

INDEX

<u>SECTION</u>	<u>PAGE</u>
Body Mounting	28
Bonnet	87
Boot & Rumble Parts	112
Brake Parts	8
Bumper Related	94
Clutch Parts	49
Cowl Parts	99
Dash Related & Sun Visor	97
Decals & ID Plates	3
Diff Parts	26
Door Parts	100
Electrical	63
Engine Parts	32
Fender & Running Board	85
Floor	114
Ford Books	2
Front Suspension	14
Fuel	59
Gearbox Parts	43
Hardware	121
Head Tail & Park Lights	71
Horn Battery & Grommets	84
Interior Lights & Jewels	83
Mirrors	93
Patch Panels	116
Radiator, Grill & Bonnet	51
Roof Door & Window Seals	107
Shock Absorbers	96
Speedo & Wiper	91
Spring Shackle Parts	29
Steering Parts	20
Trim Clips	119
Upholstery	123
Wheel & Hub Related	4
Windscreen Parts	111
Window Channel	105

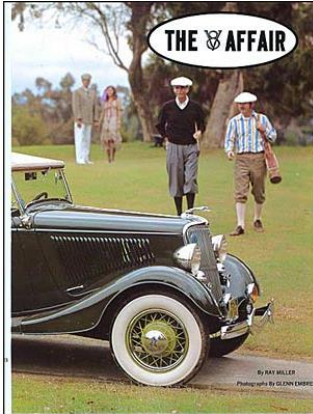


**THANK YOU FOR CHOOSING AJAY'S FORD V8 PARTS**

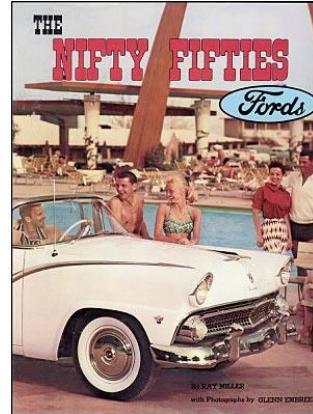
WE CONSTANTLY STRIVE TO OFFER ENTHUSIASTS THE BEST QUALITY AND SELECTION OF PARTS AVAILABLE FROM AROUND THE WORLD TO MAKE YOUR RESTORATION AN ENJOYABLE HOBBY AND EXPERIENCE.

## FORD BOOKS

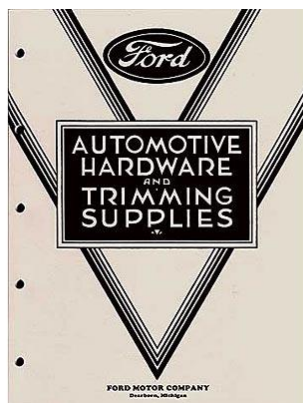
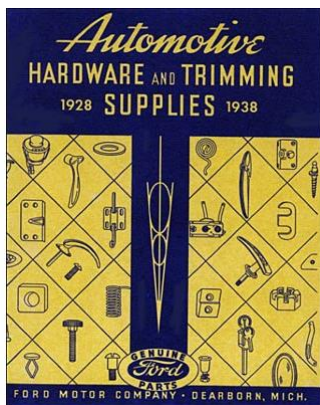
Ajay's has a vast and various selection of Ford Books available, many are in stock and others are available on request from America. Our range includes Glove box Manuals, Operators Manuals, Service & Repair Books, Workshop Manuals, Sales Brochures and Historical & Illustrated Books.



Authored by Ray Miller, these books track each model from drawing board to showroom to customer. Overflowing with black and white photos of the cars, Ray's books document styling changes from year to year, and shows optional equipment and differences in trim. The Ford road series is the most thoroughly informative and most intensely illustrated reference collection available for these cars.



BK	101663	The V8 Affair development of the V8	303pgs	VB81	1932-42	130.00
BK	101722AE	The Nifty Fifties Fords	320pgs	VB1001	1946-59	130.00



### Automotive Hardware & Trimming Supplies

### Ford & Mercury Service Manuals

BK		Automotive Hardware & Trimming	168pgs	PF2	1928-38	
BK		Automotive Hardware & Trimming	68pgs	PF3	1928-34	
BK	101609C	Repair manual Ford & Mercury V8 engine	64pgs	VB10	1937-48	
BK	101610c	Ford Owner's manual instruction	64pgs	VB11	1934	
BK	101611	Engine & Chassis Repair manual	48pgs	VB13	1932-36	
BK	101613	Engine & Chassis Repair manual	44pgs	VB15	1939-40	
BK		Ford Reference Book 85 Hp engines	64pgs	VB21	1938	
BK	101631 C	Refurbishing manual for Early Ford V8 Cars	36pgs	VB25	1937-48	
BK	102124 C	Ford Pick ups Restoration Guide	140pgs	VB88	1932-52	
BK	120866 B	The Complete Ford Owners R & M manual	224pgs	VB123	1932-55	
BK	101994	Rebuilding the Famous Ford Flathead	140pgs	VB124	1932-53	
BK		Ford Flathead V8 Builders Handbook	154pgs	VB160	1932-53	
BK	112241 C	Ford shop service manual -Blue Book	240pgs	VB224	1932-41	
BK	112221 C	Ford shop service manual-Green Book	475pgs	VB222	1939-48	
BK		Fuel System Repair manual	60pgs	VB240	1938-48	

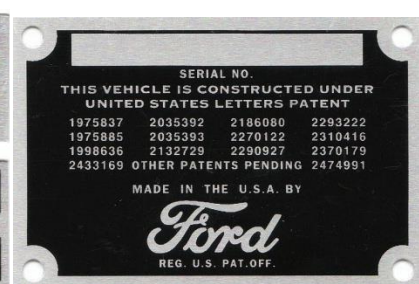
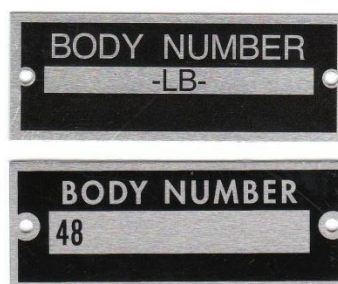
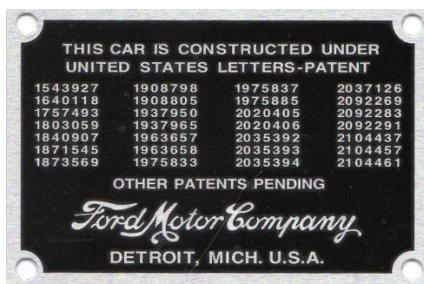
## DECALS

DF1	Decal	Dry style air cleaner	1934-36
DF2	Decal	Dry style air cleaner	1937-38
DF3	Decal	Oil filler/breather cap	1935-36
DF4	Decal	Oil bath air cleaner	1939-41
DF5	Decal	AC oil filter	1935-49
DF6	Decal	Hat style dry air cleaner	1939-41
DF26	Decal	Air cleaner oil Caution	1932-48
DF27	Decal	Fan blade oil	1942-48
DF28	Decal	Oil bath air cleaner	1942-48
DF64	Decal	Fram oil filter	1939-51
DF65	Decal	Air cleaner oil	1935-40
DF70	Decal	Valve cover 272 pair	1955
DF128	Decal	Oil Grade & Tire Pressure	1946-48
DF462	Decal	Oil bath air cleaner	1937-38
DF739	Decal	Dry style air cleaner	1946-48



## IDENTIFICATION PLATES

A	18650	Patent plate		1928-31
B	18650	Patent plate		1932-34
48	18650	Patent plate		1935-36
78	18650	Patent plate		1937-39
01A	18650	Patent plate		1940-48
8A	18650	Patent plate		1940-48
99A	18650	Patent plate	Mercury	1939-48
ID	18650	VIN number plate	chassis & engine number	
40	18651	Body number plate	includes rivets	1933-34
48	18651	Body number plate	includes rivets	1935
68	18651	Body number plate	includes rivets	1936
78	18651	Body number plate	includes rivets	1937
B8A	18651	Body number plate		1955-61
21C	18651 NZ	Body number plate	New Zealand built Ford	

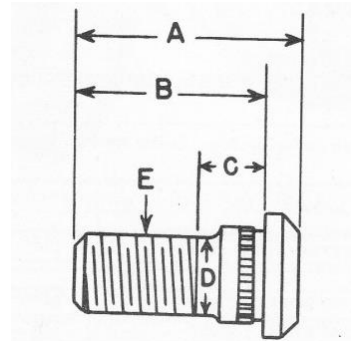




## WHEEL & HUB RELATED

### NUTS & STUDS

B	1012	Wheel nut			pass & comm	1932-58
B	1107	Hub stud	front & rear		pass. & comm..	1928-35
B	1107	Hub stud	rear		pass. & comm..	1937
91D	1107	Hub stud	front & rear	2.18" long	pass & comm	1928-35/37
68	1107	Hub stud	front & rear	except 1947	pass. & comm.	1936-48
68	1107	Hub stud	front & rear	122"	¾ ton truck	1939-47
51A	1107	Hub stud	front	except 1948	pass. & comm	1946-48
01A	1107 A	Hub stud	front & rear	1.38" long	pass. & comm.	1940-48
			except comm.	rear 1948		
01A	1107 B	Hub stud	front & rear	1.46" long	pass. & comm.	1941-48/42-47
01A	1107 C	Hub stud	front & rear	1.48" long	pass. & comm.	1940-48/42-47
8A	1107	Hub stud	front & rear	1.38" long	pass	1949-70
8A	1107	Hub stud	front & rear	1.38" long	comm.	1948-56
8M	1107	Hub stud	front & rear	1.61" long,	pass & comm	1949/48-56
8M	1107	Hub stud	front & rear	1.61" long	Mercury	1949
C8D	1107	Hub stud	rear	1.76" long	comm. model Y	1948-51
A9AZ	1107	Hub stud	front & rear	1.784" long,	pass & comm	1949/70
BB	1119	Hub stud	rear	3.16" long	large trucks	1932-37



### BRAKE DRUMS

21A	1125	Brake Drum hub fits behind drum excludes hub	pass	1942-48
21A	1125	Brake Drum hub fits behind drum excludes hub	comm	1940-47
51A	1125	Brake Drum hub fits over drum excludes hub	pass	1942-48
51A	1125	Brake Drum hub fits over drum excludes hub	comm.	1940-47
8C	1125	Brake Drum front	F1 comm	1948-52
0A	1125	Brake Drum front	pass	1949-53
A8TZ	1125	Brake Drum front	F1 comm	1953-56
A8TZ	1126	Brake Drum rear	F1 comm	1948-60
AB	1126	Brake Drum rear	pass	1949-54



**HUBCAPS**

B	1130	SS	Stainless	V8	pass & comm.	1932
B	1130	SS	Stainless	"FORD"	pass & comm.	1932
18	1130		Stainless	V8	pass & comm.	1933
40	1130		Stainless	V8	pass & comm.	1934
48	1130		Stainless	V8	pass & comm.	1935
68	1130		Stainless	will fit 1937-39 but not correct	pass & comm.	1936
O1C	1130		Stainless	V8	pass & comm.	1940-41
O1A	1130		Stainless	"FORD DELUXE"	Deluxe	1940
O1AS	1130		Stainless	smooth baby moon	pass & comm.	1940-48
21A	1130		Stainless	"FORD" script	pass & comm.	1942-46
51A	1130		Stainless	"FORD" block letters	pass	1946
59A	1130		Stainless	MERCURY	pass	1947-48
6A	1130		Stainless	"FORD" (1947-48 pass)	comm.	1947-56
8A	1130		Stainless	"FORD"	pass	1949-51
1A	1130		Stainless		pass	1951

**BEAUTY RINGS**

6A	18303/14"	Beauty rings 14"	Stainless steel	plain
01A	18303/14"	Beauty rings 14"	Stainless steel	ribbed
6A	18303/15"	Beauty rings 15"	Stainless steel	plain
01A	18303/15"	Beauty rings 15"	Stainless steel	ribbed
6A	18303/16"	Beauty rings 16"	Stainless steel	plain
01A	18303/16"	Beauty rings 16"	Stainless steel	ribbed

**SPARE TYRE PARTS**

40	1350	Tyre cover trim ring 17"	Stainless steel	1933-34
48	1350	Tyre cover trim ring 16"	Stainless steel	1935-36
40	1351	Seal spare tyre cover		1933-36
68	1351	Seal spare tyre lock ring		1936

White wall	clip on's for 600X16" tyres not suitable for radial tyres	set of 4	POA
White wall	clip on's for 590X15" tyres not suitable for radial tyres	set of 4	POA

A large range of White wall clip on's/ flappers are available upon request. We can also obtain a range of tyres to suit early models.

Price and availability are on request. Give us a call.

**GREASE CAPS**

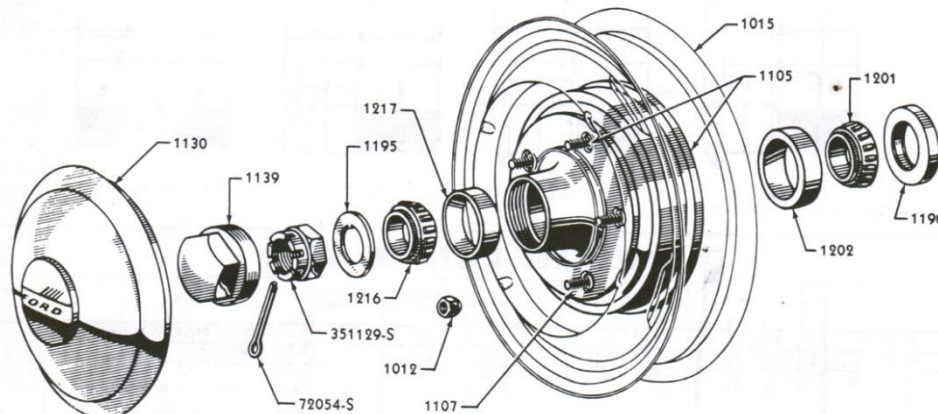
B5A	1131	Grease dust cap front wheel		Ford & Mercury	1949-59
C3AZ	1131	Grease dust cap			1960-66
B	1139	Grease dust cap front wheel	threaded	pass & comm.	1928-36
68	1139	Grease dust cap front wheel	threaded	pass & comm.	1936-45
91T	1139	Grease dust cap front wheel	threaded	trucks > 1 ton	1939-47
51A	1139	Grease dust cap front wheel	non threaded	pass	1942-51
51A	1139	Grease dust cap front wheel	non threaded	comm.	1942-56

**REAR AXEL OIL SEALS**

B	1175	Oil seal	rear hub	3.19" O/D		1928-48
78	1175	Oil seal	rear hub	2.84" O/D		1937-48
BB	1175 A	Oil seal	rear hub	4.00" O/D	large truck	1930-34
BB	1175 C	Oil seal	rear hub	4.56" O/D	large truck	1934-47
O1Y	1175	Oil seal	rear hub		¾-1 ton truck	1938-51
8D	1175	Oil seal	rear hub	3 31/64"O/D	F250 1 ton trk	1951-66
8A	1177 A	Oil seal	rear axel	for 1-3/8" shaft	pass	1949-56
OM	1177 A	Oil seal	rear axel	for 1-1/2" shaft	pass	1949-60
OM	1177 A	Oil seal	rear axel	for 1-1/2" shaft	comm.	1948-56
B7A	1177 A	Oil seal	rear axel	2.50" O/D	pass	1955-68
B7A	1177 B	Oil seal	rear axel	2.37" O/D	pass	1957-68
CODW	1177 A	Oil seal	rear axel	2 1/32"O/D	Fairline	1965
C2OW	1177 A	Oil seal	rear axel	2-5/8" O/D	Fairline	1962-67
C7OZ	1177 A	Oil seal	Specify model		pass	1967-72
C7OZ	1177 B	Oil seal	Specify model		pass	1967-72
C1DZ	1177 A	Oil seal	rear axel	2 1/16" O/D	Mustang	1964-66
C1DZ	1177 A	Oil seal	rear axel	2 1/16" O/D	Falcon	1961-67

**FRONT HUB OIL/ DUST SEAL**

B	1190	Oil/Dust seal	front hub		pass & comm.	1928-34
BB	1190	Oil/Dust seal	front hub		comm	1930-37
48	1190	Oil seal	front hub		pass & comm	1935-48
81T	1190	Oil seal	front hub		1 ton truck	1938
91T	1190	Oil seal	front hub		large truck	1939-50
O1Y	1190	Oil seal	front hub		1 ton truck	1940-47
O1Y	1190	Oil seal	front hub		F1 F2 F3	1948-60
8A	1190 A	Oil seal	front hub		pass	1949-53
B5A	1190	Oil seal	front hub		pass	1955-70
FAL	1190	Oil seal	front hub		XR Falcon	



**WHEEL BEARING RELATED**

B	1180	Snap ring	rear wheel bearing	pass & comm.	1938-48
BB	1180C	Snap ring	rear wheel bearing	large truck	1934-47
78	1180	Snap ring	rear wheel bearing except 1948 comm	3" O/D pass & comm.	1938-48
B	1183	Gasket	rear wheel hub		1928-48
B	1195	Washer	front hub		1928-70
BB	1195	Washer	front hub	comm.	1928-49
B	1225 RS	Repair housing sleeve	where housing is pitted		1928-48
68	1236 RS	Sleeve outer	fits inside hub		1937-48
8A	2245	Gasket	wheel bearing retainer	pass	1949-54

**WHEEL BEARINGS**

B	1201	Bearing	front wheel inner	pass	1928-48
B	1201	Bearing	front wheel inner	comm. ½ & ¾ ton	1928-47
BB	1201	Bearing	front wheel inner	truck	1930-37
8A	1201	Bearing	front wheel inner	pass	1949-54
O1Y	1201	Bearing	front wheel inner	F1-F3 comm	1948-56
B5A	1201	Bearing	front wheel inner	pass	1955-69
B	1202	Bearing cup	front wheel inner		1928-48
BB	1202	Bearing cup	front wheel inner	truck	1930-37
8A	1202	Bearing cup	front wheel inner	pass	1949-54
O1Y	1202	Bearing cup	front wheel inner	F1-F3 comm	1948-56
B5A	1202	Bearing cup	front wheel inner	pass	1955-69
B	1216 T	Bearing	front wheel outer	pass	1928-48
B	1216 T	Bearing	front wheel outer	comm. ½ & ¾ ton	1928-47
BB	1216	Bearing cone	front wheel outer	pass & comm.	1949-54
8A	1216	Bearing cone	front wheel outer	pass	1949-54
8A	1216	Bearing cone	front wheel outer	F1 F2 F3	1948-54/56
B5A	1216	Bearing cone	front wheel outer	pass	1954-69
B	1217	Bearing cup	front wheel outer	pass	1928-48
B	1217	Bearing cup	front wheel outer	comm. ½ & ¾ ton	1928-47
BB	1217	Bearing cup	front wheel outer	truck	1930-37
8A	1217	Bearing cup	front wheel outer	pass	1949-54
8A	1217	Bearing cup	front wheel outer	comm. F1 F2 F3	1948-56
B5A	1217	Bearing cup	front wheel outer	pass	1955-69

**REAR AXEL BEARINGS**

B	1225	Bearing	rear axel	pass & comm	1928-36
BB	1225	Bearing	rear axel	large truck	1930-34
68	1225	Bearing	rear axel	pass & comm.	1937-48
8A	1225 A	Bearing	rear axel	pass	1949-56
8M	1225 A	Bearing	rear axel	F1 F100	1948-70
8M	1225 A	Bearing	rear axel heavy duty diff	pass	1949-64
B7AZ	1225	Bearing	rear axel	pass	1957-65



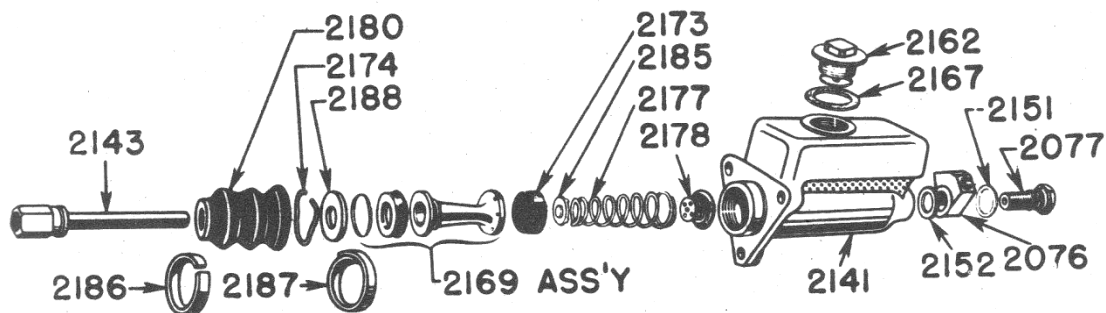
68 1225



## BRAKE PARTS

### MASTER CYLINDER ASSEMBLES

91A	2140	Master cylinder assembly		pass	1939-48
91A	2140	Master cylinder assembly		comm.	1939-52
91T	2140	Master cylinder assembly		1-1/2 ton comm.	1939-48
A9	2140	Master cylinder assembly	RHD	pass	1949-51
B3C	2140	Master cylinder assembly		F100 comm	1953-56
B3T	2140	Master cylinder assembly		truck	1953-56
B5A	2140	Master cylinder assembly	non power brakes	pass	1952-56
B7A	2140	Master cylinder assembly	non power brakes	pass	1957-60
C3AZ	2140	Master cylinder assembly		pass	1960-65



### MASTER CYLINDER RELATED

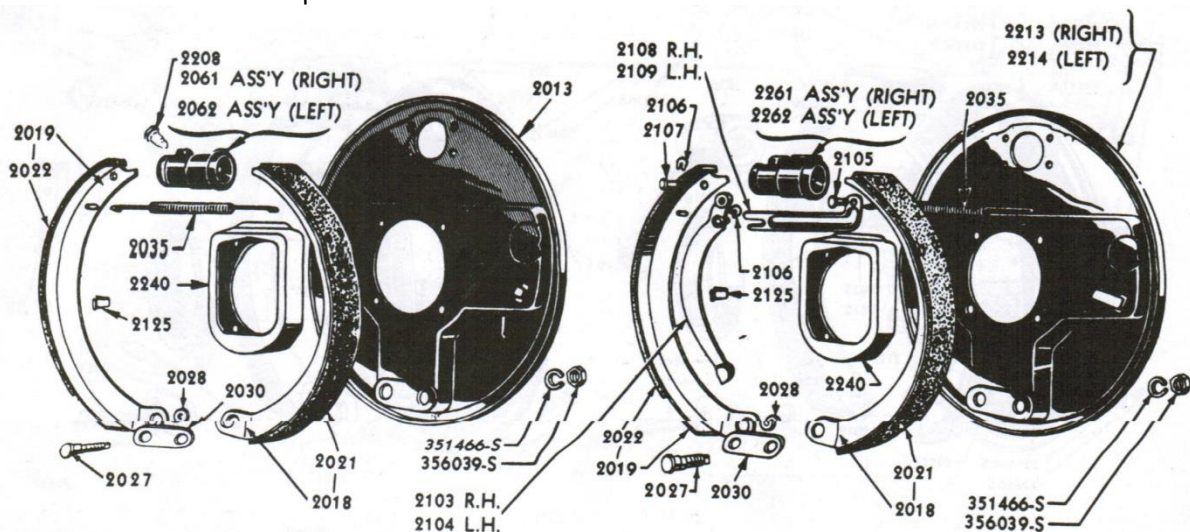
91A	2004	Master cylinder repair kit		pass & comm.	1939-48
91A	2004	Master cylinder repair kit		F1 & F100	1939-56
91T	2004	Master cylinder repair kit		trucks 1 1/2 ton up	1939-47
8A	2004	Master cylinder repair kit		pass	1949-51
B5A	2004 A	Master cylinder repair kit	without power brake	pass	1952-64
B7A	2004	Master cylinder repair kit	with power brakes	pass	1957-59
COAZ	2004 B	Master cylinder repair kit	with power brakes	pass	1960-62
COAZ	2004 C	Master cylinder repair kit	without power brakes		1960-62
91A	2076	Master cylinder outlet fitting		pass & comm	1939-40
91T	2076	Master cylinder outlet fitting		comm. & lg truck	1942-49
91A	2143	Push rod master cylinder		comm.	1939-56
91A	2143	Push rod master cylinder		pass	1939-48
91T	2143	Push rod master cylinder		truck	1939-48
AB	2143 C	Push rod master cylinder		pass	1952-56
91A	2162	Filler cap master cylinder		pass & comm.	1939-48/56
AB	2162	Filler cap master cylinder		pass	1952-59
8C	2162	Filler cap master cylinder		comm. & truck	1948-52
91A	2180	Rubber master cylinder to rod		pass & Comm.	1939-48
91T	2180	Rubber master cylinder to rod			1939-49
91A	2205	Rubber master cylinder to rod		pass & Comm.	1939-48
91A	2462	Rod brake pedal to master cylinder 1.25" long		pass	1939-48
91A	2462	Rod brake pedal to master cylinder 1.25" long		comm.	1939-41
91T	2462	Rod brake pedal to master cylinder 2" long		truck	1939-47
91A	7011136	Master cylinder cover plate			1939-52
BAAA	7011136	Master cylinder cover plate			1953-56
91A	2077 A	Bolt master cylinder outlet fitting			1939-48/51

**BRAKE PARTS**

## NEW EXCHANGE BRAKE SHOES (MOST MODELS) AVAILABLE

91A	2028	Cam for brake shoe	round front & rear		1939-45
51A	2028	Cam for brake shoe	front & rear		1946-48
92Y	2028	Cam for brake shoe	front	large trucks except 1 ton	1939-47
92Y	2028	Cam for brake shoe	rear	1 ton truck	1939-47
91T	2030 A	Plates brake shoe anchor		large truck	1939-47
B	2035	Shoe retracting spring	front & rear	pass & comm.	1928-34
91A	2035	Shoe retracting spring	front & rear	pass & Comm	1939-48
92Y	2035	Shoe retracting spring	front & rear	1 ton Com truck	1939-52
8A	2035	Shoe retracting spring	front & rear	pass	1949-54
8M	2035	Shoe retracting spring	front & rear	pass & comm.	1955-59/-63
48	2050	Brake operating wedge	front & rear	pass & comm.	1935-36
C8TZ	2065	Brake drum hardware kit	front & rear	pass & comm	1971-72/79
78	2066	Spring & cap brake shoe retainer	front & rear	pass & comm.	1937-38
78	2069	Pin for brake shoe retainer spring	front & rear	pass & comm.	1937-38
81T	2069	Pin for brake shoe retainer spring	front & rear	large trucks	1938
91A	2074	Tee fitting rear brake pipe			1939-41
91T	2074	Tee fitting rear brake pipe		large trucks except 1 ton	1939
99A	2075	Tee fitting rear brake pipe	Mercury	pass & comm	1939-48
91T	2080	Connection front brake cylinder inlet		trucks over 1 ton	1939-47
48	2082	Bush brake shaft			1928-36
78	2108	Brake shoe adjusting shaft			1937-38
91A	2119	Brake cable equalizer		pass	1939-48
92Y	2125	Spring brake shoe retainer	front & rear	trucks over 1 ton	1939-47
91A	2133	Nut brake pipe		all models	1939-48
91A	2150	Bolt connects front brake hose to brake pipe union		pass	1939-48
91A	2150	Bolt connects front brake hose to brake pipe union		Comm.	1939-41
8M	2150	Bolt connects front brake hose to brake pipe union		pass	1949-51
8M	2248	Bolt brake backing plate to rear axel		pass	1949-54
8A	2256	Gasket brake backing plate rear		pass	1952-59
91T	2276	Bolt rear wheel brake cylinder connection		trucks exc 122"	1939-47
B	2460	Clevis pin rear brake cable equalizer		pass	1939-48
B	2460	Clevis pin rear brake cable equalizer		comm.	1939-41
B	2461	Clevis to suit			1932-38
48	2466	Clevis for brake cross shaft			1935-38

Brake shaft bushes – see part number 7508

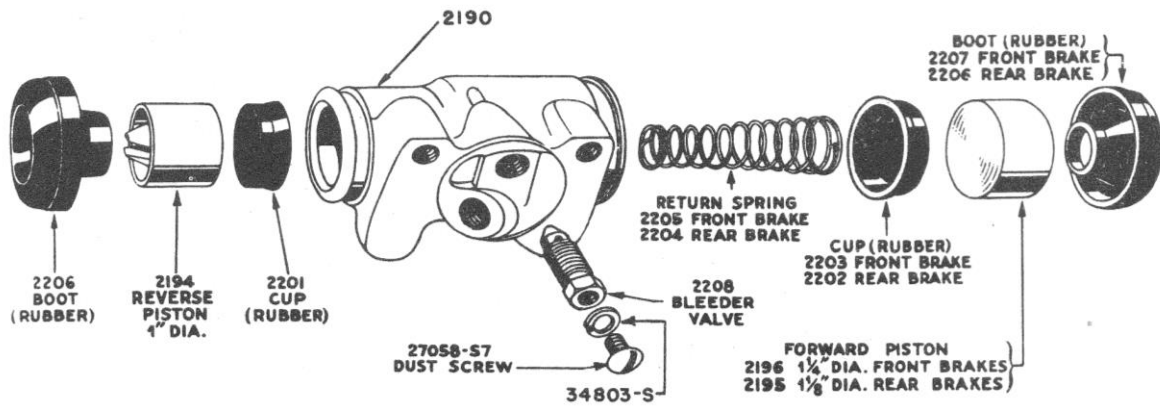


**BRAKE ENERGISER KIT**

18	2051	Brake energizer kit set of 4		pass & comm.	1932-34
V	2043	Brake energizer kit set of 4 (makes your brakes work like hydraulics)		pass & comm.	1935-38
91A	2035	Energizer kit requires 4 later model 91A 2035 springs as well			

**WHEEL CYLINDERS**

21A	2061	Wheel cylinders	front right	pass & comm.	1939-48
21A	2062	Wheel cylinders (used as replacement for original 1939-40)	front left	pass & comm	1939-48/54
91A	2261	Wheel cylinders	rear right	pass & comm.	1939-41
91A	2262	Wheel cylinders	rear left	pass & comm.	1939-48
91T	2261	Wheel cylinders	rear	trucks over 1 ton	1939-51
92Y	2261	Wheel cylinders	rear(1 ton) & front (over 1 ton)		1939-47
8C	2061	Wheel cylinders	front right	F1 & F100 comm	1948-60
8C	2062	Wheel cylinders	front left	F1 & F100 comm	1948-60
AD	2061 D	Wheel cylinders	front right	pass exc 1957-59	1949-69
AD	2062 D	Wheel cylinders	front left	pass exc 1957-59	1949-54
B7A	2061	Wheel cylinders	front right	pass	1957-59
B7A	2062	Wheel cylinders	front left	pass	1957-59
8A	2261	Wheel cylinders	rear right	pass	1949-64
8A	2261	Wheel cylinders	rear right	F100 comm	1955-72
8A	2262	Wheel cylinders	rear left	pass	1949-64
8A	2262	Wheel cylinders	rear left	F100 comm	1955-72
8M	2261	Wheel cylinders	rear right	F1 comm	1948-54
8M	2262	Wheel cylinders	rear left	F1 comm	1948-54





**WHEEL CYLINDER KITS & PARTS**

8M	2208	Screw for brake cylinder bleeder front & rear pass comm. & 1 ton			1939-48
8T	2208	Screw for brake cylinder bleeder trucks over 1 ton			1948-51
91A	2195	Piston wheel cylinder	1 1/8" dia	pass & comm.	1939-48
91A	2196	Piston wheel cylinder	1 1/4" dia	pass	1939-40
92Y	2196	Piston wheel cylinder	1 3/8" dia	pass & comm.	1941-48
91T	2196	Piston wheel cylinder	1 1/2" dia	large truck	1939-47
91A	2128	Wheel cylinder kit	rear		1939-48
91T	2128	Wheel cylinder kit	rear	large truck	1942-47
8A	2128	Wheel cylinder kit	rear	pass	1949-56
B2A	2128	Wheel cylinder kit	rear		1952-54
A8C	2128	Wheel cylinder kit	rear	F1 & F100 comm	1948-67
8A	2128	Wheel cylinder kit	rear	F100 comm	1955-72
91A	2221	Wheel cylinder kit	front		1939-41
21A	2221	Wheel cylinder kit		pass & comm.	1942-48
91T	2221	Wheel cylinder kit	front	large truck	1940-47
AD	2221	Wheel cylinder kit	front 1 1/8"	pass	1949-56
C3OZ	2221 C	Wheel cylinder kit	front	pass	1963-67
8C	2221	Wheel cylinder kit	front 1 1/6"	F1 & F100 comm	1948-67

**BRAKE HOSES**

91A	2078	Brake hose	rear	except 1942-47 comm	1939-48
O1T	2078	Brake hose	rear	comm. & large truck	1942-47/60
99A	2079	Brake hose	front	pass	1939-48
8A	2078	Brake hose	rear	pass	1949-51
B4AZ	2078	Brake hose	rear	pass	1952-56
8A	2078 C	Brake hose	rear	F 1 & F100 comm	1948-60
8A	2079	Brake hose	front	pass	1949-53
B4AZ	2078	Brake hose	front	pass	1954-57
B7AZ	2078	Brake hose	front	pass	1957-64
8C	2079	Brake hose	front	F1 comm	1948-52
TAAA	2078	Brake hose	front	F1 & F100 comm	1953-56
B7C	2078	Brake hose	front	F1 & F100 comm	1957-60
8A	2079	Brake hose	front	comm.	1961-64

**HAND BRAKE CABLES**

91A	2275	Hand brake cable	rear		1939-41
99A	2275	Hand brake cable	rear	Mercury	1939
21A	2275	Hand brake cable	rear	pass	1942-48
21C	2275	Hand brake cable	rear	2 required comm.	1942-47
O1C	2853	Hand brake cable	front	comm. also 1939 pass	1939-41
11A	2853	Hand brake cable	front	pass	1941-48
78	2853	Hand brake cable	front	pass	1937-38
21C	2853 Q	Hand brake cable	front	comm.	1942-47
B1TZ	2A635A	Hand brake cable	rear	2 required comm.	1948-52
2C	2853	Hand brake cable	front	comm.	1948-52
B5A	2853	Hand brake cable	front	pass	1952-56
B5A	2635	Hand brake cable	rear	pass	1954-56
B7A	2853	Hand brake cable	front		1957
B7A	2635	Hand brake cable	rear		1957

**HAND BRAKE PARTS**

91A	2105	Pin for hand brake lever link	pass	1939-48
91A	2105	Pin for hand brake lever link	comm.	1939-47
91A	2106	Retainer for hand brake pin		1939-59
91A	2271	Grommet for hand brake cable on rear radius rod		1939-40
91A	2272	Strap for hand brake cable grommet		1939-40
91A	2273	Grommet hand brake cable		1939-40
91T	2489	Clevis pin brake pedal 1.64" long	trucks exc 1 ton	1939-47
91A	2597	Boot Hand brake cable rear		1939-48
51	2786	Pawl hand brake cable	trucks exc 122	1932-47
91A	2786 B	Pawl hand brake lever	comm.	1939-48
91A	2790	Sector hand brake lever	pass	1939-40
91A	2790	Sector hand brake lever	comm.	1942-47
O1T	2795	Sector hand brake lever	truck exc 1 ton	1940-47
78	2814	Clip hand brake lever		1937-48
91A	2484	Clevis hand brake lever	comm. & 1 ton	1939-47
91A	2484	Clevis hand brake lever	pass	1939-41

**CLUTCH & BRAKE PEDALS & RELATED**

ALL PEDALS SOLD PER EACH

B	2454	Pedal clutch & brake	star back pyramid design		1932
40	2454	Pedal clutch & brake	pyramid design		1933-36
78	2454	Pedal clutch & brake	pyramid design		1937-40
11A	2454	Pedal clutch & brake	circular design	pass	1941-48
11A	2454	Pedal clutch & brake	circular design	comm. & lg truck	1941-56
AB	2454	Pedal clutch & brake	manual	pass	1952-65
8A	2454	Pedal clutch & brake		pass	1949-51
B7C	2457	Pedal clutch & brake		comm.	1957-62
B	35184	Bumper clutch & brake pedal		pass	1932-34
B	35184	Bumper clutch & brake pedal		comm.	1948-52
48	700386	Bumper clutch & brake pedal			1935-38
7C	2473	Bumper clutch & brake pedal arm (goes in hole under floor boards)		C	1948-56
91A	2476 S	Seals clutch & brake pedal arm			1939-48
8A	2476 A	Seals clutch & brake pedal arm		pass	1949-51
48	7001730	Seal steering tube & pedal		pass	1935-38



40 2454

B 2454



B7C 2457

AB 2454

**BRAKE ANTI RATTLERS**

B	2502	Brake rod anti rattler	front		1932-34
48	2502	Brake rod anti rattler	front		1935-36
B	2503	Brake rod anti rattler	rear	pass & comm.	1932
40	2503	Brake rod anti rattler	rear		1932-34
48	2503	Brake rod anti rattler	rear		1935-36



Please Contact Ajay's Ford V8 Parts for up to date Prices

[info@fordv8parts.com](mailto:info@fordv8parts.com)

07 212 8742



## FRONT SUSPENSION

### AXEL BUMPERS

B	3020	Axel bumper	front	pass & comm.	1932-34
48	3020	Axel bumper	front	pass & comm.	1935-38
51	3020	Axel bumper	front	truck over 1 ton	1935-39
91A	3020	Axel bumper	front	pass & comm.	1938-40
11A	3020	Axel bumper	front	pass & comm.	1941-42
21C	3020	Axel bumper	front	comm.	1942-47
51A	3020	Axel bumper	front	pass	1945-48
B	5783	Axel bumper	rear	pass	1932
40	5783	Axel bumper	rear	pass	1933-34
48	5783	Axel bumper	rear	pass & comm.	1935-38
91A	5783	Axel bumper	rear	pass & comm.	1939-40
1A	5783	Axel bumper	rear	pass	1949-51
11A	3020	Axel bumper	front	pass	1941-48
11A	3020	Axel bumper	rear	comm.	1948-54
7RC	3020	Axel bumper	front	comm.	1948-56
AB	3019	Bumper lower support for "A" frame		pass	1949-52
B5A	3019 A	Bumper lower support for "A" frame		pass right side	1954-57
B5A	3020 A	Bumper lower support for "A" frame		pass left side	1954-57
B7A	3019 A	Bumper lower support for "A" frame		pass	1957
B8A	3019 A	Bumper lower support for "A" frame		pass	1958
8A	3025	Bumper upper arm		pass	1949-53
B4AZ	3020	Bumper upper arm		pass	1954-57
COAZ	3020	Bumper upper arm		pass	1957-63



B 3020



48 3020



51A 3020



91A 3020

**KING PIN SET**

B	3111	King pin set		pass & comm.	1932-34
48	3111	King pin set		pass & comm.	1935-36
51	3111	King pin set		large truck	1935-37
78	3111	King pin set		pass & comm.	1937-41
21A	3111	King pin set		pass	1942-48
21A	3111	King pin set		comm. F1 F2 F3	1942-52
21A	3111 010	King pin set	010 oversize		1942-52
BB	3111	King pin set		large trucks	1930-34
81T	3111	King pin set		large trucks	1938-51
B3C	3111	King pin set		comm.F1 F2 F250	1953-56
B7C	3111	King pin set		F1 - F250	1957-64
8A	3111	King pin set		pass	1949-53
ET6	3111	King pin set		English trucks	1946-50

**KING PIN PARTS**

11A	3109	Bush king pin			1928-41
21A	3109	Bush king pin			1942-48
B	3123	Thrust bearing king pin		pass & comm.	1928-48/52
BB	3123	Thrust bearing king pin		truck	1930-37



48 3111



21A 3111

**SPRING PERCH BOLTS**

BB	3030	Spring perch bolts	front		large trucks	1930-34
40	3030	Spring perch bolts	front		pass	1932-34
48	3032	Spring perch bolts	front		pass & comm.	1935-36
51	3032	Spring perch bolts	front		large trucks	1935-37
78	3032	Spring perch bolts	front			1937-39
21A	3040	Spring perch bolts	front			1942-48
O1A	3032 C	Spring perch bolts	front	right hand	comm.	1940-41
O1A	3033 C	Spring perch bolts	front	left hand	comm.	1940-41
B	3036	Nut perch bolt			all models	1928-48
81T	3036	Nut perch bolt			large trucks	1938-39





**BALL JOINTS**

B5A	3049	Ball joint	upper		pass	1954-56
B7A	3049	Ball joint	upper		pass	1957-64
C7OA	3049 A	Ball joint	upper 4 bolt	Mustang		1964-73
C7OZ	3049 A	Ball joint	upper 4 bolt	Fairline		1962-69
B5A	3050	Ball joint	lower		pass	1949-56
B7A	3050	Ball joint	lower except	1962-64 Compact	pass	1957-64
C5AZ	3050	Ball joint	lower	full size	pass	1965-72
C7AZ	3078 E	Ball joint suspension arm assy	lower	Mercury	pass	1965-72

**CONTROL ARM BUSHES**

B4A	3087	Bush control arm	upper inner	rear 1 per side		1954-56
LA	3068	Bush control arm	upper inner	front 1 per side		1954-56
COAA	3069	Bush control arm	lower inner	front & rear		1945-59
C2OZ	3069	Bush control arm	lower inner	compact Fairline		1962-65
C1AA	3069	Bush control arm	lower inner	Fairline		1961-63
AJ	3068	Bush control arm	upper inner			1957-59
C1AA	3068	Bush control arm	upper inner	threaded bush		1958-64

**TIE ROD ENDS**

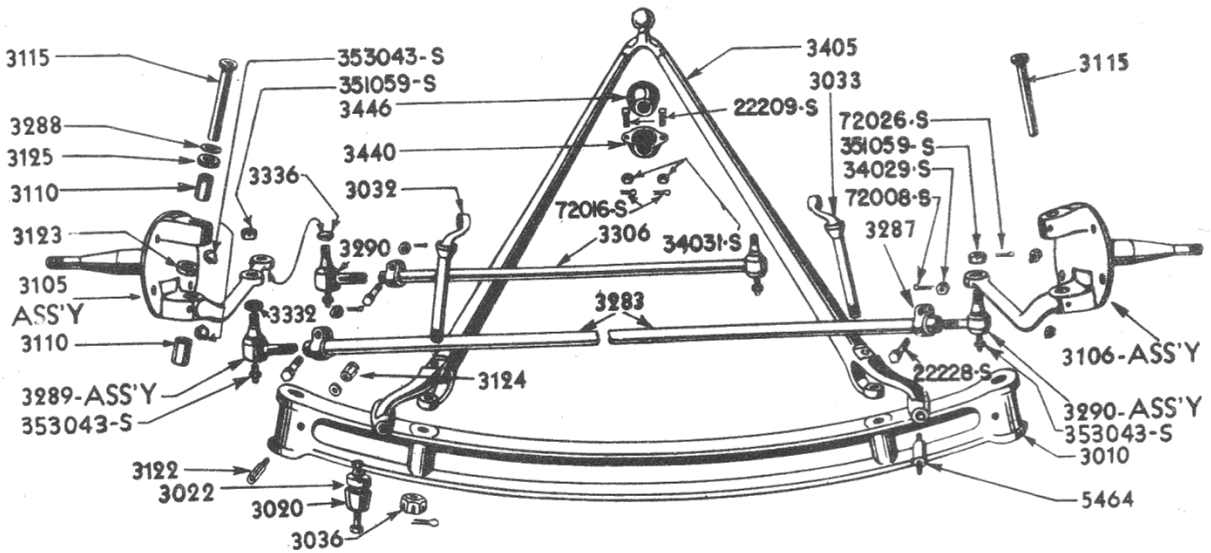
11A	3270	Tie rod end	right hand thread	pass & comm		1935-48
11A	3271	Tie rod end	left hand thread (also	end of drag link)		1935-65
11A	3271	Tie rod end	left hand	1/2 – 1 ton comm		1935-48
11A	3289	Tie rod end	right hand	pass & comm.		1935-48
11A	3289	Tie rod end	right hand	1/2 - 1 ton comm.		1948-64
11A	3290	Tie rod end	outer left hand	pass		1935-59
11A	3290	Tie rod end	left hand	1/2 - 1 ton comm.		1935-59
7RT	3289	Tie rod end	right hand	large truck		1935-48
7RT	3290	Tie rod end	left hand	large truck		1935-48
8A	3280	Tie rod end	inner right hand	pass		1949-51
AB	3280	Tie rod end	inner right hand	pass		1952-53
AD	3280	Tie rod end	inner right hand	pass		1954-56
B7A	3280	Tie rod end	inner right hand	pass		1957-58
B9A	3280	Tie rod end	inner right hand	pass		1959
8A	3281	Tie rod end	inner left hand	pass		1949-51
AD	3281	Tie rod end	inner left hand	pass		1954-46
B7A	3281	Tie rod end	inner left hand	pass		1957-58
B9A	3281	Tie rod end	inner left hand	pass		1959
C5ZZ	3A130C	Tie rod end	outer L/H V8 power steering only	Mustang		1964-66
C5ZZ	3A130D	Tie rod end	outer R/H V8 power steering only	Mustang		1964-66
C5ZZ	3A130D	Tie rod end	outer R/H & L/H V8 manual steering	Mustang		1964-66
C3DZ	3A130A	Tie rod end	outer R/H & L/H 6cyl manual steering	Mustang		1964-66
C7ZZ	3A130A	Tie rod end	outer R/H & L/H	Mustang		1967-70
D1ZZ	3A130A	Tie rod end	outer R/H & L/H	Mustang		1971-73

**TIE ROD RELATED**

40	3312 S	Kit all internal parts for 2 tie rod ends or draglink ends		1928-34
B	3332	Seal	tie rod & draglink end	1932-34
78	3332	Seal	tie rod & draglink end	1935-60
81T	3332	Seal	tie rod & draglink end	trucks over 1 ton 1938-49
48	3352	Seal	for tie rod end	1935-56
B	3333	Cap	tie rod end	1932-34
81T	3333	Cap	tie rod end	trucks over 1 ton 1938-49

**STRUT ROD BUSH KITS**

C2OA	3A140	Bushing kit	strut rod	Mustang	1964-73
C2OA	3A140	Bushing kit	strut rod	Fairlane	1962-65
C6A	3A140	Bushing kit	strut rod	Fairlane	1966-72



**DRAG LINK & PARTS**

8A	3304	Drag link assembly	pass	1949-51
AB	3304	Drag link assembly	manual steering pass	1952-53
81T	3305 RK	Repair Kit drag link	large trucks	1938-47
11Y	3306A	Drag link assembly	pass & comm.	1935-41
21A	3306	Drag link assembly	pass, comm. & 122 truck	1942-48
11A	3310	Coupling sleeve drag link		1935-48
C2OZ	3310	Coupling sleeve drag link adjusting manual steering	pass	1962-65
B	3311	Stud drag link ball		1932-34
81T	3311	Stud drag link ball	large trucks	1938-47
7RC	3336	Boot drag link end		1948-52
A8TZ	3A533S2	Drag link end kit both sides (kit does 1 end only)	F1 – F3 comm	1948-56
B2AZ	3533 A	Drag link end kit (Pitman arm end)		1952-59

**IDLER ARM KITS**

A9A	3352	Idler arm kit	manual steering	pass	1949-51
B2A	3352	Idler arm kit	manual steering	pass	1952-54
B3A	3352	Idler arm kit	power steering	pass	1953
B4A	3352	Idler arm kit	power steering	pass	1954-60
B5A	3352	Idler arm kit	manual steering	pass	1954-56
B7A	3352	Idler arm kit	manual steering	pass	1957-59
C5ZZ	3350	Idler arm kit	power steering	Mustang	1964-66
C7ZZ	3350 A	Idler arm kit	power steering	Mustang	1967-70
C7ZZ	3350 B	Idler arm Kit	manual steering	Mustang	1967-70
C5ZZ	3352	Idler arm kit	manual & power steering	Mustang	1964-66
D3ZZ	3352 A	Idler arm kit	manual & power steering	Mustang	1971-73

**IDLER ARM BUSHES**

C3AZ	3365 A	Bush idler arm	kit	Fairline	1961-65
C3DZ	3356 A	Bush idler arm	power steering	Mustang	1964-66
C5ZZ	3356 A	Bush idler arm	manual steering	Mustang	1964-66
C3AZ	3358 A	Bush idler arm	lower	Fairline	1961-65
C7ZZ	3358 A	Bush idler arm	manual steering	Mustang	1967-72
C7ZZ	3358 B	Bush idler arm	power steering	Mustang	1967-72
8A	3359	Seal Idler arm		pass	1949-59

**RADIUS ROD PARTS**

B	3440	Cap front radius rod		pass & comm.	1932-41
99A	3440	Cap front radius rod		Mercury	1939
B	3446	Radius rod rubber ball			1932-40
99A	3446	Radius rod rubber ball		Mercury	1939
11A	3446	Radius rod rubber ball			1941-48



B 3311  
Drag Link Ball



11A 3446

99A 3446

Please Contact Ajay's Ford V8 Parts for up to date Prices

[info@fordv8parts.com](mailto:info@fordv8parts.com)

07 212 8742

## STEERING PARTS

STEERING BOX KITS MADE TO ORDER PENDING  
 AVAILABILITY OF PARTS  
 PRICE ON APPLICATION

### STEERING COLUMN PARTS

B5S	3512 A	Grommet steering column to dash		Mustang	1965-67
40	3513	Seal steering column & pedals to floor		pass & Comm	1933-34
11A	3513	Seal steering column & floor		pass	1941-48
19A	3513	Seal steering column & floor		pass & Mercury	1941-48
7C	3513 A	Seal steering column to floor mat		comm.	1948-52
BAAA	3513 A	Seal steering column & pedals to floor		comm.	1953-56
C7TZ	3513 B	Seal steering column & floor		comm	1967-76
BB	3517	Bush steering column	upper	trucks over 1 ton	1932-47
40	3517	Bush steering column	upper		1933-41
B	3517	Bush steering column	upper	pass & comm.	1932
B	3517	Bush steering column	upper	comm.	1940-41
21A	3517	Bearing steering column	upper	pass	1942-54
21A	3517	Bearing steering column	upper	comm.	1942-56
C3AZ	3517 A	Bearing steering column	upper	pass	1963-
21A	3518	Sleeve steering column to shaft		pass	1942-48
21A	3518	Sleeve steering column to shaft		comm.	1942-56

### STEERING BOX KITS

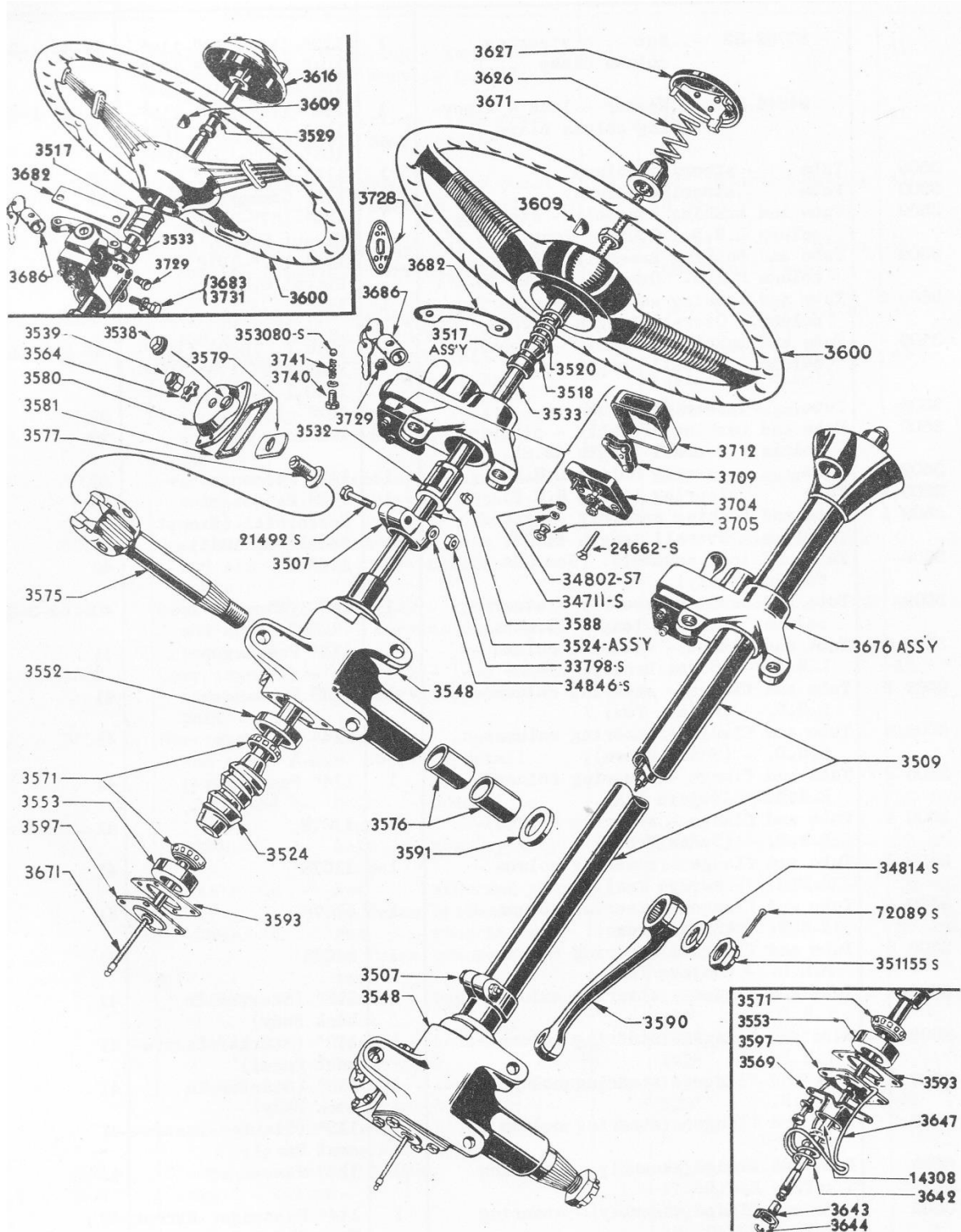
Steering box kits do vary between years with contents but generally include worm, sector repair kit, cups and bearings, seal, sector bushes & gasket set.

8A	KIT	Steering box kit	right hand drive	pass	1949-51
B2A	KIT	Steering box kit	right hand drive	pass	1952-53
B4A	KIT	Steering box kit	right hand drive	pass	1954-56
7C	KIT	Steering box kit	right hand drive	comm.	1948-50
B6C	KIT	Steering box kit	right hand drive	comm.	1953-56

These products will be priced according to the availability at the time of inquiry.







**STEERING WORMS & RELATED**

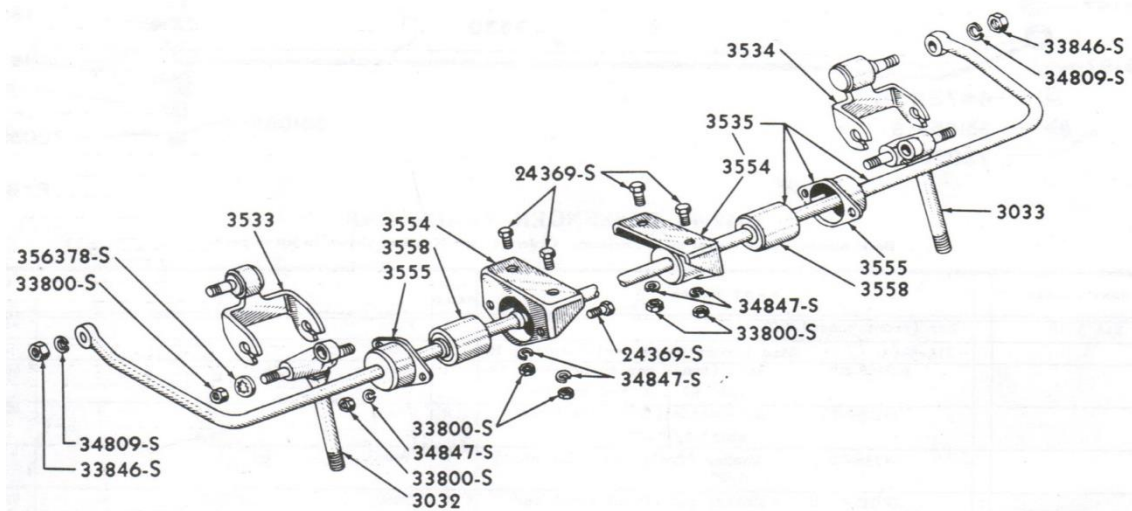
40	3524	Steering worm RHD less shaft		1933-34
78F	3524	Steering worm RHD less shaft pass & comm. (also 1948 pass)		1937-56
8A	3524	Steering worm RHD specify year	pass	1949-56
B6C	3524	Steering worm RHD specify year	comm.	1948-56
B	3538	Plug steering box oil filler	pass & comm. (except 1948)	1932-48
B	3538	Plug steering box oil filler	large trucks except 122"	1940-47
68	3553	Cup for steering worm bearing upper		1932-36
B	3552	Cup for steering worm bearing upper	pass	1937-59
B	3552	Cup for steering worm bearing upper	comm.	1937-60
B	3552	Cup for steering worm bearing lower		1929-36
BB	3553	Cup for steering worm bearing lower	trucks	1932-47
8A	3553	Cup for steering worm bearing lower		1937-48
8A	3553	Cup for steering worm bearing lower	comm	1937-60
B	3571	Bearing steering worm upper & lower		1932-35
BB	3571	Bearing steering worm upper & lower	large trucks	1929-37
68	3571	Bearing steering worm upper & lower	pass	1936-57
68	3571	Bearing steering worm upper & lower	comm.	1948-60
O1T	3571	Bearing steering worm upper & lower	trucks over 1 ton	1938-47



B 3524 RH



68 3524 RH



1941 PASSENGER STABILIZER

**STEERING SECTOR RELATED**

68 3571



8A 3575 X

B	3575	Sector shaft		1932-34
7RTF	3575	Sector shaft	truck over 1 ton	1948-51
78	3575 X	Sector shaft repair kit *	pass & comm.	1937-47/48
8A	3575 X	Sector shaft repair kit*	pass	1949-53
		* (contains roller, bearings, thrust & pins)		
68	3576	Bushing steering sector shaft	pass & comm.	1936
68	3576	Bushing steering sector shaft	pass & comm.	1949-56
78	3576	Bushing steering sector shaft ex 1936	pass & comm.	1932-51
7RCF	3576	Bushing steering sector shaft	comm.	1948-52
81T	3576	Bushing steering sector shaft (requires cutting to length)	comm.	1938-47
81T	3576	Bushing steering sector shaft (requires cutting to length)	comm.	1953-56
B6A	3576 A	Bushing steering sector shaft	pass	1956-57/62
E62A	3576	Bushing steering sector shaft	V8 pilot	1948-50
48	3590	Drop arm		1935-36
78	3590	Drop arm		1937-41
21A	3590	Drop arm		1942-48
51	3590	Drop arm	large trucks	1935-37
8C	3590	Drop arm	F1,F2,F3 comm.	1948-52

**STEERING BOX GASKET SETS**

B	3581	Gasket set steering box	pass & comm.	1932-36
78	3581	Gasket set steering box	pass & comm.	1937-48
8A	3581	Gasket set steering box	pass	1949-51
7C	3581	Gasket set steering box	comm.	1948-60
AB	3581	Gasket set steering box	pass	1952-57

**STEERING SECTOR OIL SEALS**

48	3591	Oil seal sector shaft housing	lower	1935-48
81T	3591	Oil seal sector shaft housing	trucks except 122"	1938-47
8A	3591	Oil seal sector shaft housing	lower pass & 1/2 – 1 ton comm.	1948-52
8M	3591	Oil seal sector shaft housing	lower comm.	1953-60

**STEERING WHEELS**

68	3600 A	Steering wheel standard		1935-36
78	3600 A	Steering wheel moulded black standard	pass & comm.	1937-39
91A	3600 B	Steering wheel banjo type deluxe ( will fit earlier models)		1939
O1A	3600	Steering wheel	comm.	1940-47
7C	3600	Steering wheel black gloss	truck & comm.	1948-52
BAAA	3600	Steering wheel black gloss	truck & comm.	1953-55
B	3609	Key woodruff steering wheel/column		1929-48
A	3610	Nut steering wheel		1932-41

\* Prices are indicative only



68 3600



78 3600



91A 3600

**HORN BUTTON & RELATED**

O1A	3626	Horn button Spring		pass & comm	1940-47
21A	3626	Horn button Spring		pass	1942-48
11C	3627 C	Horn button		all trucks	1940-47
7HC	3627 C	Horn button		all trucks	1948-52
6A	3627 A	Horn button	Blue	Super Deluxe	1942-48
6A	3627 A	Horn button	Gold	Deluxe	1942-48
B	3642	Horn rod Spring		pass & comm	1928-39



**LIGHT SWITCH PARTS**

B	3643	Light switch Spider		1928-39
B	3644	Light switch spider Retainer		1928-39
B	3647	Light switch Ball Clip bottom of column		1932-36
78	3647	Light switch Ball Clip bottom of column		1937-39
O1A	3671	Horn button Switch & contact wire	comm. & large trucks	1920-47



**IGNITION SWITCH PADS**

40	3682	Pad steering switch to dash	pass & comm.	1933-34
48	3682	Pad steering switch to dash	pass	1935-36
48	3682	Pad steering switch to dash	comm.	1937-47
81A	3682	Pad steering switch to dash	pass	1937-41
11A	3682	Pad steering switch to dash	pass	1941-48

**IGNITION SWITCH & PARTS**

11A	3680	Ignition switch	pass	1942-48
1A	3685	Key blanks ignition & door	pass & comm.	1948-52
BA	3685 A	Key blanks ignition & door	pass & comm.	1952-64
B	3686 KB	Key blanks ignition & door		1935-48
48	3686	Ignition lock cylinder & keys		1935-48
B	3704	Ignition switch contact plate		1932-37
81A	3704 KIT	Ignition switch contacts & brush set	pass exc. 39 Mercury	1938-40
O9A	3704	Ignition switch contacts	pass	1942-48
B	3709	Ignition switch moving brush	pass & comm.	1932-37
O9A	3709 KIT	Ignition switch moving brush	pass	1942-48
B	3729	Lock assembly retainer pin		1936-47
B	3731	Screw ignition column twist off locking screw		1932-48



Please Contact Ajay's Ford V8 Parts for up to date Prices

[info@fordv8parts.com](mailto:info@fordv8parts.com)

07 212 8742

**FF PARTS****DIFF RELATED**

18	4035 GS	Diff gasket set includes universal joint gaskets		1932-48
8A	4109	Shim for driving pinion rear bearings .003",.005",.010",.020"thick		1949-54
C81A	4215	Spider gear 12 tooth use with 18 tooth axel	pass & comm.	1932-40
B5A	4215	Spider gear	pass	1955-56
OA	4230	Washers pinion thrust side	pass	1949-54
8A	4236	Gear diff side	16 tooth 18spl	pass
B5A	4236	Gear diff side	16 tooth 18spl	pass

**DIFF SIDE BEARINGS**

B	4221	Diff side bearing	use with B 4235 axel	1928-32
18	4221	Diff side bearing	use with 18 4235 axel	1932-36
68	4221	Diff side bearing	pass	1937-48
68	4221	Diff side bearing	comm.	1937-47
8A	4221	Diff side bearing	pass	1949-54
B	4222	Diff side bearing cup	use with B 4235 axel	1928-32
18	4222	Diff side bearing cup	use with 18 4235 axel	1932-36
68	4222	Diff side bearing cup	pass	1937-48
68	4222	Diff side bearing cup	comm.	1937-47
8A	4222	Diff side bearing cup	pass	1949-54
B6A	4222	Diff side bearing cup set	pass	1955-56
B7A	4221 B	Diff side bearings & cups 1-25/32 ID	pass	1957-60
B7A	4221 A	Diff side bearings & cups 1-5/5 ID	pass	1957-64

**REAR AXEL & RELATED PARTS**

91T	4236	Gear rear axel shaft	trucks over 1 ton	1940-47
61	4236	Gear rear axel shaft	trucks 3/4 & 1 ton	1938-47
B	4243	Axel key rear	pass	1928-48
B	4243	Axel key rear	comm.	1928-47
BB	4243	Axel key rear	large trucks	1930-34
B	4245	Grease seal inner axel	pass	1928-48
B	4245	Grease seal inner axel	comm.	1928-47
BB	4255	Nut & locking pin rear wheel bearing	trucks over 1 ton	1940-47

**DRIVE SHAFT PARTS**

B	4245 A	Grease seal drive shaft to bearing (use with 6 spline driveshaft)		1932-48
68	4607	Pin drive shaft coupling	pass & comm.	1937-48
48	4684	Coupling drive shaft 10 spline to 6 spline (when using early C&P on late shaft)		1932-48
68	4684	Coupling drive shaft 6 spline	pass	1936-48
68	4684	Coupling drive shaft 6 spline	comm.	1936-41
AB	4851	Yoke universal joint rear	pass	1949-54
8M	4851	Yoke universal joint rear	Mainline, station wagon	1950-54



## BODY MOUNTING

### BODY MOUNTING KITS

B	5000 ADH	Webbing 2" wide adhesive backed 20' rolls		1932-34
B	5000	Webbing 2" wide non adhesive 20' rolls		1932-34
B	5000 A	Webbing 1" wide Anti Squeak Oil Treated 25' rolls		1932-48
B	5000 B	Webbing 1 1/2" wide Anti Squeak Oil Treated 25' rolls		1932-48
B	5000 C	Webbing 2" wide Anti Squeak Oil Treated 25' rolls		1932-48
78	5000 MB	Body mounting bolt kit		1937-40
11A	5000 MB	Body mounting bolt kit		1941-48
48	5001	Body mounting kit	pass	1935-36
78	5001	Body mounting kit	pass	1937-40
21A	5001	Body mounting kit	pass	1942-48
8A	5001	Body mounting kit except convertible	pass	1949-50
1A	5001	Body mounting kit except convertible	pass	1951
B5A	5001	Body mounting kit	pass	1955-56
B7A	5001	Body mounting kit	pass	1957-58
7C	5352	Arm cab to frame with bushes	comm.	1948-56
7C	5400 SS	Mounting kit cab to frame 14 pce	comm.	1948-52
BAAA	5400 SS	Mounting kit cab to frame 14 pce	comm.	1953-56
7C	5404 KIT	Bolt to mount cab frame	comm.	1948-51
BAAA	5404 KIT	Bolt to mount cab frame	comm.	1953-56
BAAA	80 12058 PR	Cup metal upper cab mount (pair)	comm.	1953-56
BAAA	81 02060 PR	Cup metal under the cab mount rubber	comm	1953-56



78 5000



48 5001



B 5000 B



## SPRING SHACKLE PARTS

### SPRING LINER

A	5310 1	Spring liner control friction & squeaks between spring leaves 1-3/4" wide		
A	5310 2	Spring liner control friction & squeaks between spring leaves 2" wide		
A	5310 3	Spring liner control friction & squeaks between spring leaves 2 1/4" wide		
11A	5599	Spring anti squeak pad	Front 1928-48	Rear 1935-46
AB	5586	Rear spring anti squeak pads		1949-53



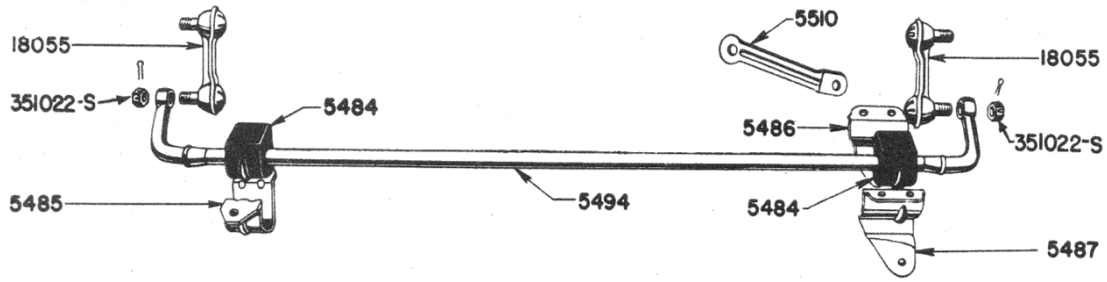
5310 Spring Liner



48 5304

### SPRING SHACKLE KIT

B	5304	Shackle kit	front	pass & comm.	1932-34
48	5304	Shackle kit	front	pass & comm.	1935-40
21A	5304	Shackle kit	front	pass	1942-48
21C	5304	Shackle kit	front	comm. 1953-56	1942-47
51	5304	Shackle kit rear of front spring		big trucks	1935-41
O1Y	5304	Shackle kit front of front spring		3/4 & 1 ton truck	1940-41
O1Y	5304	Shackle kit rear of front spring		3/4 & 1 ton truck	1940-41
7C	5304	Shackle kit	front	F1-F3 comm.	1948-52
BAAA	5304	Shackle kit	front	F100 & F250 comm.	1953-56
B	5630	Shackle kit	rear	pass & comm.	1932-34
48	5630	Shackle kit	rear	pass & comm.	1935-40
11A	5630	Shackle kit rear use for lowering suspension 3/4"			1935-41
21A	5630	Shackle kit	rear	pass	1942-48
21C	5630	Shackle kit	rear	comm.	1942-47
7C	5630	Shackle kit	rear	1/2 ton comm.	1948-56
59Y	5630	Shackle kit	rear	1 ton comm.	1938-52
C8A	5630	Shackle kit	rear spring (front) one side	pass	1949-54
C2OZ	5630	Shackle kit	rear of rear spring one side	Fairlane	1962-65

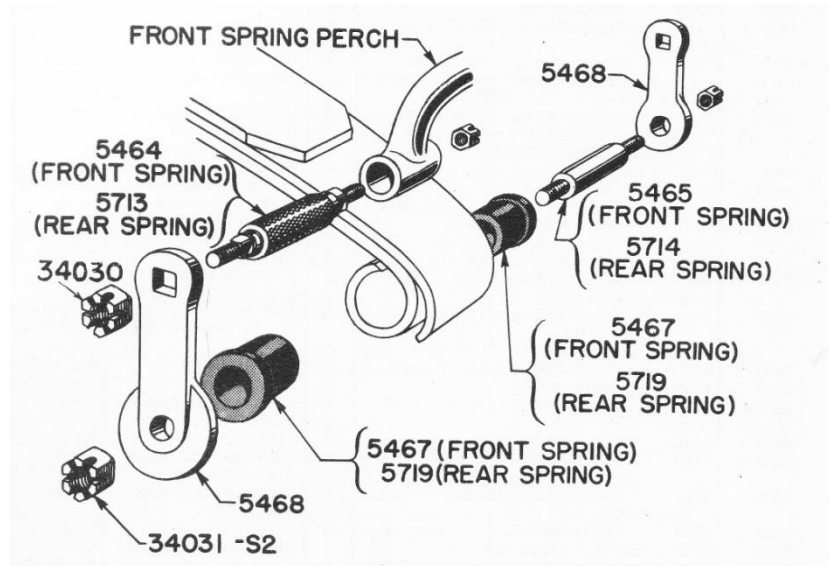


**FRONT SPRING SHACKLE BUSHES & STUDS**

21C	5344	Bush front spring rear bracket	comm.	1942-47
21C	5344	Bush front spring rear bracket	comm.	1953-56
21C	5348	Bush front spring shackles 4 requ	F1 & F100comm	1942-56
40	5464	Shackle stud front spring	lower	1932-34
51A	5464	Shackle stud front spring	upper & lower pass & comm.	1935-41
51A	5646	Shackle stud front spring	upper pass	1932-48
21C	5465	Shackle stud front spring	upper & lower comm.	1942-56
21T	5465	Shackle stud front spring	upper & lower large trucks	1942-47
7RC	5465	Shackle stud front spring	2 requ F1-F3 comm.	1948-52
21C	5781	Bushing front spring	trucks over 1 ton	1942-47
59Y	5781	Bushing front spring	1 ton truck	1942-48
21C	5791	Bushing front spring shackle	large truck exc1 ton	1942-47

**REAR SPRING SHACKLE BUSHES & STUDS**

40	5714	Shackle stud rear spring	lower set	pass & comm.	1932-34
21A	5714	Shackle stud rear spring	lower	pass & comm.	1942-48
51A	5713	Shackle stud rear perch	upper	pass	1932-48
51A	5713	Shackle stud rear perch	lower	pass & comm.	1935-48
21C	5780	Shackle stud rear spring hinge pin		F1 & F100 comm.	1942-56
O1T	5780	Shackle stud rear spring hinge pin		large truck exc 1 ton	1938-47/60
59Y	5780	Shackle stud rear spring		1 ton	1938-60
21A	5719	Bush for rear spring lower rubber		pass	1942-48
8A	5719	Bush rear of rear spring		pass	1949-54
8A	5719	Bush front & rear of rear spring		pass, F100 & 250	1955-59
21C	5781	Bushing rear spring		comm.	1942-47
21T	5781	Bushing rear spring		truck over 1 ton	1932-60
B5A	5781	Bushing front of rear spring		pass	1955-56
B7A	5781	Bushing front of rear spring		pass	1957-59
C2OZ	5781	Bushing front of rear spring		pass	1962-65
BB	5791	Bushing rear spring shackle		large trucks	1928-60
21C	5791	Bushing rear spring shackle		comm.	1942-47
61	5791	Bushing spring shackle hanger		3/4 & 1 ton comm.	1938-60



### SPRING SHACKLE RELATED

91A	5468	Shackle stud plate		pass & comm.	1932-41
21T	5468	Shackle stud plate	front/inner	large truck	1942-52
21T	5469	Shackle stud plate	front/outer	large truck	1942-52
21C	5468	Shackle stud plate	front/inner	comm. & 3/4 – 1 ton	1942-47
21C	5469	Shackle stud plate	front/outer	comm. & 3/4 – 1 ton	1942-47
AB	5586 A	Rear spring anti squeak pads			1949-53
B	5705 S	U Bolt rear spring	5-1/4" cut down to suit		1928-41
B	5455 B	U Bolt front spring	5" cut down to suit		1932-34
AB	5705	U Bolt rear spring		Mainline	1952-54
AB	5741	Rear spring pads upper & lower need 4 per car			1952-56
O1T	5776	Spring hanger	rear	large truck	1940-52
21C	5776	Spring hanger	rear	comm.	1942-52
TAAA	5776	Spring hanger	rear	F100	1953-56
82Y	5782	Cotter pin for rear shackle studs		comm.	1942-56
82Y	5782	Cotter pin for rear shackle studs		1 ton	1938-56

### STABILISER BAR PARTS

21A	5484	Bushing stabilizer insulator		pass	1942-48
8A	5493	Bush stabilizer bar		pass	1949-51
B5A	5493	Bush stabilizer bar		pass	1955-56
B7A	5493 A	Bush stabilizer bar specify model		pass	1957-58
B9A	5493 a	Bush stabilizer bar specify model		pass	1959
AB	5493	Bush stabilizer		pass	1952-54
99A	3556	Bushing end of stabilizer bar		pass	1942-48
C2OZ	5A486A	Stabilizer bar repair kit 2 kits per car		Fairlane	1962-73

**ENGINE PARTS****EXHAUST RELATED PARTS**

		Manifold exhaust second hand left or right hand specify year			1935-36
		Manifold exhaust second hand left or right hand specify year			1937-38
11A	5259	Tail pipe clamp	front	pass & comm.	1939-41
51A	5259	Tail pipe clamp	front	pass & comm.	1942-48
8A	5259	Tail pipe clamp	front	pass & comm.	1949-52
99A	5261	Tail pipe clamp	rear	pass & comm.	1939-41
21A	5261	Tail pipe clamp	rear	pass & comm.	1942-48
48	5270	Clamp exhaust pipe to muffler			1935-48
18	9433	Gasket set exhaust manifold 8 cylinder		pass & comm.	1932-54
H	3010	Muffler 2" Inlet & outlet 22" case			pair
H	3011	Muffler 2" inlet & outlet 26" case			pair
H	3016	Muffler 2" inlet & outlet		Big car	1949-59
B5A	9450	Gasket exhaust front cross over pipe		272/292/312	1949-57
B7AZ	9433	Gasket set exhaust manifold		272/292/312	1955-62

**ENGINE GASKETS**

18	6020	Gasket timing cover		pass & comm.	1932-48
B4A	6060 A	Gasket timing cover		272/292/312	1954-58
8BA	8255	Gasket water outlet		pass, comm. & trk	1949-54
8BA	8255 A	Gasket water outlet		pass, comm. & trk	1949-54
40	8280	Gasket engine mount plate to block		pass, comm. & trk	1927-38
C29B	6520	Gasket inlet manifold	set	pass, comm. & trk	1932-48
8BA	6520	Gasket inlet manifold	set		1949-54
8BA	6521	Gasket inlet manifold		pass, comm. & trk	1949-54
COAE	6521 A	Gasket valley cover		272/292/312	1955-64
B7A	9439/41	Gasket set inlet manifold left & right hand		272/292/312	1955-62
B5A	6584	Rocker cover gaskets		272/292/312	1954
18	6781	Sump gasket	set	pass, comm. & trk	1932-34
C41A	6781	Sump gasket	set	pass, comm. & trk	1935-48
8BA	6781	Sump gasket	set	pass, comm. & trk	1949-54
B6A	6781	Sump gasket set		272/292/312	1954-62
B	9433	Gasket set exhaust manifold 4 cylinder		pass & comm	1928-34
18	9433	Gasket set exhaust manifold 8 cylinder		pass, comm. & trk	1932-54
1GA	9450	Gasket exhaust manifold to exhaust pipe			1949-60
B7AZ	9433	Gasket set exhaust manifold		272/292/312 pass	1955-62

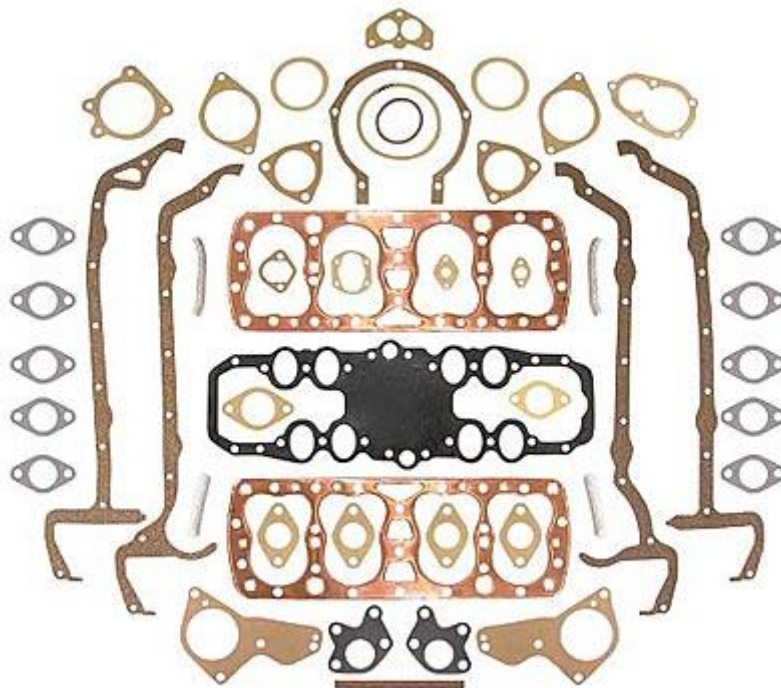


**ENGINE GASKET SETS**

B	6008	Engine gasket set	4 cylinder		1932-34
18	6008	Engine gasket set	21 stud		1932-37
81A	6008	Engine gasket set	24 stud	3-1/16	1939-48
99A	6008	Engine gasket set	24 stud	3-3/16	1939-48
C8BA	6008	Engine gasket set	24 stud	3-3/16	1949-54
B7AZ	6008	Engine gasket set	272/292/312		1952-62
81A	6014	Engine gasket set	24 stud top only	3-1/16	1939-48
99A	6014	Engine gasket set	24 stud top only	3-3/16	1939-48
8BA	6014	Engine gasket set	24 stud top only	3-3/16	1949-54

**HEAD GASKETS**

B	6051	Head gasket	4 cylinder		1932-34
40	6051	Head gasket	21 stud		1932-37
91A	6051	Head gasket	24 stud	3-1/16	1939-48
59A	6051	Head gasket	24 stud	3-3/16	1939-48
8BA	6051	Head gasket	24 stud	right hand	1949-54
8BA	6083	Head gasket	24 stud	left hand	1949-54
1GA	6051	Head gasket	6 cylinder	G series	1941-47
A	6051	Head gasket	6 cylinder	H series	1947-51
B5A	6051	Head gasket		272/292/312	1955-60



18 6008

**ENGINE MOUNTS**

B	6038	Engine mount	upper	pass	1932-48
B	6038	Engine mount	upper	comm.	1932-53
B	6038 SK2	Engine mount set	See note		1932-36
78	6038 SK2	Engine mount set	See note		1937-48
78	6038 SK2	Engine mount set	See note	comm.	1937-52
		Note	(includes 2 bolts, 2 plates, 2 nuts, 4 mounts)		
8BA	6038	Engine mount	front	2 required	1949-53
B5S	6038 A	Engine mount	upper	292/312 Thunderbird	1955-57
B5S	6038 A	Engine mount	upper	comm.	1953-56
B7A	6038 B	Engine mount		272/292/312	1955-58
C1MM	6038 C	Engine mount		pass & comm.	1959-68
C3AZ	6038 A	Engine mount	Galaxy	352/390 Left hand	1962-64
C3AZ	6038 B	Engine mount	Galaxy	352/390 Right hand	1962-64
TAAA	6039	Engine mount	lower rectangular mount F100/600 comm		1953-56
B	6039	Engine mount	lower	pass, comm. & truck	1932-36
78	6039	Engine mount	lower	comm.	1937-48



B 6038 SK2



51A 18259

**EXHAUST DEFLECTORS**

51A	18259 A	Exhaust deflector	<i>FORD script</i>
51A	18259 B	Exhaust deflector	V8 script
51A	18259 C	Exhaust deflector	Plain

**ENGINE ACCESSORIES**

SR	6060 E	Head nut covers	chrome plated 11/16"	1932-54
SR	6060 C	Manifold stud covers	chrome plated 9/16"	1932-54
SR	8006	Radiator overflow tank	stainless 13"long	
SR	8006	Radiator overflow tank	stainless 15"long	
SR	8006	Radiator overflow tank	stainless 19"long	

**ENGINE ACCESSORIES CONT..**

HR	9600 LV	Air cleaner chrome		louvered	Regular top
HR	9600 LW	Air cleaner chrome		louvered	3 wing top
HR	9600 SM	Air cleaner chrome		smooth	Regular top
HR	9600 SW	Air cleaner chrome		smooth	3 wing
HR	9600 ML	Air cleaner chrome	mushroom	louvered	3 wing top
HR	9600 MS	Air cleaner chrome	mushroom	smooth	3 wing top
HR	9600 R	Air cleaner replacement filter for above air cleaners			
HR	9600 WN	Air Cleaner replacement 3 wing bolt			



6066

**HEAD STUDS, NUTS, WASHERS**

B	6063	Washers for head nuts		1932-48
B	6064	Head nuts each		1932-48
40	6065	Head studs	2.34" long	1932-48
8BA	6065	Head bolts	1.94" long	1948-53
40	6066	Head studs	2.90" long	1932-48
8BA	6066	Head bolts	2.62" long	1948-53
40	6067	Head studs	3.59" long	1932-37
48	6067	Head studs	3.09" long	1935-48
91A	6067	Head studs	3.15" long	1933-48

**CYLINDER SLEEVES**

68	6055	Cylinder sleeve	std bore	3-1/16"	1932-48
99A	6055 A	Cylinder sleeve	steel thin	3-3/16"	1939-48
99A	6055B	Cylinder sleeve	steel thick	3-3/16	1939-48
8BA	6055	Cylinder sleeve	cast	3-3/16	1949-54

Please Contact Ajay's Ford V8 Parts for up to date Prices

[info@fordv8parts.com](mailto:info@fordv8parts.com)

07 212 8742

**GEARBOX MOUNTS**

B	5089 B	Gearbox mount	4 & 8 cylinder	pass & comm.	1932
40	5089	Gearbox mount		pass & comm.	1933-34
48	5089	Gearbox mount		pass & comm.	1935-36
78	6038 SK2	Gearbox mounts		pass & comm.	1937-48/52
81T	5089 A	Mount engine rear support 4 speed		large trucks	1940-52
21A	6089	Gearbox mount		pass & comm.	1942-48
21A	6068	Gearbox mounts		F1 comm.	1948-52
1M	6068	Gearbox mounts	manual 239/255	pass	1951-56
8A	6068 A	Gearbox mounts		pass	1949-50
AD	6068	Gearbox mounts	manual	pass	1951-55
COTT	6061 B	Gearbox mounts	2 required	comm.	1953-60
TAAA	6068	Gearbox mounts	F100/600	comm.	1953-60
B7A	6068 A	Gearbox mounts	272/292/312	pass	1957-60



B 5089



48 5089



21A 6068

**PISTON SETS**

THESE ITEMS ARE LIMITED, PLEASE ENQUIRE FOR CURRENT AVAILABILITY AND PRICE.

40	6108	Piston & pin sets	3-1/16 flat top 3 ring sizes std up .060o/s	1932-36
O1T	6108	Piston & pin sets	3-1/16 dome top (3 & 4 ring avail sizes std up to .060o/s)	1937-48
99A	6108	Piston & pin sets	3-3/16 dome top 3 ring sizes std up to .080o/s	1939-48
99A	6108	piston & pin sets	3-3/16 dome top 3 ring sizes std up to .060o/s	1939-48
8BA	6108	Piston & pin sets	3-3/16 dome top 4 ring sizes std up to .080o/s	1939-53
8BA	6108	Piston & pin sets	3-3/16 dome top 4 ring sizes std up to .100o/s	1939-53
B5A	6108	Piston & pin sets	272 3.75" bore 3 ring sizes std up to .060o/s	1955-58
ECK	6108	Piston & pin sets	292 3.75" bore 3 ring sizes std up to .060o/s	1955-62
B6A	6108	Piston & pin sets	312 3.80" bore 3 ring sizes std up to .060o/s	1956-58

**PISTON RING SETS**

40	6149	Ring set	3-1/16 3 ring piston sizes std up to .080o/s	1932-48
O1T	6149	Ring set	3-1/16 4 ring piston sizes std up to .080o/s	1937-48
99A	6149	Ring set	3-3/16 3 ring piston sizes std up to .080o/s	1939-48
99A	6149	Ring set	3-3/16 3 ring piston sizes std up to .100o/s	1939-48
8BA	6149	Ring set	3-3/16 4 ring piston sizes std up to .080o/s	1939-53
8BA	6149	Ring set	3-3/16 4 ring piston sizes std up to .100o/s	1939-53
B5A	6149	Ring set	272 3 ring piston sizes std up to .060o/s	1955-58
ECK	6149	Ring set	292 3 ring piston sizes std up to .060o/s	1955-62
B6A	6149	Ring set	312 3 ring piston sizes std up to .060o/s	1956-58

**GUDGEON BUSHES, PINS & CIRCLIPS**

O1A	6135 A	Gudgeon pins	3-1/16 std size	1938-48
O1A	6135 002	Gudgeon pins	3-1/16 +002" oversize	1938-48
19A	6135 A	Gudgeon pins	3-3/16 4 ring piston std size	1939-41
99A	6135 A	Gudgeon pins	3-3/16 3 ring piston std size	1939-48
8BA	6135 A	Gudgeon pins	3-3/16 4 ring piston std size	1949-54
78	6140	Retainer (circlips)	for pistons	1932-53
18	6207	Bushings conrod	use with 48-6200 conrods	1932-36
21A	6207	Bushings conrod		1937-53
EAA	6207	Bushings conrod	272 292 312	1952-64

**CONROD BEARINGS**

48	6211	Bearings conrod fully floating flanged	3-1/16 std .010 .020 .030	1933-37
81A	6211	Bearings conrod fully floating non flanged	3-1/16 std up to .060o/s	1938-48
99A	6211	Bearings conrod fully floating	3-3/16 std up to .060o/s	1939-48
41A	6211	Bearings conrod lock in	3-1/16 std .002 .010 .020 .030	1942-48
8BA	6211	Bearings conrod lock in	3-3/16 std up to .060	1949-54
B5T	6211	Bearings conrod	272 292 312 std up to .060o/s	1954-62
B8A	6211	Bearings conrod	332 352 390 std up to .030	1958-62
49A	6211	Bearing conrod std	.002	

**TIMING GEARS, CHAINS & COVERS**

18	6019	Timing gear cover	90 & 100 HP	1932-41
21A	6019	Timing gear cover		1942-48
18	6256	Timing gear press on	56 tooth	1932-35
48	6256	Timing gear press on	44 tooth	1935-41
91A	6256 S	Timing gear steel bolt on	44 tooth some 1935-38	1939-48
91A	6256 F/A	Timing gear fibre or alloy bolt on	44 tooth some 1935-38	1939-48
11A	6256	Timing gear bolt on fibre steel alloy		1941-48
8BA	6256	Timing gear bolt on		1949-54
EAA	6256	Timing gear	272 292 312	1954-64
91A	6258	Lock tab camshaft gear		1939-48
EAA	6268	Timing chain	272 292 312	1955-64
B8A	6268 A	Timing chain	332-352	1958-71

**CAMSHAFT BEARINGS**

O1A	6A261 STD	Camshaft bearing set	standard	1932-54
O1A	6A261 020	Camshaft bearing set	.010 oversize	1932-54
B5A	6A261	Camshaft bearing set	std 272 292 312	1955-60
B5A	6A261	Camshaft bearing set	.010 OS 272 292 312	1955-60
B8A	6250 C	Camshaft	272 292 312	1955-64

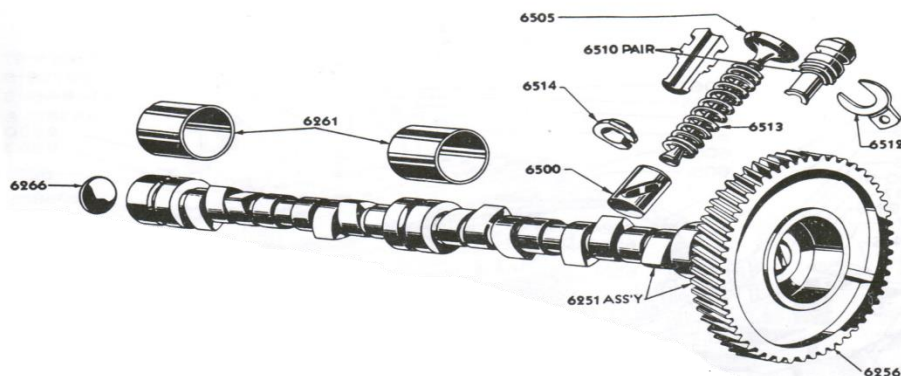


**CRANKSHAFT PARTS**

B	6212	Nut Castle		1928-34
18	6212	Nut connecting rod	90 & 100 HP	1932-47
7HA	6212	Nut conrod V8 side valves as required		1948-51
18	6306	Gear crankshaft	28 tooth	1932-35
48	6306	Gear crankshaft	22 tooth	1935-48
8BA	6306	Gear crankshaft	22 tooth	1949-54
B8A	6306 A	Gear crankshaft	332 352 390	195?-??
B8A	6306 B	Gear crankshaft	272 292 312	1954-64
18	6312	Pulley crankshaft	single pass, comm. & Lg truck 90HP	1932-38
51	6312	Pulley crankshaft	double trucks except 1 ton	1935-38
81C	6312	Pulley crankshaft	use this pulley when using a late crankshaft	1932-39
81T	6312	Pulley crankshaft	double fanbelt large truck	1938-39
91A	6312	Pulley crankshaft	single fanbelt pass & comm.	1939-41
B	6319	Ratchet nut crankshaft pulley bolt		1928-38
81A	6319	Ratchet nut crankshaft pulley bolt		1939-48
68	6345	Stud crankshaft main bearing cap	90 & 100 HP pass	1936-48
68	6345	Stud crankshaft main bearing cap	90 & 100 HP comm. & lg truck	1936-47
7HA	6345	Stud crankshaft main bearing cap	pass, comm. & trk	1949-54
B	6376	Bolt flywheel to crankshaft	pass, comm. & trk	1932-48

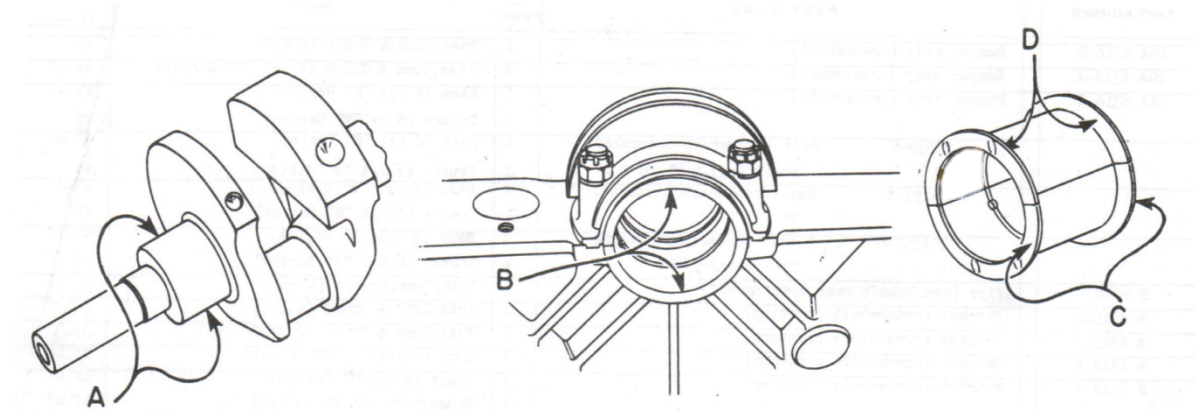
**CRANKSHAFT SEALS & SLINGERS**

40	6310	Slinger crankshaft oil		1932-38
81A	6310	Slinger crankshaft oil		1938-53
78	6335	Seal crankshaft rear	upper 85 HP use without positive seal	1932-38
91A	6335	Seal crankshaft rear	double slinger upper use with positive seal	1939-48
8BA	6335	Seal crankshaft rear	upper	1949-54
78	6336	Seal crankshaft rear	lower 85 HP use without positive seal	1937-39
19B	6336	Seal crankshaft rear	double slinger lower use with positive seal	1939-48
91A	6347	Seal crankshaft rear	upper & lower	1939-48
B	6700	Seal crankshaft front	upper & lower	1928-53
EAA	6700	Seal crankshaft front	upper & lower 272 292 312	1954-?
1BA	6701	Seal crankshaft rear	upper & lower	1949-54
B4A	6701	Seal crankshaft rear	upper & lower 272 292 312	1954-60



**MAIN BEARINGS**

68	6330	Main bearing sets 21 stud	2.4 dia shaft sizes std - .060	1936-38
68	6330	Main bearing sets 21 stud	2.36-2.39 dia shaft sizes .010 - .030	1936-38
81A	6330	Main bearing sets 24 stud	2.5 dia shaft sizes std- - .060	1939-48
81A	6330	Main bearing sets 24 stud	shaft sizes .010 - .030	1939-48
8BA	6330	Main bearing sets 24 stud "L" head	2.5 dia shaft sizes std -.060	1949-53
8BA	6330	Main bearing sets 24 stud "L" head	2.5 dia shaft sizes .010-.030	1949-53
B5A	6330	Main bearing sets	272 292 sizes std .030	1954-64
B6A	6330	Main bearing sets	312 sizes std - .040	1956-59
B8A	6330	Main bearing sets	332 352 390 sizes std - .030	1958-68



Rear Main Bearings

**FLYWHEEL PARTS**

B	6384	Ring gear			1928-48
B	6384	Ring gear	side valve	comm.	1928-48
8BA	6384	Ring gear		pass & 48 comm.	1949-54
EAA	6384	Ring gear	272 292 312	except auto	1955-58
B8A	6384	Ring gear 153 teeth	332 352	except auto	1958-68
B	6376	Bolt special flywheel			1932-48
8RT	6421	Retainer flywheel housing seal		comm. & large truck	1932-51
B	7600	Bearing flywheel pilot			1928-48

**VALVE TAPPETS & RELATED**

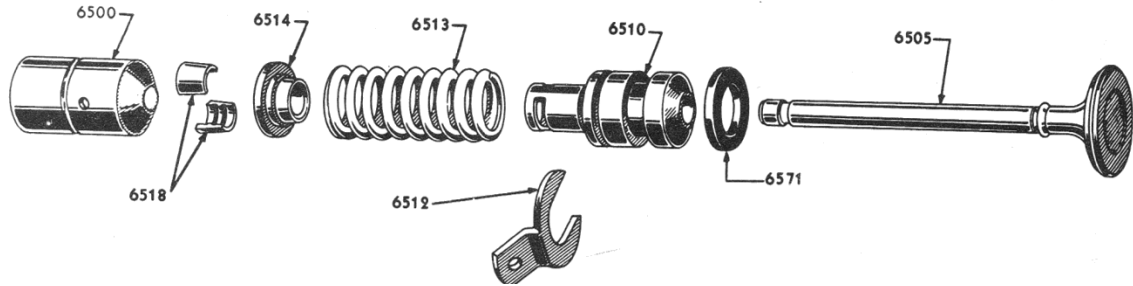
91A	6500	Valve tappet	can be used on 1949-54 engines		1934-48
91A	6500ADJ	Valve tappet adjustable			1935-53
EAA	6500	Valve lifters	272 292 312		1952-64
91A	6500WRN	Adjustable valve tappet adjusting tool			

**VALVES**

B	6505	Valves	intake & exhaust	4 cylinder	1932-34
11T	6506	Valves	exhaust		1935-48
11T	6507	Valves	inlet		1935-48
8BA	6505	Valves	inlet & exhaust	use with solid guides	1949-50
1BA	6507	Valves	inlet	use with solid guides	1951-53
B6A	6505 D	Valves	exhaust .0.0 oversize	272 292 312	1955-64
8BA	6571	O ring	use on inlet valve only	set of 8	1932-54

**VALVE GUIDES & RETAINERS**

B	6510	Valve guide	4 cylinder	1932-34
40	6510	Valve guide	split	1932-48
8BA	6510	Valve guide	solid	1949-54
40	6512	Retainer	valve guide	1932-53



Valve, Bushing, Pushrod & Spring

**VALVE SPRINGS & RELATED**

B	6513	Valve spring	4 cylinder	1932-34
78	6513	Valve spring	2.4" long	1932-48
78	6513ECM	Valve spring	2.4" long	1932-48
OBA	6513	Valve Spring	2.48" long	1949-51
1BA	6513	Valve spring	2.20" long	1952-54
B6A	6513	Valve spring	2.09" long	272 292 312 1955-64
40	6514	Retainer valve spring		1932-48
8BA	6514	Retainer valve spring		1949-50
7HA	6518	Collet for valve spring retainer	2 halves	1949-64
B3C	6534	Retainer kit	with sleeves for valve springs	1952-54

**VALVE ROCKER PARTS**

B6A	6549 A	Screw rocker arm adjusting	272 292 312	1955-
B6A	6549 C	Screw rocker arm adjusting	hollow 312	1957
B4AZ	6563 A	Shaft rocker arm	272 292 312	1954-62
B6A	6564 C	Arm valve rocker screw type	272 292 312	1954-62
COAE	6565 D	Push rod valve	272 292 312	1956-62
B4A	6570	Seal valve rocker cover	272 292 312-set	1956-62
B5A	6571	Seal valve guide & valve stem	272 292 312-set	1955-58
DOAZ	6571	Seal valve	212 260 289 302	

**MISC ENGINE PARTS**

7RA	6255	Gear distributor drive on front end of camshaft		1949-54
B	6730	Plug oil pan drain	4 cylinder 1929-34 8cylinder	1932-38
52	6730	Plug oil pan drain	8 cylinder 90 &100HP 1-1/2"dia	1939-48
52	6730	plug oil pan drain	60HP 1938-40 6 cylinder pass & truck	1947-48
EBU	6730 A	Plug oil pan drain	272 292 312	1955
48	6754 A	Tube for dip stick	7" long	1935
48	6754 B	Tube for dip stick	8-21/64" long	1936-48
741135 B		Frost plug set	(4 pcs) brass	

**OIL BREATHER CAPS**

78	6766 B	Oil breather cap round type		1935-48
48	6766 B	Oil breather cap		1948
8BA	6766	Oil breather cap		1949-54

**OIL PUMP, KITS & ASSEMBLIES**

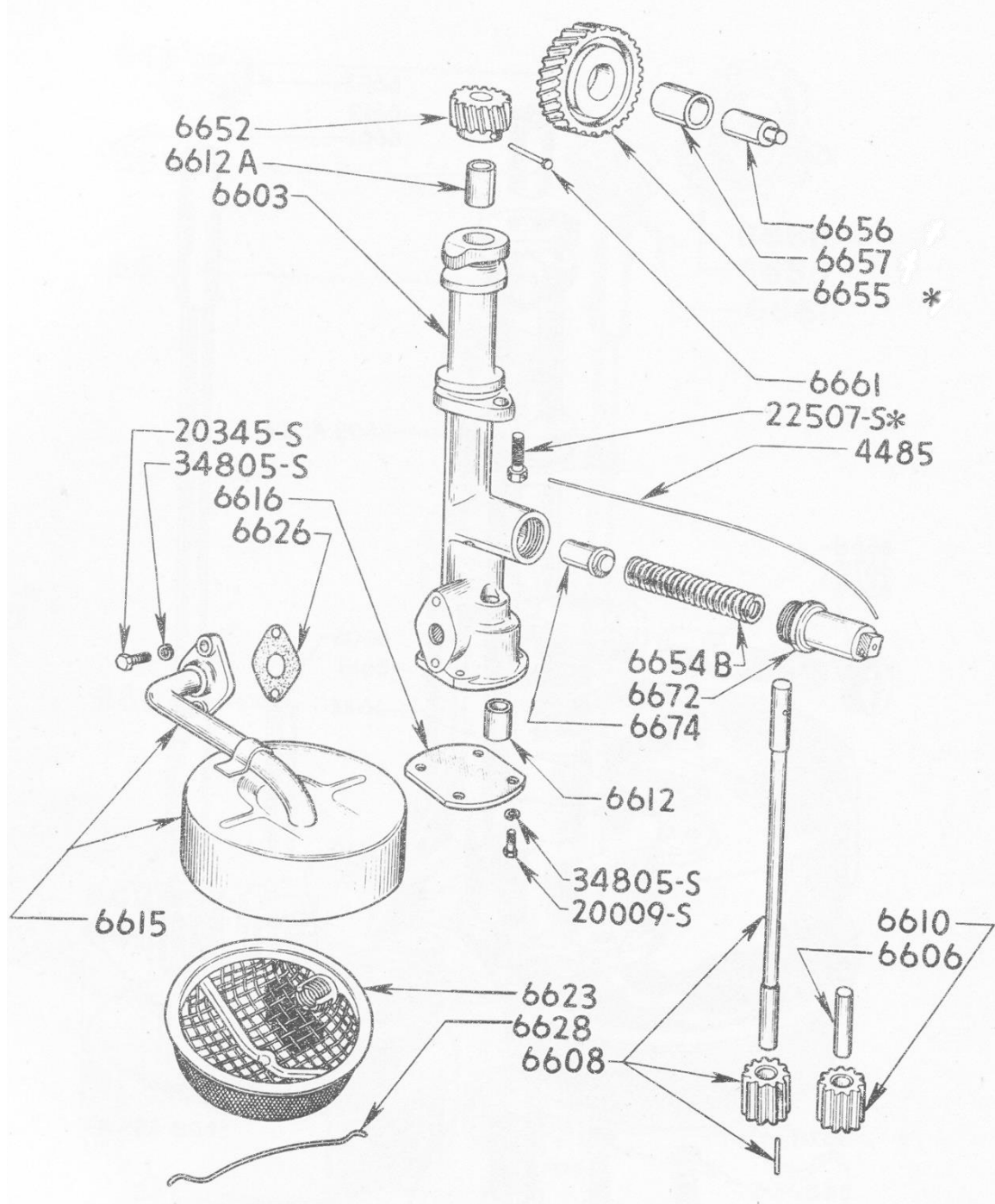
18	6600RKT	Oil pump repair kit	50lbs		1932-42
41A	6600RKT	Oil pump repair kit	80lbs		1935-48
8BA	6600RKT	Oil pump repair kit	80lbs	helical cut gears	1935-53
COAE	6600RKT	Oil pump repair kit	rotor type	272 292 312	1955-58
COAE	6600GKT	Oil pump repair kit	gear type	272 292 312	1955-58
18	6600	Oil pump assembly	50lb long body		1936-41
68	6621	Oil pump assembly	50lbs	less screen	1936-48
8BA	6621	Oil pump assembly	80lbs short body will adapt to most models		1932-53
COAE	6600 D	Oil pump assembly		272 292 312	1955-63
C8AZ	6600HV	Oil pump assembly		332 352 390 high volume	1958-65

**OIL PUMP PARTS**

18	6254 A	Gear oil pump drive with round inside		1932-48
18	6254 B	Gear oil pump drive with 3/8" flat surface inside		1932-48
18	6610	Gear oil pump driven		1935-48
41A	6610	Gear oil pump driven		1932-42
8BA	6610	Gear oil pump driven		1949-54
B	6612	Bushing oil pump body 2 required		1932-54
68	6623	Screen oil pump		1936-59
18	6652	Drive gear oil pump lower		1932-48
8BA	6654	Spring oil relief valve		1949-54
41A	6654	Pressure relief valve spring ( 80lbs)		1932-48
18	6655	Gear oil pump idler		1932-53
8BA	6656	Shaft oil pump idler		1949-54
18	6657	Bush for oil pump idler gear		1932-53
O1A	6663	Oil relief valve in engine block	all models	1932-48
68	6666	Plug oil relief valve in engine block		1932-48
B9A	6A618A	Shaft oil pump drive	272 292 312	1955-60

**OIL FILTERS**

51A	6731	Oil filter	short		1940-52
51T	6731	Oil filter	long filter		1940-52
C1TZ	6731	Oil filter		pass	1954-64
B7A	6731	Oil filter	screw on		1954-57
B7A	6882 D	Oil filter conversion kit	use when changing canister type to spin on		1954-58



Oil Pump Parts



## GEARBOX PARTS

### GEARBOX SECOND HAND PARTS

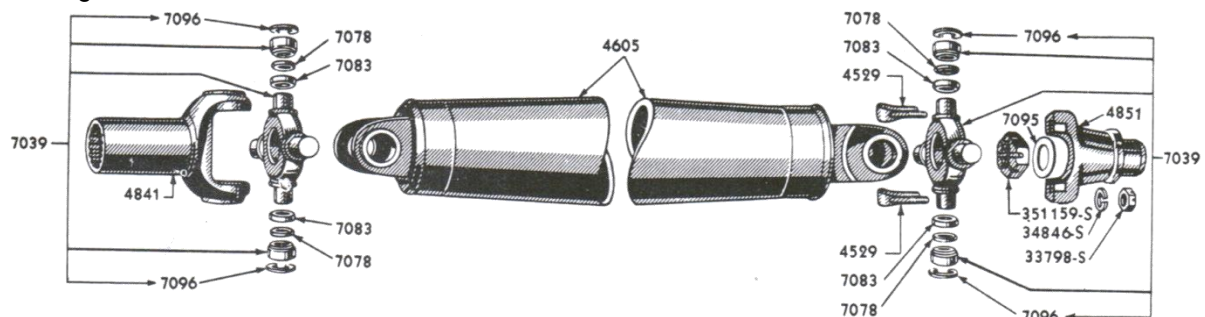
We have a selected range of second hand gear box parts available, please enquire.

### 4 SPEED GEARBOX PARTS

BBC	7017 A	Gear	input shaft	17 teeth	4 spd	1932-47
BB	7025	Bearing	input shaft		4 spd	1939-47
BB	7030	Snap ring	main drive gear bearing		4 spd	1932-47
BB	7043	Baffle	trans main drive gear bearing		4 spd	1932-47
BB	7045	Snap ring	trans main drive bearing		4 spd	1932-47
BB	7061	Main shaft	6 straight spline		4 spd	1932-39
COTT	7061	Main shaft	6 straight spline		4 spd	1940
BB	7063	Spacer	main shaft pilot bearing		4 spd	1932-47
BB	7063	Spacer	main shaft pilot bearing		4 spd	1939-47
BBC	7100	Gear	low & reverse (sliding)		4 spd	1929-47
BBE	7101	Gear	third & top		4 spd	1929-47
BB	7113	Cluster gear	43-36-27-17 teeth		4 spd	1929-47
BB	7118	Bearing	cluster gear shaft pilot		4 spd	1929-47
BB	7120	Bearing	cluster gear shaft pilot		4 spd	1929-47
59T	7129 A	Thrust	cluster shaft gear rear		4 spd	1932-47
BB	7140	Shaft	reverse idler		4 spd	1929-47
BB	7141	Gear	reverse idler		4 spd	1929-47
51V	7153	Gasket set	gear box		4 spd	1932-47
BB	7213	Gear knob	large truck genuine		4 spd	1941-47
O1T	7506	Shaft	clutch & brake pedal		4 spd	1940-47
B	7562	Return spring	for clutch bearing		4 spd	1945-47
BB	7065	Bearing	Rear main shaft			1929-47
BB	7153	Gasket set				1937-47
O1T	4813	Gear box	rear seal			1940-47

### GEARBOX MOUNT

See Engine Section.



Commercial Drive Shaft & Universal Joint

**UNIVERSAL JOINT & KITS**

B	7090 B	Universal joint 6 spline rebuilt (exchange must be rebuildable)		1928-48
B	7090	Universal joint 6 spline new		1928-48
B	7084 RK	Universal joint kit		1932-48
O1Y	7039	Universal joint kit front & rear	3/4 & 1 ton comm.	1940-60
1M	7039	Universal joint kit rear	pass	1949-55
B5AZ	7039 A	Universal joint kit rear	pass	1949-59
21C	7039	Universal joint kit front & rear	pass	1957
21C	7039	Universal joint kit front	pass	1958
21C	7039	Universal joint kit front & rear F1 & F100	comm.	1942-56
8M	7042	Universal joint kit front	pass except 1958	1957 & 59
1M	7042	Universal joint kit front	pass	1949-54
B5A	70??	Universal joint kit front	pass inc 1955-56 T bird	1949-66

**INPUT SHAFT & RELATED PARTS**

48	7017	Gear input shaft	16 teeth		1932-39
67	7017	Gear input shaft	14 teeth	comm.	1936-39
81A	7017	Gear input shaft	16 teeth		1938-48
O22A	7017	Gear input shaft	15 teeth	comm.	1940-48
8A	7017	Gear input shaft		pass	1949-50
8M	7017	Gear input shaft	refer to 81A 7017		1948
B5A	7017 D	Gear input shaft	16 teeth 30 clutch teeth 272		1955-56
B6A	7017 B	Gear input shaft	16 teeth 3 spd light duty comm.		1948-62
B8A	7017 C	Gear input shaft	26 teeth 332		1958-60
51A	7025	Bearing front input gear			1928-48
8A	7025	Bearing front input gear		pass	1949-54
51A	7026	Circlip to retain front bearing			1928-48
B	7040	Baffle front bearing			1928-48
8A	7040	Baffle front bearing		pass	1949-54
B	7064	Snap ring input shaft bearing			1932-48
8A	7064	Snap ring input shaft bearing		pass	1949-54
B	7118	Bearing input shaft to main shaft			1928-48

**INPUT SHAFT BEARING HOUSING**

51	7050	Housing input shaft bearing		comm. & 1 ton	1939-47
51	7050	Housing input shaft bearing		trucks over 1 ton	1935-47
78	7050	Housing input shaft bearing			1932-48

**OIL SEAL**

78	7052	Oil seal	fits into 78 7050	pass	1932-48
78	7052	Oil seal	for rear of gear box	comm.	1949-59
21C	7052	Oil seal	for rear of gear box	pass	1949-55
21C	7052	Oil seal	for rear of gear box	comm.	1942-63

**MAIN SHAFTS**

B	7061	Main shaft	straight spline		1932-35
68	7061 A	Main shaft	6 helical & 6 straight spline		1936
68	7061 B	Main shaft	16 helical & 6 straight spline		1936-39
81A	7061	Main shaft	16 helical spline		1939-48
11Y	7061	Main shaft	16 straight spline truck 122" also comm.	1941	1941-47
51A	7061	Main shaft	16 spline		1946-48
59C	7061	Main shaft	open drive	comm.	1942-48
1A	7061 A	Main shaft		pass	1951
1C	7061	Main shaft	28 tooth 1 <sup>st</sup> gear 3 spd	comm.	1951-52
8D	7061	Main shaft	3 spd extra heavy duty	comm.	1949-51

**MAIN SHAFT RELATED**

81A	7059	Snap ring	front main shaft syncro		1939-48
B	7063	Spacer	main shaft pilot bearing		1932-48
51A	7065	Bearing	rear main shaft		1932-48
B	7069	Spacer	between second gear & syncro hub 0.186" thick		1932-38
81A	7069 A	Spacer	between second gear & syncro hub .063-.065" thick		1939-48
81A	7069 B	Spacer	between second gear & syncro hub .068-.071" thick		1939-48
51A	7070	Snap ring	main shaft 2.68" OD		1932-48
68	7071	Thrust washer	second gear		1932-38
81A	7071	Thrust washer	second gear		1939-48
B	7080	Baffle	main shaft bearing		1932-35
68	7080	Baffle	main shaft bearing		1936-48

**LOW & REVERSE RELATED**

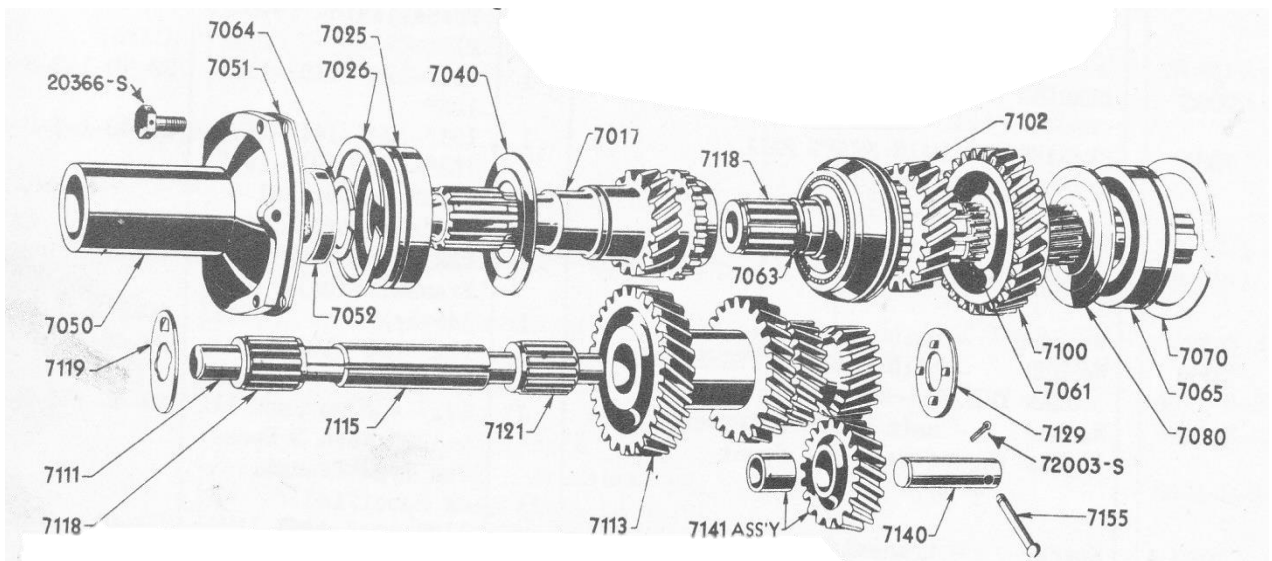
B	7100	Gear low & reverse sliding			1932-35
67	7100 A	Gear low & reverse sliding	29 spur teeth, 6 straight spline	comm.	1936-40
68	7100 A	Gear low & reverse	6 splines		1936
68	7100 B	Gear low & reverse	29T/16 helical cut gears		
			(can be use instead of O1A7100)		1936-48
11Y	7100	Gear low & reverse	29T/16 straight internal	3/4 ton truck	1941-42
O1A	7100	Gear low & reverse sliding	29 helical teeth	16 helical splines P&C	1936-50

**SECOND GEAR & RELATED**

B	7069	Thrust washer	second gear		1932-38
81A	7102	Gear Second			1938-50
51A	7102	Gear Second			1946-50
1A	7102	Gear Second	22 teeth	pass	1951-54
B7A	7102	Gear Second			1957-59
B	7103	Gear Second			1932-38
68	7104	Bushing Second gear use with B 7104 second gear	4 & 8 cyl		1932-40
			(also Lincoln)		1936-37
81A	7104	Bushing Second gear			1938-50

**SYNCRO PARTS**

81A	7105	Hub syncro unit	ball & spring type	1938-48
51A	7105	Hub syncro unit	slides & circlips type	1938-55
B	7106	Sleeve syncro unit	use with B 7108	1932-34
48	7106	Sleeve syncro unit	use with B 7108	1935-38
91A	7106	Sleeve syncro unit	use with 91A 7105 (as assy)	1939
O1A	7106	Sleeve syncro unit	use with 81A 7105 & 51A 7105	1940-48
81A	7107 D	Syncro rings		1939-64
91A	7107	Syncro rings	use with 91A 7105	1939
B	7108	Syncro hub		1932-38
81A	7109 S	Syncro kit	spring & balls	1938-40
91A	7109	Syncro kit	slides & circlips	1939
51A	7109 S	Syncro kit	slides & circlips	1940-62



**SYNCRO ASSEMBLIES**

B	7124	Syncro assembly		1932-34
48	7124	Syncro assembly		1935-38
91A	7124	Syncro assembly	pass & comm.	1939
O1A	7124 A	Syncro assembly	use with 81A 7107 D rings	1940-48
8M	7124	Syncro assembly	use instead of O1A 7124 A	1940-56
B7A	7124	Syncro assembly	pass	1957-62

**CLUSTER SHAFT**

B	7111	Cluster shaft		1932-48
B	7155	Cluster & Reverse shaft retaining pin		1932-48
8A	7111	Cluster shaft		1949-54
B5A	7111 A	Cluster shaft	pass	1955-57
B5A	7111 A	Cluster shaft	comm.	1955-62

**CLUSTER GEARS**

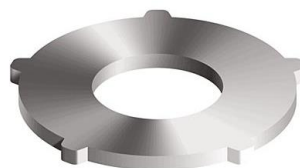
48	7113 A	Cluster gear	28-24-18 helical 15 spur teeth		1932-35
67	7113	Cluster gear	29-24-17 helical 15 spur teeth	comm.	1936-47
68	7113	Cluster gear	helical cut 28-24-14 teeth		1936-48
21C	7113	Cluster gear	helical cut 29-24-18 teeth	comm.	1939-48
8A	7113	Cluster gear	helical cut 28-24-18-14 teeth	pass	1949-51
C1A	7113	Cluster gear	helical cut 27-23-17-13 teeth	pass	1951-54
8D	7113	Cluster gear	helical cut 40-31-21-17 teeth 3 spd heavy duty com		1948-50
B7A	7113 F	Cluster gear	helical cut 30-22-19-16 teeth	pass	1957-60
B7A	7113 H	Cluster gear	helical cut 24-22-17-14 teeth	272-Pass	1956
B7A	7113 H	Cluster gear	helical cut 24-22-17-14 teeth 332 (also 1957 312)P		1958-59
C2AZ	7113 B	Cluster gear	helical cut 33-23-17-14 teeth	6cyl pass	1960-62
C2TZ	7113 B	Cluster gear	helical cut 25-22-17-14 teeth	272 pass	1955-56
C2TZ	7113 B	Cluster gear	helical cut 25-22-17-14 teeth	3 spd comm.	1955-62

**CLUSTER BEARINGS & WASHERS**

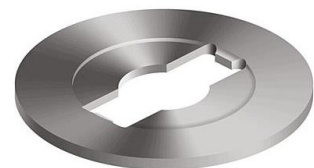
B	7118 A	Bearing cluster shaft	front		1928-48
8A	7118	Bearing needle rollers cluster shaft pilot 15 req		pass	1949-59
8A	7118	Bearing needle rollers cluster shaft pilot 15 req		comm.	1953-57
B	7119 A	Washer cluster gear thrust front			1932-48
B	7121 A	Bearing cluster gear shaft	rear		1928-48
8A	7121	Bearing needle rollers cluster gear rear 44 req		pass	1949-59



B 7118



B 7129



8M 7129

**CLUSTER THRUSTS**

8M	7128	Spacer clustershaft gear	rear		1936-48
B	7129	Thrust clustershaft gear	rear	4 prong	1932-35
68	7129 A	Thrust clustershaft gear	rear	5 prong use with 48 7113	1936
68	7129 B	Thrust clustershaft gear	rear	use with 68 7113A or O22A 7113A	1936-48
8M	7129	Thrust clustershaft gear	rear	use with 51A 7113 or C8M 7113	1936-48



**REVERSE IDLER GEARS & SHAFTS**

B	7140	Shaft reverse idler		pass	1932-57
B	7140	Shaft reverse idler		comm.	1932-57
B	7141	Gear reverse idler			1932-35
68	7141	Gear reverse idler			1936-48
8D	7141	Gear reverse idler	3spd heavy duty	comm.	1948-51
C1A	7141 A	Gear reverse idler	helical cut 17 teeth	pass	1951-53
B9A	7141 A	Gear reverse idler	helical cut 19 teeth	pass	1957-60

**GEARBOX GASKET SETS**

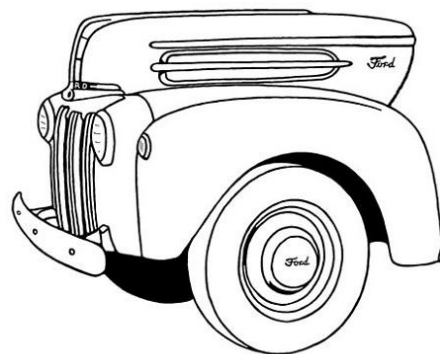
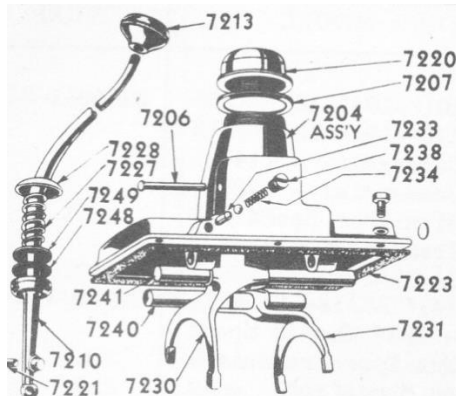
B	7153	Gasket set gear box	3 spd floor shift	pass	1932-39
B	7153	Gasket set gear box	3 spd floor shift	comm.	1932-52
O1AF	7153	Gasket set gear box	3 spd column shift		1940-48
8A	7153	Gasket set gear box	3 spd	pass	1953-56
8A	7153	Gasket set gear box	3 spd	comm.	1953-56

**GEAR KNOBS**

BB	7213	Gear knob		trucks	1932-50
78	7213 B	Gear knob	<i>V8 script</i>		1937-38
91A	7213	Gear knob			1939
91C	7213	Gear knob		comm.	1939-52
21A	7213 B	Gear knob	butterscotch	pass	1941-48
OA	7213	Gear knob		pass	1949-51
7C	7213	Gear knob		comm.	1948-55

**GEAR LEVER BOOTS & LINKAGES**

B	7242	Gear lever boot	floor change		1928-32
91A	7242 B	Gear lever boot	floor change black	pass	1932-39
91A	7242 B	Gear lever boot	floor change black	comm.	1932-53
91A	7242	Gear lever boot	floor change taupe		1932-53
O1A	7288	Oil seal	shifter forks	pass	1940-51
O1A	7354 RK	Repair bush kit gear shift linkage dose 4 ends		pass	1940-51
211E	7354 RK	Repair bush kit gear shift linkage 4 spd incl.		Zephyr	



## CLUTCH PARTS

ALL PRESSURE PLATES & CLUTCH PLATES ARE REBUILT TO THE HIGHEST STANDARD, NOT THE CHEAPEST BUT THE BEST QUALITY AVAILABLE

### CLUTCH PLATES

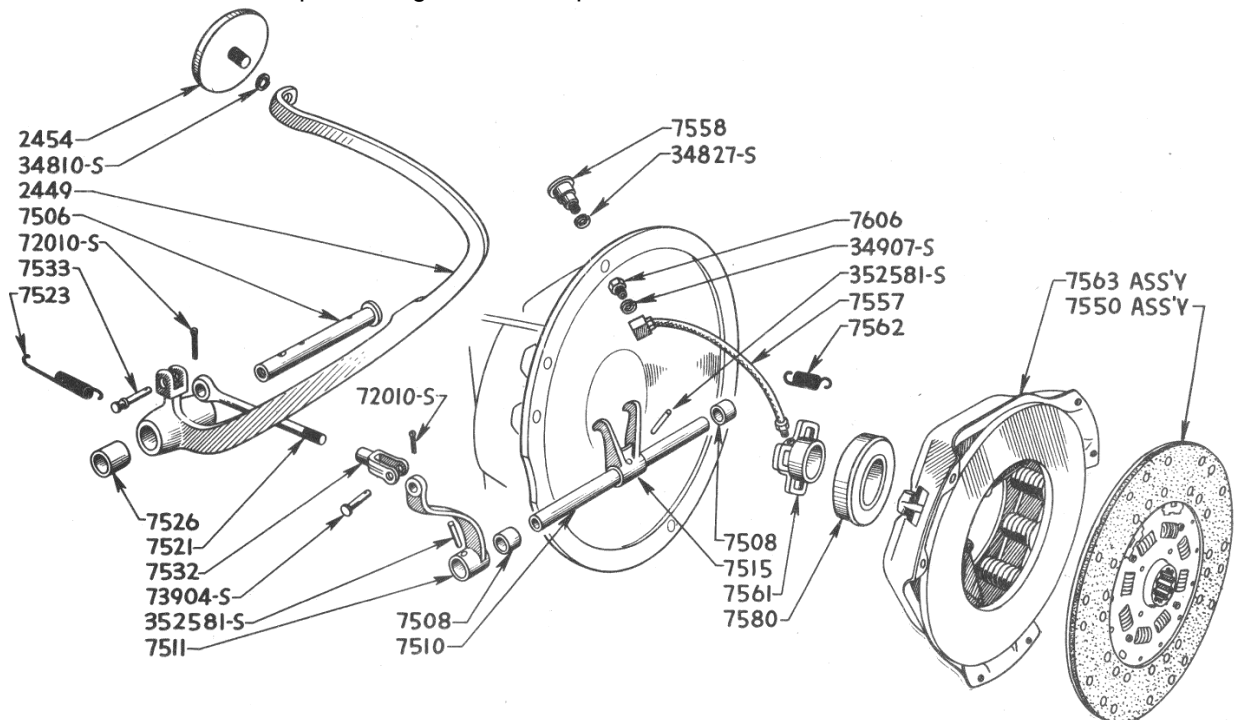
91A	7550	Clutch plate	9"		1928-40
29A	7550	Clutch plate	10"		1941-48
8BA	7550	Clutch plate	9 1/2"		1949-54
B5A	7550 B	Clutch plates	10"	10 spline	1955-57

PRICED AS REBUILT WITH REBUILDABLE EXCHANGE. \$100 CORE FEE APPLIES

91A	7550RBT	Clutch plate	9"		1928-40
29A	7550RBT	Clutch plate	10"		1941-48
59T	7550RBT	Clutch plate	11"	Large truck	1941-47

### CLUTCH PRESSURE PLATE

91A	7563 N	Clutch pressure plate	9"	new		1932-40
91A	7563 RB	Clutch pressure plate	9"	exchange		1932-40
29A	7563 N	Clutch pressure plate	10"	new		1941-57
29A	7563 RB	Clutch pressure plate	10"	exchange		1941-57
59T	7563 N	Clutch pressure plate	11"	new	Large truck	1940-68
59T	7563 RB	Clutch pressure plate	11"	exchange	large truck	1940-68
8BA	7563 N	Clutch pressure plate	9 1/2"	new		1949-54
8BA	7563 RB	Clutch pressure plate	9 1/2"	exchange		1949-54
91	7599	Clutch plate lining	9" pr		pass	1932-40
51C	7599	Clutch plate lining	11" pr		comm.	1932-56
C29A	7599	Clutch plate lining	10"pr		truck	1932-56



**CLUTCH RELATED PARTS**

O1AF	7506	Shaft	clutch & brake pedal	6.4" long	1940-48
B	7508 A	Bushing	clutch release shaft		1928-34
40	7508	Bushing	clutch release shaft	pass	1935-38
40	7508	Bushing	clutch release shaft	comm. ex1939	1935-41
48F	7515	Fork	clutch bearing release		1928-48
C1A	7515	Fork	clutch bearing release	pass	1949-51
B	7526	Bushing	clutch & brake shaft	pass	1932-34
B	7526 A	Bushing	clutch release shaft	comm.	1948-52
48	7526	Bushing	clutch & brake pedal	pass	1932-34
91A	7526	Bushing	clutch & brake pedal		1939
O1A	7526	Bushing	clutch & brake pedal	2 per arm	1940-48
B	7533 B	Pin clevis	clutch, brake & hand brake lever		1932-48
B	7557 B	Flexible hose	clutch release bearing grease		1932-34
B	7558	Cup	clutch release bearing flexible		1932-34
B7C	7560 A	Repair kit	clutch slave cylinder	comm.	1957-64
48	7561	Clutch hub for release bearing			1935-48
8A	7561	Clutch bearing hub set		pass	1949-56
B7AZ	7561	Clutch bearing hub set		pass	1957-64
B7A	7561	Clutch hub for release bearing		pass	1957-64
B	7562	Return spring for clutch bearing		pass	1932-34
B	7562	Return spring for clutch bearing		pass & truck	1939-47
48	7562	Return spring for clutch bearing		pass & truck	1935-48
78	7580	Clutch release bearing			1928-48
8A	7580	Clutch release bearing			1949-64
B	7600	Bearing clutch pilot			1928-59



## RADIATOR & COOLING, BONNET & GRILL

### GRILLS

#### NEW STOCK ITEM

Ajay's is proud to be the New Zealand agent for a newly acquired line of top quality reproduction grills Hand made in Australia for the American market to amazing standards.

40	8200 A	Grill AUS	steel	1933
40	8200 B	Grill AUS	steel	1934
48	8200	Grill AUS	steel	1935



B	8200	Grill shell	Steel Grill Shell	1932
B	8200	Grill	S/S Grill insert without crank hole	1932
B	8200	Grill	S/S Grill Insert With crank hole	1932
68	8200	Grill		1936
78	8200	Grill	With or without crank hole	1937
91A	8200	Grill		1939
01A	8206/7 D	Grill set	Chrome plated * Inc centre strip & S/S crank hole cover	1940
01A	8206/7 AK	Grill Set	Plain steel with chrome centre	1940/41
01A	8206/7 ACH	Grill set	Chrome plated	1940/41
21C	8200	Grill bar set	15 piece Chrome plated comm.	1942-47
21C	8200 P	Grill bar set	15 pieces Plain steel comm.	1942/47

### GRILLE RUBBERS

51A	8453	Grill pads	4 piece set	pass	1942-48
51B	8427 B	Grill rubber bumpers	12 piece set	pass	1946-48

Please Contact Ajay's Ford V8 Parts for up to date Prices

[info@fordv8parts.com](mailto:info@fordv8parts.com)

07 212 8742

**RADIATOR CAPS**

B	8100	Radiator cap			1932
18	8100	Radiator cap	Square nose		1933
40	8100 A	Radiator cap	Rounded nose	pass	1934
46	8100 A	Radiator cap	large truck & comm.		1933
46	8100 B	Radiator cap		comm.	1934-36
48	8100	Radiator cap		pass	1935-36
78	8100	Radiator cap	non pressure		1937-48
41A	8100	Radiator cap	4lb/2lb	pass	1937-48
77	8100	Radiator cap		comm.	1937
26H	8100	Radiator cap	non pressure		1949-51
1T	8100	Radiator cap	4lb	all trucks	1952-56
B	8100RK	Radiator cap	repair kit	pass	1932-34
B	8100RK	Radiator cap	repair kit	comm.	1932-36
B8A	8100	Radiator cap	14lb		



B 8100 A



18 8100



40 8100

**PORCELAIN FORD OVALS**

A	8212	Ford oval	Adhesive	universal	
B	8212	Ford oval		pass	1932
B	8212	Ford oval		comm.	1932-35
18	8212	Ford oval		pass	1933
40	8212	Ford oval		pass	1934
48	8212	Ford oval		pass	1935-38





**RADIATOR ORNAMENTS**

Also	18390				
B	8215	Radiator ornament		pass	1932
B	8215 G	Radiator cap	Greyhound	pass	1932
40	8215 AG	Radiator cap	Greyhound	pass	1933
40	8215	Radiator ornament		pass	1934
40	8215 G	Radiator cap	Greyhound	pass	1934
46	8215	Radiator ornament		comm.	1934-35
46	8215	Radiator cap	Greyhound	comm.	1934-36
48	8215	Radiator ornament		pass	1935
48	8215 G	Radiator cap	Greyhound	pass	1935
67	8215	Radiator ornament		comm.	1936
68	8215	Radiator ornament		pass	1936
68	8215	Radiator cap	Greyhound	pass	1936



1933-34



1935-36

**GRILLE TRIM & MOULDINGS**

40	8157	Grill trim with clips	stainless steel	pass	1934
68	8157	Grill centre strip 3pcs	stainless not the sides	pass	1936
78	8157	Grill centre strip 3pcs	stainless not the sides	pass	1937
40	8158	Grill trim lower joiner	stainless	pass	1934
91A	8168 B	Grill centre moulding trim	die cast deluxe car only		1939
O1T	8168	Grill centre moulding trim		truck	1940
68	8184/5	Grill surround moulding trim	outer stainless	pass	1936
78	8184/5	Grill surround moulding trim	outer stainless	pass	1937
B	8200 SR	Grill insert with or without	crank hole		1932
21C	8200	Grill bar set	steel	comm.	1942-47
O1A	8206/7 C	Grill sides	painted	comm.	1940-41
O1A	8242 A	Grill centre	chrome	comm.	1940-41
O1A	8242 P	Grill centre	non chrome	comm.	1940-41
91A	8266/67	Bonnet trim front called	cats whiskers	deluxe pass	1939

**GRILL EMBLEMS**

B	8211	Crank hole bezel	stainless	pass	1932
40	8216 A	Grille crank hole cover	chrome plated	pass	1933
40	8216 B	Grille crank hole cover	chrome plated	pass	1934
40	8217 A	Grill emblem		pass	1933
40	8217 A	Grill emblem		comm.	1933-35
40	8217 B	Grill emblem		pass	1934
78	8213	Grill emblem	Ford 85	pass	1937
1RC	8259 A	Grill emblem	V8	comm	1951
BAAA	8259 A	Grill emblem	V8	comm	1953
B4C	8259	Grill emblem	V8	comm	1954
B5C	8259	Grill emblem	V8	comm	1955
B6C	8259	Grill emblem	V8	comm	1956
7C	8315 S	Grill emblem	FORD letters	comm. also 52	1948-50



B 8211



40 8216



40 8217 A



40 8217

**BONNET HANDLES & TRIMS**

91A	8215 B	Handle joins bonnet ornament		deluxe pass	1939
O1C	8215	Handle joins bonnet ornament		comm.	1940
11C	8215	Handle joins bonnet ornament		comm.	1941
O1A	8216	Trim lower bonnet		comm.	1940
11C	8264/5	Trim lower bonnet		comm.	1941
68	16722	Bonnet side trim stainless 6 strips with clips			1936
21C	16722	Bonnet side trim steel 2 straps with clips jailbar		comm.	1942-47
O1C	8218	Hood ornament chrome		comm.	1940

**RADIATOR RELATED**

8C	8124 A	Radiator support to frame pad kit		comm.	1948-52
BAAA	8125	Radiator support to frame pad kit		comm.	1953-55
B6C	8125	Radiator support to frame pad kit		comm.	1956
B	8130 S	Radiator mounting kit	black		1928-48
B	8130 SS	Radiator mounting kit	stainless steel		1928-48
B	8133 SS	Radiator support rods	stainless steel also 1939 std		1932-38
51A	8200 A	Radiator shroud seal	upper		1946-48

**BONNET HINGE BRACKETS**

B	8220	Hinge bracket	bonnet	front	comm.	1932	
B	8221	Hinge bracket	bonnet	rear	comm.	1932	
B	8220	Hinge bracket	bonnet	front	pass	1932-35	
B	8221	Hinge bracket	bonnet	rear	pass	1932	
B	8220	Hinge bracket	bonnet	rear	pass	1933-36	
40	8221	Hinge bracket	bonnet	front	pass	1933-35	
46	8220 A	Hinge bracket	bonnet	front & rear	comm.	1933-37	
68	8226	Hinge bracket	bonnet	front	pass	1936	
A	16613	Bonnet prop (aftermarket bonnet protector)					1928-36

**RADIATOR HOSES & CLIPS**

	8261	Hose clips	1-3/4" lower		1932-48
	8261	Hose clip	2"		1932-48
91A	8261 S	Radiator hose clip set	8 pcs		1937-48
40	8260/86	Radiator hose clip set	12 pcs		1932-36
78	8260	Radiator hose moulded	upper	deluxe pass	1937-39
78	8260 S	Radiator hose moulded	upper <i>Ford script*</i>	pass	1937-39
91A	8260	Radiator hose moulded	upper	deluxe pass	1939
91A	8260 S	Radiator hose moulded	upper <i>Ford script</i>	deluxe pass	1939
91A	8260	Radiator hose moulded	upper	comm.	1940
91A	8260 S	Radiator hose moulded	upper <i>Ford script</i>	comm.	1940-41
21A	8260 S	Radiator hose moulded	upper <i>Ford script</i>	pass	1942-48
1BA	8260	Radiator hose	upper	pass	1949-53
B5A	8260	Radiator hose	upper	pass	1954-56
C4AZ	8260	Radiator hose	upper	Mustang	1964-67
C8AZ	8260	Radiator hose	upper	Mustang	1968-69
21C	8260 KT	Radiator hose kit	upper		1942-47
91A	8286	Radiator hose moulded	lower	deluxe pass	1939
91A	8286	Radiator hose moulded	lower	comm.	1940-41
21A	8286	Radiator hose 1-3/4"	lower	1940-41 comm	1932-48
8BA	8286	Radiator hose	lower		1950-53
TAAE	8286	Radiator hose	lower	F100	1955
B6C	8286 A	Radiator hose	lower	F series	1956-64
B6A	8286 A	Radiator hose	lower	pass	1954-56
C4AZ	8286	Radiator hose	lower	Mustang	1964-68
C9AZ	8286	Radiator hose	lower	Mustang	1969
8RT	8290	Radiator pipe steel	upper	comm.	1948-51

**RADIATOR SEALS**

21A	8327 K	Seal radiator upper shroud	pass	1942-48
1BA	8344	Radiator air deflector to bonnet seal rubber	pair	1949-51
B5A	8344	Radiator air deflector to bonnet seal rubber	pair	1955-56
7C	8348	Seal lower radiator grill splash pan to radiator	comm.	1948-52
B3T	8348 A	Seal lower radiator grill splash pan to radiator	comm.	1953-56
B3T	8349	Seal air deflector to top of radiator	comm.	1953-56
B5A	8349	Seal air deflector to top of radiator		1955-56

**OVERFLOW TANKS**

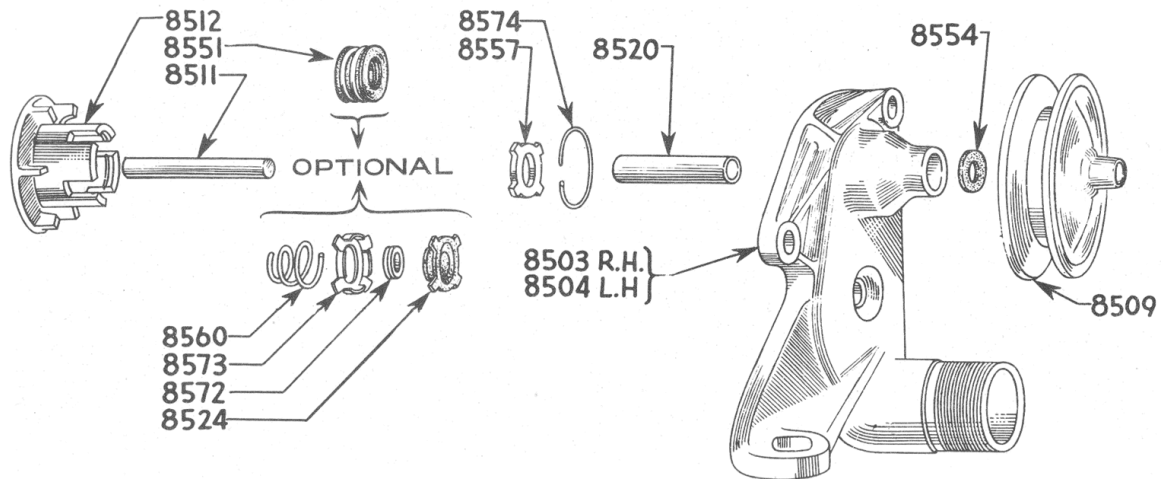
B	8005	WO13 Overflow tank stainless steel	13"	1932-56
B	8005	WO15 Overflow tank stainless steel	15"	1932-56
B	8005	WO17 Overflow tank stainless steel	17"	1932-56
B	8005	WO19 Overflow tank stainless steel	19"	1932-56

**WATER PUMP ASSEMBLIES**

68	8501	Water pump assembly	right hand		1932-36
68	8502	Water pump assembly	left hand		1932-36
78	8501	Water pump assembly	right hand		1937-48
78	8502	Water pump assembly	left hand		1937-48
8RT	8501	Water pump assembly	right hand	comm.	1948-52
8RT	8502	Water pump assembly	left hand	comm.	1948-52
EAB	8501 N	Water pump assembly		pass	1950-54
8A	8501 W	Water pump assembly	Wide	pass	1949
B6A	8501	Water pump assembly	right hand	272,292,312	1955-59
B6A	8502	Water pump assembly	left hand	272,292,312	1955-59

**WATER PUMP PARTS**

B	8507	Gasket water pump to block			
18	8507	Gasket water pump housing			1932-36
78	8507	Gasket water pump housing			1937-48
8BA	8507	Gasket water pump to block			1948-54
B5A	8507	Gasket water pump to block		272 292 312	1955-59
B8A	8507 A	Gasket water pump to block		332 352	1958-59
C2OZ	8507	Gasket water pump to block		221 260 289 302	1962
78	8520	Bushing impellor shaft fits pumps 78-8501 & 78 8502			1937-48



**WATER PUMP KITS**

68	8591	Water pump kit			1932-36
51	8591	Water pump kit		large truck	1935
78	8591	Water pump kit	single pulley		1937-48
79	8591	Water pump kit	double pulley		1937-48
A8C	8591	Water pump kit	bearing type not bush		1950-54
B5A	8591	Water pump kit	239 OHV 272 292		1955-62

**THERMOSTAT**

11A	8575	Thermostat	160° 85-95 Hp	pass	1937-48
78	8575	Thermostat	pass, comm., & lg trucks also 48pass		1937-47
52	8575	Thermostat	180° 60hp Bellows Type		1937-40
1BA	8575	Thermostat	160° 6 cyl H engine		1947-48
1BA	8575	Thermostat	160° 239 V8		1949-53
C2AZ	8575 A	Thermostat	180° 6 cyl		1949-53
C2AZ	8575 B	Thermostat	160° 6 cyl		1954-67
11A	8575 <sub>BHT</sub>	Thermostat	180°		1937-48
1BA	8592	Thermostat Housing			1949-53
B5A	8592 A	Thermostat housing	Y Block		1954-59
C5OZ	8592 A	Thermostat Housing		260 289 302	1965-68
8A	8529 HR	Thermostat Housing			1949-54

Please Contact Ajay's Ford V8 Parts for up to date Prices

[info@fordv8parts.com](mailto:info@fordv8parts.com)

07 212 8742



**FAN BELTS**

21A	8577	Fan belt short fan to pulley wide		1942-49
8BA	8577	Fan belt short fan to pulley narrow	pass	1950-53
B	8620	Fan belt		1928-32
40	8620 A	Fan belt		1932-36
40	8620	Fan belt	<i>Ford Script</i>	1932-36
78	8620 A	Fan belt Small generator pulley Deluxe pass	<i>Ford Script</i>	1939
78	8260 A	Fan belt Small generator pulley comm.	<i>Ford Script</i>	1940-41
51	8620 C	Fan belt	pass & Comm.	1937-48
8BA	8620	Fan belt water pump/generator narrow section		1950-53
7RA	8620 C	Fan belt water pump/generator wide section	pass	1949
7RC	8620 C	Fan belt water pump/generator wide section	comm.	1948-51

**FAN ASSEMBLIES & PARTS**

21A	8603	Fan assembly	pass	1942-47
21A	8603	Fan assembly	comm.	1942-47
21A	8626	Bearing fan spindle	pass & comm	1942-52
21A	8638	Fan pulley bearing gasket front	pass & comm	1942-48
21A	8646	Fan pulley bearing gasket rear	pass & comm	1942-48



## FUEL

### PETROL CAPS

B	9030 V8	Petrol cap	non locking <i>V8 Script</i>	pass	1932-48
B	9030 V8	Petrol cap	non locking <i>V8 Script</i>	comm	1932-50
48	18416 L	Petrol cap	locking <i>Ford Script</i>	pass	1932-48
48	9030 L	Petrol cap	locking <i>Ford Script</i>	comm	1932-50
O1A	9030	Petrol cap	locking	pass	1932-48
91A	9030	Petrol cap	non locking		1932-48
91A	9030 L	Petrol cap	locking		1940-50
11A	9030	Petrol cap			1941-48
8A	9030	Petrol cap	non locking	pass	1949-59
8A	9030	Petrol cap	non locking	comm.	1951-70
8A	9030 L	Petrol cap	locking	pass	1949-59
8A	9030 L	Petrol cap	locking	comm.	1951-70
C5AZ	9030	Petrol cap	non locking	pass	1962-65



B 9030 V8



48 18416



11C 9030

### PETROL TANK

FUEL/GAS TANKS ARE A NON STOCKED ITEM AND ARE PRICED AT TIME OF INQUIRE.

B	9002 SK	Fuel/gas tank mounting kit S/S bolts	pass & comm	1932-48
B	9002	Fuel/gas tank	pass	1932
40	9002	Fuel/gas tank	pass	1933-34
81A	9002	Fuel/gas tank	pass & comm.	1938-40/41
11A	9002	Fuel/gas tank	pass	1941-48
BAAA	9002	Fuel/gas tank	comm.	1953-55

### PETROL TANK RELATED

N.B. SENDER UNIT SEE ELECTRICAL SECTION.

B	9002 SK	Mount kit gas tank to chassis	stainless steel	1932-48
8A	9076	Gasket fuel tank filler to 1/4 panel	pass	1949
11A	9047	Joiner hose filler to tank	pass & comm.	1941-51/56
78	9047	Joiner hose filler to tank	pass & comm.	1932-40/72
11A	8287	Clips for joiner hose		1942-55
B	8287	Clips for joiner hose		1956-72
18	9296	Fuel line/pipe to Firewall Clip	pass & comm	1932-47/48
STD	9296-9	Fuel line clip 9mm		

**FUEL FILLER NECK GROMMET PETROL PIPE RUBBERS**

Rubber grommet fuel/petrol tank filler neck

40	9080	Petrol pipe rubber		1934
48	9080	Petrol pipe rubber	pass & comm.	1935-36
78	9080	Petrol pipe rubber	pass & comm	1937-40/41
21C	9080	Petrol pipe rubber	comm.	1942-47
8A	9080	Petrol pipe rubber	pass	1949
OA	9080	Petrol pipe rubber	pass	1950-51
7C	9080	Petrol pipe rubber	comm.F1	1948-52
BAAA	9080	Petrol pipe rubber	comm.	1953-55
B6C	9080	Petrol pipe rubber	comm.	1956
BA	9080 B	Petrol pipe rubber	pass	1952-56
B7A	9080	Petrol pipe rubber	pass & Tbrd	1957-58/60
B9A	9080	Petrol pipe rubber	pass	1959
C1TZ	9080	Petrol pipe rubber	comm.	1957-66

**FLEXIBLE FUEL LINES**

DESIGNED FOR NEW ZEALAND FUELS

BE	9288	Fuel line	flexible braided 4 cylinder	1932-34
11A	9288	Fuel line	flexible pass	1932-49
11A	9288	Fuel line	flexible comm.	1941-47
1A	9288	Fuel line	flexible	1951-58
7HC	9288	Fuel line	flexible comm.	1948-50

**FUEL PUMP RELATED**

18	6025	Fuel pump push rod Bush	pass & comm	1932-48
8BA	6025	Fuel pump push rod Bush	pass & comm	1949-54
11A	9349	Fuel pump repair kit for glass bowl	pass & comm	1932-54
18	9349 L	Fuel pump repair kit L	pass & comm.	1932-34
68	9350	Fuel pump assembly without glass bowl		1934-41
59A	9350	Fuel pump assembly with glass bowl		1942-48
8BA	9350	Fuel pump assembly with glass bowl		1949-54
B5A	9350 C	Fuel pump assembly single action	272-390	1955-66
B5A	9350 D	Fuel pump assembly double action	272/292/312	1955-58
48	9400 A	Fuel pump push rod 8.87" long	pass & comm	1932-48
48	9400 B	Fuel pump push rod 7.87" long	pass & comm	1934-39
8BA	9400	Fuel pump push rod 10.0" long	pass & comm	1949-54
COAE	9155 A	Fuel filter		

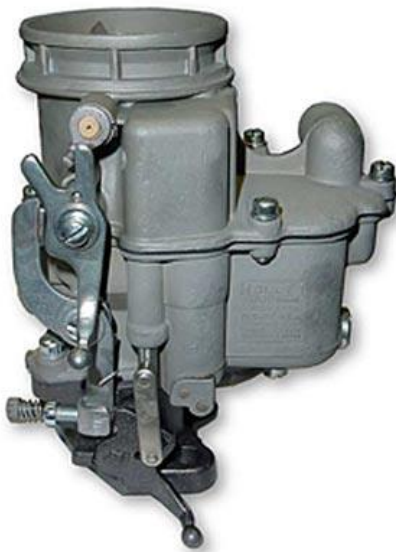
Please Contact Ajay's Ford V8 Parts for up to date Prices

[info@fordv8parts.com](mailto:info@fordv8parts.com)

07 212 8742

**CARBURETOR KITS & PARTS**

67	9502	Gasket set	Stromberg 97 carburetor	1935-38
81A	9502	Gasket set	Holley 94 carburetor	1939-54
78	9533	Carburetor jets	0.46 or 0.51	1938-48
59A	9533	Carburetor jets	0.51-94 or 0.56 Holley	
7HA	9564	Carburetor float needle valve & seat #94		1948-49
78	9564	Carburetor float needle valve & seat #94 Ford & Holley		1939-53
40	9564	Carburetor float needle valve & sea t#97 Stromberg		1933-38
67	9590	Carburetor repair kit Stromberg #97		1933-38
81A	9590	Carburetor repair kit #94 Ford & Holley		1939-56
8BA	9590	Carburetor repair kit Ford & Holley		1949-56
B5AZ	9590	Carburetor repair kit Holley 4V Christmas tree		1955
B6AZ	9590	Carburetor repair kit Holley 4V Christmas tree		1956
78	9631	Carburetor accelerator pump piston		1938-54
7RT	9678	Clamp air cleaner to carb top	comm. & Lg truck	1948-51
91A	9714	Carburetor Insulator accelerator & throttle rod end		1939-48
78	9904	Economiser (power) valve #94 Holley		1938-56



11A 9349

**REBUILT CARBURETORS**

94	RBT	Carburetor	Holley	rebuilt
97	RBT	Carburetor	Stromberg	rebuilt
	Core	Carburetor	Core charge	

At Ajay's we can have your carburetor rebuilt to amazing quality. Using the latest technology your carb will be better than new. As these are a limited item, we require your carb for rebuilding. If your carb is not able to be rebuilt or you do not have one, a core fee will apply.

**CHOKE & THROTTLE RODS & RELATED**

B	9700/75ss	Rods choke & throttle pair	pass& comm	1932-38/47
91A	9700/75ss	Rods choke & throttle pair		1939
O1A	9700/75ss	Rods choke & throttle pair	comm.	1940-41
B	9702	Choke & throttle rod joiners	pass & comm	1932-39
91A	9702	Choke & throttle rod joiners	pass & comm	1939-48
B	14605	Grommet choke & throttle rods	pass & comm	1932-56
B	9719	Grommet choke & throttle rods	black	1932-37
40	9719	Grommet choke & throttle rods	brown	1934-37
48	9719	Grommet choke & throttle rods	grey	1935-36
O1A	9719	Grommet choke & throttle rods rubber & die cast		1938-48
81A	9719 R	Grommet choke & throttle rods rubber		1938-48

**ACCELERATOR PEDALS & RELATED**

48	9727	Accelerator pedal rod		1935-48
21A	9735	Accelerator Pedal	pass	1935-38
48	9735	Accelerator pedal		1935-48
8A	9735	Accelerator pedal	pass	1949-50
1A	9735	Accelerator pedal	pass	1951
TAAA	9735	Accelerator pedal	comm	1948-56
B4A	9735	Accelerator pedal	pass	1952-54
B7A	9735	Accelerator pedal		1957-64
MG	9735	Accelerator pedal		1955-57
48	9737	Accelerator return spring LHD		1935-48
91A	9747	Accelerator link rod to carburetor 10.75"		1928-48
A	9765	Accelerator foot rest & base	comm	1932-47
B	9770	Accelerator foot rest base	comm	1932-47
7C	8112177	Seal Accelerator pedal rod to floor	comm.	1948-52
C2OZ	9793 A	Seal Accelerator pedal rod to floor	pass	1962-65



21A 9735



99A 9275



## ELECTRICAL

### VOLTAGE DROP DOWN & DASH GUAGE REGULATORS

B	10606	Drop down resister used for running 6 volt gauges on a 12 volt Conversion ceramic	1 per guage
SR	10606	Voltage Reducer electronic	1 per guage
D	10800	Voltage reducer electronic	multi guage
B9MZ	10804 C	Instrument cluster Voltage regulator Mercury	1957-66 & pass 1960-66

### OIL & PETROL SENDER UNITS

O1A	9275 6V	Fuel/Gas tank sender unit	com trk	1936-48/48-55
51	9275	Fuel/Gas tank sender unit		1935-36
99A	9275	Fuel/Gas tank sender unit	6V & 12V	1936-56/60
B6C	9275	Fuel/Gas tank sender unit	comm	1956
7C	9275 6V	Fuel/Gas tank sender unit	comm & truck	1948-52
C2OA	9275 B	Fuel/Gas tank sender unit	pass	1962-65
C1TZ	9275 K	Fuel/Gas tank sender unit	comm.	1961-77
68	9275 F	Fuel/Gas tank sender unit float brass	pass & comm	1936-55
68	9276	Gasket Fuel/Gas tank sender	ex 1948Comm	1932-56
B7A	9276 A	Gasket Fuel/Gas tank sender		1957-59
COAF	9276 A	Gasket Fuel/Gas tank sender		1965-72
B6A	9278	Fuel/Gas tank sender Oil pressure gauge		1954-66
41A	9278	Fuel/Gas tank sender Oil pressure gauge	#80psi	1935-54

### OIL PRESSURE GAUGES

68	9273	Oil pressure gauge	pass & comm.	1936
78	9273	Oil pressure gauge	pass & comm.	1937
81A	9273 A	Oil pressure gauge	standard	pass & comm. 1938
91A	9273 B	Oil pressure gauge	Deluxe pass	1939
99A	9273	Oil pressure gauge	Mercury	1939
11A	9273 B	Oil pressure gauge	pass	1941
11C	9273 A	Oil pressure gauge	comm.	1941-47
7RC	9273	Oil pressure gauge	comm.	1948-50
8A	9273 A	Oil pressure gauge		1949-50
8A	9273 B	Oil pressure gauge	pass	1949-50
1A	9273 A	Oil pressure gauge	pass	1951
1C	9273 A	Oil pressure gauge	comm.	1951-52



11A 9273 B

**FUEL GUAGES**

40	9324	Fuel gauge line & liquid kit	pass & comm.	1933-35
M	9280	Fuel gauge liquid	pass & comm.	1932-35
48	9280	Fuel gauge	pass & comm.	1935
91A	9280 B	Fuel gauge	Deluxe pass	1939
99A	9280	Fuel gauge	Mercury	1939
11A	9280 B	Fuel gauge	pass	1941
1A	9280 B	Fuel gauge	pass	1951
1C	9280 A	Fuel gauge	comm.	1951
B6C	9280	Fuel gauge	F100	1956

**AMMETER GUAGES**

C11A	10844 B	Battery charge gauge	pass	1941
91A	10844 B	Battery charge gauge	Deluxe pass	1939
99A	10844	Battery charge gauge	Mercury	1939
11A	10844 B	Battery charge gauge	pass	1941
B	10850	Ammeter gauge	pass & comm.	1932
40	10850	Ammeter gauge	pass	1933-34
46	10850	Ammeter gauge	comm.	1933-34
48	10850	Ammeter gauge	pass & comm.	1935
68	10850	Ammeter gauge	Deluxe pass	1936
68	10850	Ammeter gauge	pass & comm.	1936
81A	10850	Ammeter gauge	pass & comm.	1938
91A	10850	Ammeter gauge	pass	1939
21C	10850 B	Ammeter gauge	comm.& truck	1942-47
8A	10850 B	Ammeter gauge	pass	1949
7RC	10850	Ammeter gauge	comm.	1948-50
1A	10850	Ammeter gauge	pass	1951
B5A	10850	Ammeter gauge	pass	1955

**TEMPERATURE GUAGES**

68	10883	Temperature gauge & sender bulb	pass	1935-36
91A	10883	Temperature gauge & sender bulb	pass & comm	1937-39
11A	10883 B	Temperature gauge	pass	1941
1C	10883	Temperature gauge	comm.	1951
8A	10883 B	Temperature gauge	pass	1949-50
1A	10883 A	Temperature gauge	pass	1951
1A	10883 B	Temperature gauge white hand	pass	1951
B5A	10883 B	Temperature gauge	pass	1955

**TEMPERATURE SENDER UNITS**

E62A	10883	Temperature sender unit	V8 Pilot	1948-50
8A	10884	Temperature sender unit electric single contact 6V		1940-55
B7A	10884 A	Temperature sender unit 1/4" x18 x 15/16 long		1957-62
8A	10990	Temperature sender unit electric double contact		1942-54
C3AZ	10884 A	Temperature sender unit electric 1/8" x 27 x 1.5/8" long 12V		1963-64
B6C	10884	Temperature sender unit 12V	pass & comm.	1956

**GENRTATOR PARTS**

40	GEN	Generator rebuilt	3 brush	specify year & model	1933-38
91A	GEN	Generator rebuilt	2 brush	specify year & model	1939-48
78	10005	Armature 6V	2 brush		1939-40
79	10005	Armature 6V	3 brush	trucks over 1 ton	1937-38
79	10005 HA	Armature 6V	3 brush		1938-39
B5A	10005 A	Armature 6V	2 brush		1945-55
B6A	10005	Armature 12V	2 brush		1956-60
CO1A	10050	Generator end plate		with brushes	1940-49
CODF	10050	Generator end plate		with brushes	
91A	10043	Generator brush set		2 brush	1938-39
40	10069	Generator brush set		3 brush	1932-38
O1A	10069	Generator brush set		2 brush	1940-59
B	10094	Generator front bearing		4 cylinder	1928-32
18	10094	Generator front bearing cup & cone		3 brush	1932-38
79	10094	Generator front bearing heavy duty		2 brush	1937-41
8BA	10094	Generator front bearing			1940-64
78	10128	Generator bush rear end plate		0.80" long	1937-56
AB5A	10128	Generator bush rear end plate		1.20" long	1955
40	10175	Generator field coils	3 brush	pass & comm.	1933-34
81A	10175 A	Generator field coils	2 brush	pass & comm.	1939-48
B6A	10175 D	Generator field coils	12V brush	pass & comm.	1956-64

**VOLTAGE RUGULATORS & CUTOUTS**

B	10505	Cutout	3 brush generator	6 Volt	1928-38
51A	10505	Voltage regulator	2 brush generator	6 Volt	1939-55
B6A	10505	Voltage regulator	6V-12V convertor		1939-48
B6A	10505	Voltage regulator		12 Volt	1956-64
C3SZ	10316	Voltage regulator	aftermarket		1964-71



B 10505 V8



8A 10505

**STARTER & RELATED**

B	11000 RS	Starter motor Hi torque 12V			1932-54
B	11000	Starter motor rebuilt excludes Bendix Core Fee + 100.00			1932-48
B	11005	Armature starter	4 cylinder		1928-32
18	11005	Armature starter	V8		1932-55
91A	10049	Plate front end			1932-48
18	11052	Brushing front end plate			1932-59
18	10057	Brush set starter	4 pieces		1932-48
40	10057	Generator brush spring		pass & comm.	1929-39
B	11059	Brush spring starter motor			1928-61
B	11135	Starter bush rear bendix end plate			1928-54
1CM	11135	Starter bush rear bendix end plate			1951-59
91A	11140	Bracket starter motor mount bolt to sump pan (a Must)			1932-54
B	11350	Bendix assembly starter complete with spring			1932-48
	11375	Spring bendix anti clockwise spiral			1932-49

**STARTER SWITCHES**

BE	11450	Starter switch	4 Cylinder	1932
40	11450	Starter switch	pass & comm.	1932-34
48	11450	Starter switch	pass & comm.	1935-36
21A	11450	Starter switch	solenoid Bakelite body like original	1937-51
B5A	11450	Starter switch	solenoid 6V	1951-55
B6A	11450	Starter switch	solenoid 12V	1956-64
E62A	11450 B	Starter switch	solenoid V8 Pilot	1948-50
O1A	11450	Starter switch	solenoid 6V steel body	1937-54

**STARTER BUTTONS**

78	11500	Starter button	yellow/brown	1937
81A	11500	Starter button	pink	1938
91A	11500	Starter button	light yellow	1939
O1A	11500	Starter button	sand	comm. 1940-41
11A	11500	Starter button	tan	1941-48
6A	11500	Starter button	chrome	pass & comm 1937-51
2C	11500	Starter button		comm. 1952-55
21A	11500	Starter button	maroon	1942
21C	11500	Starter button	black	comm 1941-51

**IGNITION SWITCHES & PLATES**

B	11556	Plate ignition switch on/off	pass & comm	1932
40	11556	Plate ignition switch on/off	pass & comm	1932-34
48	11556	Plate ignition switch on/off	pass	1935-36
48	11556	Plate ignition switch on/off	comm.	1935-37
78	11556	Plate ignition switch on/off	also 1937	1940-48
81A	11556	Plate ignition switch on/off	C 1942-47	1938-39
6A	11572	Ignition switch not bezel or cyl & keys	pass & comm	1949-50
B5A	11572 A	Ignition switch less cyl & keys	pass	1952-59
B5A	11572 A	Ignition switch less cyl & keys	comm.	1954-60
C7UZ	11572	Ignition switch less cyl & keys	Fairlane	1962-65
B9A	11582	Ignition lock cylinder & keys	pass	1952-59
B9A	11582	Ignition lock cylinder & keys	comm.	1953-66
C3AZ	11582	Ignition lock cylinder & keys	pass	1960-69
C3AZ	11582	Ignition lock cylinder & keys	Fairlane	1962-64
C5AZ	11582	Ignition lock cylinder & keys	Fairlane	1965
BA	11582	Matching ignition & door lock cylinders & keys		1952-60
C3AZ	11582	Matching ignition & door lock cylinders & keys		1963-64



B 11556



78 11556



81A 11556

**WIRING**

Wiring looms are cotton braided and complete including main, headlamp & tail looms excluding head & tail lamp pigtails and come with simple to understand instructions – please allow several weeks for delivery. Indicator wires can be added for an extra cost.

40	13410	Wire Taillight socket		pass & comm.	1933-36/52
A	13410	Wire Taillight Socket		Pass & comm.	1928-32/42
8A	13410 B	Wire Taillight socket		pass	1949-50
BAAA	13410	Park Light socket		pass & comm.	1952-56/60
B	14424	Wiring loom	taillight cross over	most models	1932-41
B	14401	Wiring loom	main/cowl loom only	4 cyl	1932
18	14401	Wiring loom	main/cowl loom only	8 cyl	1932
40	14401	Wiring loom	main/cowl loom only	pass	1933-34
48	14401	Wiring loom	main/cowl loom only	pass	1935-36
78	14401	Wiring loom	main/cowl loom only	pass	1937
81A	14401 A	Wiring loom	use with 3 brush generator	pass	1938
81A	14401 B	Wiring loom	use with 2 brush generator	pass	1938
91A	14401 B	Wiring loom	use with 2 brush generator	pass	1939
O1C	14401	Wiring loom	main/cowl loom only	comm.	1940
11C	14401	Wiring loom	main/cowl loom only	comm.	1941
21A	14401	Wiring loom	main/cowl loom only	pass & Mercury	1942-48
21C	14401	Wiring loom	main/cowl loom only	comm.	1942-47
B5A	14401 H	Wiring loom	cowl & dash wiring LHD V8	pass	1955
B6A	14401 F	Wiring loom	cowl & dash wiring LHD V8	pass	1956
B5A	14401	Wiring loom	cowl & dash wiring RHD V8	pass	1955
8C	14400	Wiring loom	main & headlight loom RHD	comm.	1948-51
8A	14400	Wiring loom	complete RHD	pass	1949-50
1A	14400	Wiring loom	complete RHD	pass	1951
78	14405	Wiring loom	taillight not cross over to LH side	taillight	1937-41
21A	14405	Wiring loom	taillight with cross over to LH side	pass	1941-48
21C	14405	Wiring loom	taillight with cross over to LH side	comm	1941-47
91A	14405	Wiring loom	taillight with cross over to LH side		1939-41
91A	14415	Wiring loom	rear licence/number plate lamp		1938-48

**HOT ROD WIRING KITS**

RW	8C6V	Wiring Kit	8 circuit PVC coated	6 volt
RW	8C12V	Wiring Kit	8 circuit PVC coated	12 volt
RW	9-3 12V	Wiring Kit	9 +3 circuit PVC coated	12 volt
RW	14C12V	Wiring Kit	14 circuit PVC coated	12 volt
RW	20C12V	Wiring Kit	20 circuit PVC coated	12 volt

**WIRING LOOM GROMMETS & CLIPS**

B	14585 S	Clips Small	tail light wiring to chassis	kit of 10 pieces	1928-48
B	14585 L	Clips Large	tail light wiring to chassis	kit of 10 pieces	1928-48
40	14603	Grommet	main wiring loom firewall	pass	1933-34
48	14603	Grommet	main wiring loom firewall	pass & comm.	1935-47/48
8A	14603 B	Grommet	main wiring loom firewall	pass & Mercury	1949-50/51
1A	14603 B	Grommet	main wiring loom firewall	pass	1951-59
1A	14603 B	Grommet	main wiring loom firewall	comm.	1948-56
8A	14608	Retainer	wiring loom	pass	1949-59
8A	14608	Retainer	wiring loom	comm.	1948-56



**LIGHT SWITCHES**

B	11652	Light switch	headlight	pass & comm.	1928-37
81A	11652	Light switch	headlight	pass & comm.	1938-39
7RA	11652 <sup>Eco</sup>	Light switch	headlight economy		1941-47
11A	11652	Light switch	headlight 6V	pass & comm.	1941-48/50
O1A	11652	Light switch	headlight 6V	comm.	1940
7RA	11654	Light switch	headlight 6V	comm. & truck	1948-50
FAA	11654	Light switch	headlight 6V	pass & comm.	1950/51-54
B7A	11654	Light switch	headlight 12V	pass	1956-57
B8A	11654	Light switch	headlight 12V	pass	1958-59
C2AB	11654	Light switch	headlight 12V	pass	1961-64

**COILS**

8BA	12024	Coil	6 volt (as originally fitted 1949-55)		1932-56
8BA	12029	Coil	6 volt conventional type		1932-56
B6A	12029	Coil	12 volt (as originally fitted from 1956)		1928-70
B6AZ	12029	Coil	12 volt (mustard top like original)		1928-70

**COIL ADAPTER PLATES**

40	12300/12036	Coil adapter kit		pass & comm.	1932-36
78	12300/12036	Coil adapter kit		pass & comm.	1937-41

**DISTRIBUTOR PARTS**

18	12104	Gasket set	3 hole mounting	pass & comm.	1932-36
78	12104	Gasket set		pass & comm.	1937-41
21A	12104	Gasket set	2 hole mount & crab	pass & comm.	1942-44
18	12140	Gasket set	ignition coil to distributor or adapter	pass & comm.	1932-36
78	12140	Gasket each	ignition coil to distributor or adapter	pass & comm.	1937-41
68	12143	Gasket	timing cover	pass & comm.	1932-41
1GA	12413	Gasket	timing cover crab & 59A		1942-48
11A	6280	Distributor adapter fits early dist. to late motor* *(for 37-41 D to fit 1942-48 E)			
21A	6280	Distributor adapter fits crab dist. to early motor			
40	12120	Bush distributor housing front		pass & comm.	1932-41
1GA	12120	Bush distributor points plate		pass & comm.	1942-48
7RA	12120 B	Bush distributor housing upper		pass & comm.	1949-56/57
B7A	12120	Bush distributor housing upper		pass & comm.	1957-63
18	12132	Bush distributor housing rear			1932-48
7RA	12132	Bush distributor housing lower		pass & comm.	1949-54
11A	12175	Distributor Shaft	only	pass & comm.	1936-41
11A	12176	Distributor cam & weights assembly		pass & comm.	1937-48
21A	12187	Distributor shaft	with cam & weights	pass & comm.	1942-48
7RA	12175	Distributor shaft	only	pass & comm.	1949/48-53
21A	12226	Vacuum pipe	carb to distributor		1942-48
FAB	12370	Vacuum advance		pass & comm.	1954-56
7RA	12370 B	Vacuum advance	8cyl (6 cyl 49-70)	pass & comm.	1949-53
B8/7A	12370	Vacuum advance		truck	1958-59
18	12220	Vacuum brake plunger & leather			1932-48
7RA	12390 C	Distributor gear	shaft end driven	pass & comm.	1948/49-52

**CONDENSORS**

18	12300 B	Distributor condenser	for 3 bolt coil	1932-36
78	12300	Distributor condenser	for 2 bolt coil	1937-41
1GA	12300	Distributor condenser	for crab distributor	1942-48
1GA	12300 RP	Distributor condenser	for crab distributor pass & comm.	1942-48
E62A	12300	Distributor condenser	for Pilot	1948
7RA	12300	Distributor condensar	V8 & 6 (57-68 6cyl)	1949-56
C2OZ	12300	Distributor condenser	V8, Truck & 6cyl (8cyl 68-71)	1957-65
1GA	12312	Distributor condenser	seal/boot for crab distributor	1942-44

**DISTRIBUTOR ADAPTER PLATE**

Adapter plate enables to fit a crab type distributor onto a 1934-39 engine without changing the timing cover

21A	6280	Distributor adapter fits crab dist. to early motor
-----	------	--

**REBUILT DISTRIBUTORS**

Ajay's has a selection of rebuilt distributors available and we can have yours rebuilt. Prices vary depending on the condition of the core supplied. Core fee applies.

**TERMINAL & DISTRIBUTOR CAPS & RELATED**

18	12105 B	Terminal cap	outer	1932-41
59A	12105	Terminal cap	outer cover 2 piece	pass & comm. 1946-48
21A	12106	Distributor cap	Crab 8cyl	pass & comm. 1942-48
59A	12106	Distributor cap	round use with 2 pc cap	pass & comm. 1946-48
FAB	12106	Distributor cap	8 cyl	pass & comm. 1949-56
B7A	12106	Distributor cap		pass & comm. 1957-70/71
7V	12116	Distributor cap	English Thames Pilot	truck 1941-50
18	12113	Seal distributor terminal cap to leads pair		1932-41
59A	12113	Seal distributor terminal cap to leads pair		pass & comm. 1942-48
FDS	12113	Seal distributor terminal cap to leads set		1942-48



21A 12106



59A 12106



B7A 12106

**DISTRIBUTOR POINTS**

18	12107	Points set	adjusting point with fine thread	1932-34
40	12107	Points set		1934-36
78	12107	Points set		1937-48
7RA	12171	Points set		1949-54
FAB	12171 B	Points set		pass & comm. 1954-56
B7A	12171	Points set		pass & comm. 1957-70/77
B	12199	Points set		4 cylinder 1932-34
E62A	12199	Points set		Pilot

**DISTRIBUTOR ROTORS**

48	12201	Rotor		pass & comm.	1933-36
68	12201	Rotor		pass & comm.	1937-41
21A	12200	Rotor	use with Crab dist.	pass & comm.	1942-47/48
59A	12200	Rotor	Non Crab dist. 2 piece	pass & comm.	1946-54/60
1GA	12200	Rotor	6 cylinder	pass & comm.	1941-47
B7A	12200	Rotor			1957-77
7RA	12200	Rotor			1949-56

**RESISTORS & CIRCUIT BREAKERS**

18	12250	Ignition resister	original style	pass & comm.	1932-47/48
11A	12250 D	Resistor & circuit breaker		pass & comm.	1941-48
21A	12257	Coil mounting bracket	(use on earlier models if coil adapter fitted)		1942-48
OA	12258	Circuit breaker assembly & fuse			1949-50
FDA	12258	Circuit breaker assembly & fuse			1951-55
7RA	14526	Circuit breaker	15amp		1950-54

**SPARK PLUG WIRE LEAD SETS**

UNV	12259	Spark plug wire lead set (90° ends) top quality			Universal
18	12259	Spark plug wire lead set black braided			1932-36
78	12259cc	Spark plug wire lead set colour coded			1937-41
21	12259cc	Spark plug wire lead set Crab colour coded			1942-46
59A	12259	Spark plug wire lead set black braided			1945-48
FAA	12111-2k	Spark plug wire lead mounting bracket		comm.	1952-64

**SPARK PLUGS**

40	12405	Spark plugs	21 Stud engines 18mm	pass & comm.	1933-36
O1A	12405	Spark plugs	24 Stud engines	pass & comm.	1939-54
B7A	12405 A	Spark plugs		pass & comm.	1955-56
B7A	12405 B	Spark plugs		pass & comm.	1955-59
B8A	12405 A	Spark plugs		pass & comm.	1958-64



18 12259

## HEAD, TAIL & PARK LAMPS

### HEADLAMP BULB & BEAM UNITS

B	13007Q6	Bulb Headlamp	6v Quartz Halogen H4	most
B	13007Q12	Bulb Headlamp	12v Quartz Halogen H4	most
48	13007Q	Bulb Headlamp	6 or 12v Quartz Halogen	most
B	13007	Bulb Headlamp	6 volt	pass & comm. 1928-34
B	13007	Bulb Headlamp	12 volt	pass & comm. 1928-34
48	13007	Bulb Headlamp	6-8 volt	pass & comm. 1935-39
51A	13007	Headlamp Sealed Beam 7"	6v RHD	pass & comm. 1940-55
51A	13007	Headlamp Sealed Beam 7"	12v RHD	pass & comm. 1940-55
51A	13007	Headlamp Sealed Beam 7"	12v RHD Quartz Halogen	
51A	13007	Headlamp Semi-sealed for H4 Quartz halogen	Flat or curved	
E93A	13060	Headlight Semi-sealed for English pre focus bulbs		

### HEADLAMP GASKETS

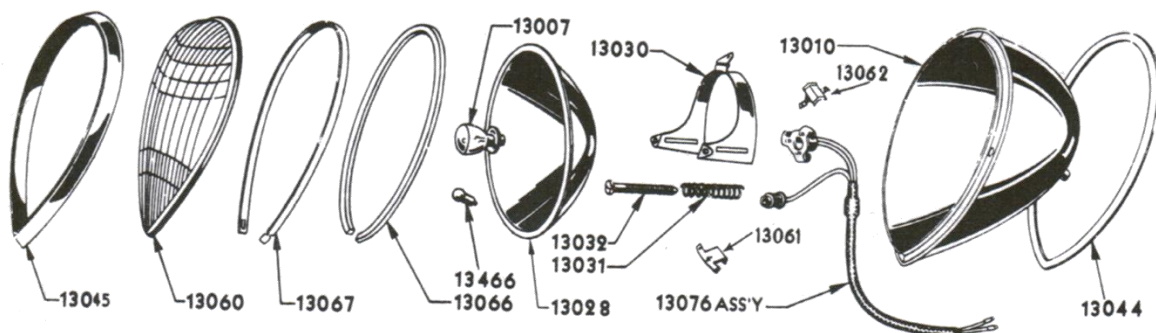
78	13044	Gasket Head light to fender	pass	1937-39
91A	13044	Gasket Head light to fender	Deluxe & Merc	1939
O1A	13044	Gasket Head light to fender	pass & comm.	1940/41
11A	13044	Gasket Head light bucket to fender	pass & comm.	1941/57
B	13066	Gasket Head light rim to lens	pass & comm.	1928-36/39
78	13066	Gasket Head light rim to lens	pass	1937-39
78	13067	Gasket Retainer bails brass		1937-39

### HEADLAMP RIMS

78	13045	Head light rim	pass	1937-39
91A	13045	Head light rim	Deluxe & Merc	1939
O1A	13405 B	Head light rim	comm.	1940-41
21A	13045	Head light rim ribbed chrome	pass & comm.	1942-46/47
6A	13045	Head light rim smooth chrome	pass	1947-48
B5C	13045	Head light rim	pass & comm.	1949-50/55
FAD	13064	Head light rim chrome	pass & comm.	1949-50/55
B6C	13064 A	Head light rim stainless steel	comm.	1956
B6C	13064	Head light rim chrome	comm.	1956
B7C	13064	Head light rim	comm.	1957

### HEADLAMP VISOR

HR	Plain	Headlamp visor 7"	Stainless Steel	Plain	each
HR	Red	Headlamp visor 7"	Stainless Steel	Red jewel	each
HR	Blue	Headlamp visor 7"	Stainless Steel	Blue jewel	each



**HEADLAMP LENSES**

B	13060	Headlamp lens	pass & comm.	1932
40	13060 S	Headlamp lens	pass & comm.	1933-34
48	13060 S	Headlamp lens	pass & comm.	1935/39
68	13060 S	Headlamp lens	pass	1936
68	13060	Headlamp lens non script	pass	1936
78	13060 S	Headlamp lens	pass	1937
78	13060 CL	Headlamp lens clear lens for qtz Halogen	pass	1937
81A	13060	Headlamp lens	pass	1938-39
91A	13060	Headlamp lens	Deluxe pass	1939
91A	13060 CL	Headlamp lens clear lens for qtz Halogen	Deluxe pass	1939
O1A	13060 A	Headlamp lens	pass	1940
11A	13060	Headlamp lens semi-sealed for American pre focus bulbs	pass & comm.	1941
E62A	13606	Headlamp lens Pilot	pass & comm.	1937-49

**HEADLAMP RETAINER CLIPS**

B	13061 S	Head light lens clip set	pass & comm.	1932
40	13061 S	Head light lens clip set	pass & comm.	1933-34
48	13061 S	Head light lens clip set	pass & comm.	1935-36/39
78	13061 K	Head light bucket hardware kit	pass	1937-39
91A	13061 K	Head light bucket hardware kit	Deluxe pass	1939
91A	13061	Head light bucket lower rim retainer clip	Deluxe pass	1939

**HEADLAMP SOCKETS**

B	13076	Head light socket assembly 2 bulb	pass & comm.	1932
46	13076 B	Head light socket assembly 3 bulb	comm.	1932-34
48	13076	Head light socket assembly set	pass & comm.	1935-36/39
91A	13076	Head light socket assembly	pass	1937-39
O1A	13076	Head light socket assembly	pass & comm.	1940/41
11A	13076	Head light socket assembly	pass & comm.	1941-48/47
B5A	13076	Head light socket assembly	pass & comm.	1941-48/47

**HEADLAMP BAR & EMBLEM**

B	13114 S	Headlight Bar Stainless steel	pass & comm.	1932
18	13122	Head light bar Emblem "V8"	pass & comm.	1932



18 13122

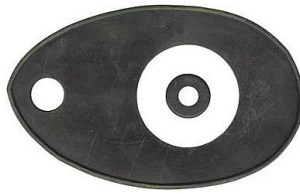


B13114 S





B 13130



40 13130



68 13130

### HEADLAMP TO FENDER PADS

B	13130	Head light to fender pads	pair	pass & comm.	1932/33-34
40	13130	Head light to fender pads	pair	pass & comm.	1933-34/35-37
48	13130	Head light to fender pads	pair	pass	1935
68	13130	Head light to fender pads	pair	pass	1936
81C	13130	Head light to fender pads	pair	comm. & truck	1938-39/41

### HEADLAMPS & PARTS

O1A	13018 SS	Head light retainer ring- sealed & semi sealed beam			1940-70
O1A	13018 C	Head light retainer ring- sealed & semi sealed beam			1940-70
78	13026 PR	Head light bucket assembly		pass	1937-39
91A	13026 PR	Head light bucket assembly		Deluxe pass	1939
O1A	13026 PR	Head light bucket assembly		pass & comm.	1940/41
*		Prices are indicative only			
O1A	13026 HK	Head light bucket to fender mounting kit			
78	13032	Head light bucket aiming screw & spring set		pass	1937-39
8A	13032	Head light bucket aiming screw		pass & comm.	1941-59
B8A	13032	Head light bucket aiming screw		pass & comm.	1959
B	13027	Head light reflector	QK12TS	pass & comm.	1932
40	13027	Head light reflector	QK12TS	pass & comm.	1933-34
48	13027	Head light reflector	QK12TS	pass & comm.	1935-36/39
78	13027	Head light reflector	QK12TS	pass	1937-39
B	13028	Head light reflectors Chrome		pass	1932
40	13028	Head light reflectors Chrome		pass & comm.	1933-34
48	13028	Head light reflectors Chrome		pass & comm.	1935-36/39
78	13028	Head light reflectors Chrome		pass	1937-39
48	13029	Head light reflector clip set		pass & comm.	1935-36/39
78	13030	Head light reflector retainer ring & hardware		pass	1937-39
91A	13030	Head light reflector retainer ring & hardware		Deluxe pass	1939
A	13044ASS	Head light rim latch Repair kit		pass	28-29/33-34
A	13044BSS	Head light rim latch Repair kit		pass & comm.	1930-36/41
B	14578 S	Head light Conduit set		pass	1932
B	13119 SS	Bolt head light car to fender stainless		pass & comm.	1932
40	13119 BK	Bolt head light car to fender black not hollow		pass & comm.	1933-34/37
40	13119 BK	Bolt head light car to fender black hollow		pass & comm.	1933-34/37
40	13119 SS	Bolt head light car to fender stainless hollow		pass & comm.	1933-34/37
40	13119 SS	Bolt head light car to fender stainless not hollow			1933-34/37

**COWL LAMPS & PARTS**

B	13302	Cowl lamp stainless pair	pass	1932
40	13302	Cowl lamp stainless pair		1933-34
40	13302TS	Cowl lamp stainless pair with indicators		1933-34
B	13308	Cowl lamp lens	pass & comm.	1932
40	13308	Cowl lamp lens		1933-34
B	13324	Cowl lamp arm pads pair (ex 3 win coupe)	pass	1933
40	13324	Cowl lamp arm pads pair		1933-34
V	18852	Spot light cowl/pillar mounted	6 or 12 volt	
V	18853	Spot light mounting bracket	comm.	1953-56

**FOGLIGHTS**

B	18207	FA5	6V	Fog Lights	pair	5"	amber lens	<i>Ford script</i>	1932-54
B	18207	FC5	6V	Fog Lights	pair	5"	clear lens		
B	18207	FA5	12V	Fog Lights	pair	5"	amber lens	<i>Ford script</i>	1932-54
B	18207	FC5	12V	Fog Lights	pair	5"	clear lens		
B	18207	FA6	6V	Fog Lights	pair	6"	amber lens	Ford Script	
B	18207	FC6	6V	Fog Lights	pair	6"	clear lens		
B	18207	FA6	12V	Fog Lights	pair	6"	amber lens	Ford Script	
B	18207	FC6	12V	Fog Lights	pair	6"	clear lens		
B	18207	BKT1		Brackets	pair			for bumper iron mounting	
B	18207	BKT2		Brackets	pair			for stone tray mounting	
B	18207	L6		Lenses	foglight	amber	5" or 6" (please specify)	6volt	
B	18207	L12		Lenses	foglight	amber	5" or 6" (please specify)	12volt	
XRL	18207	6V		Relay	6V for fog light				



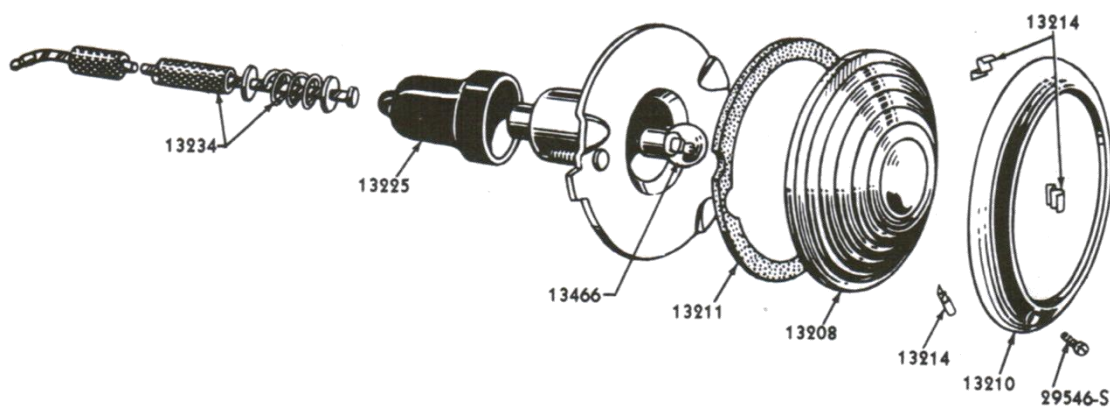
40 13302



40 13302 TS

**PARKLAMP ASSEMBLIES**

O1T	13200	Park light assembly		comm.	1941
21A	13200	Park light assembly	oblong	pass	1942-46
6A	13200	Park light assembly	round	pass & comm.	1947-48/42-47
7C	13200	Park light assembly		comm.	1948-50
7RC	13200	Park light assembly	stainless door	comm.	1948-50
1C	13200	Park light assembly		comm.	1951-52
FAD	13200	Park light assembly		comm.	1953-54
B5A	13200	Park light assembly	with indicators	comm.	1955
B6A	13200	Park light assembly		comm.	1956
B7A	13200	Park light assembly		pass	1957
D3TZ	13200 A	Park light assembly	Left or Right	comm.	1973-74
DOTZ	13200	Park light assembly	Right	comm.	1970-72
OA	13215/6	Park light body	Right & Left hand pair	pass	1940-46

**PARKLAMP LENSES**

O1A	13208	Park light lens		comm.	1940
O1T	13208	Park light lens	Glass	comm.	1940-41/42-47
11C	13208	Park light lens		comm.	1941
21A	13208	Park light lens	oblong	pass	1942-46
6A	13208	Park light lens	round	pass & comm.	1947-48/42-47
7C	13208	Park light lens	clear plastic	comm.	1948-50
7C	13208AMB	Park light lens	amber plastic	comm.	1948-50
8A	13208	Park light lens	right hand	pass	1949
8A	13208	Park light lens	Glass Right hand	pass	1949
OA	13208	Park light lens	plastic	comm.	1950
1A	13208	Park light lens	plastic	pass	1951
1C	13208	Park light lens	clear plastic	comm.	1951-52
B5A	13208	Park light lens		pass	1955
B5C	13208 B	Park light lens	Clear plastic	comm.	1955-56
B5C	13208AMB	Park light lens	Amber plastic	comm.	1955-56
B6A	13208	Park light lens		pass	1956
B7A	13208 A	Park light lens	Right hand	pass	1957
B8A	13208 A	Park light lens	Right hand	pass	1958
B8S	13208 PR	Park light lens	Park light lens R & L	T bird	1958-60
B9AF	13208 A	Park light lens	Right & Left hand	pass	1959
C2DB	13208 B	Park light lens	clear R & L	Fairlane	1962-63
C3AZ	13208 B	Park light lens	clear	Fairlane	1964-65
8A	13209	Park light lens	Glass left hand	pass	1949
29A	13209	Park light lens	Left hand	Mercury	1942-48
COAF	13209	Park light lens	left hand	big car	1960

**PARKLAMP RIMS**

O1A	13084	Park light rim use with original surround		pass & comm	1940/41
21A	13210	Park light rim	rectangular	pass	1941
51A	13210	Park light rim	rectangular	pass	1942-46
6A	13210	Park light rim	round	pass & comm	1947-48/42-47
C01T	13210	Park light rim		large truck COE	1940-41/47
7C	13210	Park light rim		comm	1948-50
1C	13210	Park light rim		comm.	1951-52
1A	13210	Park light rim		pass	1951
FAC	13210 A	Park light rim		comm.	1953-54
B5C	13210 ss	Park light rim		comm.	1955
B6C	13210	Park light rim		comm.	1956

**PARKLAMP GASKETS**

O1A	13085	Park light lens gasket	pair	pass & comm.	1940/40-41
21A	13211	Park light lens gasket	pair	pass	1942-46
21T/C	13211	Park light lens gasket	pair	pass & comm.	1947-48/42-47
8A	13211	Park light lens gasket	pair	pass	1949
OA	13211	Park light lens gasket	pair	pass	1950
1A	13211	Park light lens gasket	pair	pass	1951
FAA	13211	Park light lens gasket	pair	pass	1952-54
B5A	13211	Park light lens gasket	pair	pass	1955
B6A	13211	Park light lens gasket	pair	pass	1956
B7A	13211	Park light lens gasket	pair	pass	1957
B8A	13211	Park light lens gasket	pair	pass	1958
C2DB	13211	Park light lens gasket	pair	Fairlane	1962-63
C1AB	13211	Park light lens gasket	pair	Fairlane	1964-65
7RA	13211	Park light lens gasket	pair	Mercury	1949
7RC	13211	Park light lens gasket	pair	comm.	1948-50
1C	13211	Park light lens gasket	pair	comm.	1951-52
FAE	13211	Park light lens gasket	pair	comm.	1953-54
B5C	13211	Park light lens gasket	each	comm.	1955-56
B7C	13211	Park light lens gasket	pair	comm.	1957-63
29A	13217	Park light to fender pads	pair	Mercury & pass	1942-48
21A	13217	Park light to fender pads	pair	pass	1942-46
21C/T	13217	Park light to fender pads	pair	pass & comm.	1947-48/42-47
8A	13217 B	Park light to fender pads	pair	pass	1949
OA	13244	Park light to fender pads	pair	pass	1950
B7S	13217 A	Park light to fender pads	pair	T-bird	1957-60

**PARKLAMP BULBS**

Available in 6 volt & 12 volt, please specify.

B	13466	Park lamp bulb	without indicators	pass	1928-51
B	13466	Park lamp bulb	without indicators	comm.	1928-55
78	13466	Park lamp bulb	6V	pass & comm.	1937-55
78	13466	Park lamp bulb	12V	pass & comm.	1937-55
B6A	13465	Park lamp bulb		pass & comm.	1956-66
11A	13465	Park lamp bulb	with indicators	pass & comm.	1942-55

**INDICATOR PARTS & SWITCHES**

A	13340	Switch turn signal/indicator mounts on steering column	chrome
U	13340	Switch turn signal/indicator with Hazard switch	chrome
B6C	13340	Switch turn signal/indicator	comm. & PU 1956-60

These switches clamp onto the steering column and no drilling or cutting is required.  
They are 7 wire design which means you can run them through your existing stop/tail lights.  
le. No extra rear lights required. Simple wire diagram is included.

A	13350 6V	Turn signal flasher unit	6 Volt
A	1335012V	Turn signal flasher unit	12 Volt
B5A	133506V	Turn signal flasher unit	6 Volt
A	13350 E	Turn signal flasher unit	6 Volt Electric

**ROD LITES**

HR	13302	Rod light indicator light single filament	small
HR	13302	Rod light indicator light double filament	medium
HR	13302	Rod light indicator light double filament	large

**LED LIGHTS**

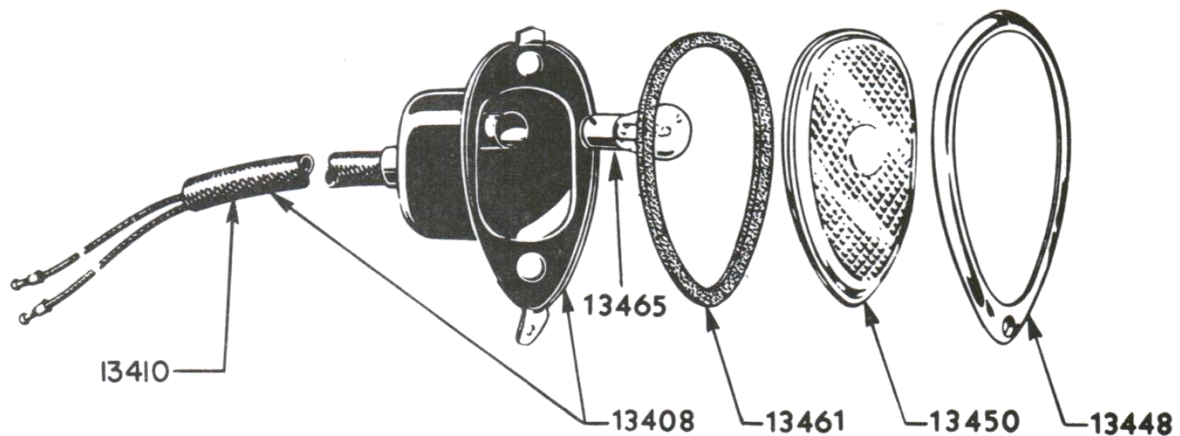
Ajay's has a wide range of LED Rod & Standard Lights in stock to suit you & your car. Available in Tear Drops, Round Tail Lights and smaller Indicator lights. Some designed with multi functions, including turn signal. Designed to replicate original lights and to fit into the same frames. Dress up kits are also available. Please enquire.



**TAILLAMP ASSEMBLIES (Blue Dots &/or Indicators Optional)**

Please state 6 or 12 Volt when ordering tail lamps.  
 ALSO AVAILABLE IN LED LIGHTS

A*	13402RBD	Tail light assembly	LH Stainless	comm.	1928-31
A*	13402LBD	Tail light assembly	RH Stainless blue dot	comm.	1928-31
*Use when requiring turn indicators instead of B 13402					
B	13402	Tail light assembly	LH Black	comm.	1932-42
B	13402BD	Tail light assembly	LH Black blue dot	comm.	1932-42
B	13403	Tail light assembly	RH Black	comm.	1932-42
B	13403BD	Tail light assembly	RH Black blue dot	comm.	1932-42
18	13402	Tail light assembly	LH Stainless	pass & comm.	1932/32-42
18	13402BD	Tail light assembly	LH Stainless blue dot	pass & comm.	1932/32-42
18	13403	Tail light assembly	RH Stainless	pass & comm.	1932/32-42
18	13403BD	Tail light assembly	RH Stainless blue dot	pass & comm.	1932/32-42
40	13402	Tail light assembly	LH Stainless	pass & comm.	1933-36/46-52
40	13402BD	Tail light assembly	LH Stainless blue dot	pass & comm.	1933-36/46-52
40	13403	Tail light assembly	RH Stainless	pass & comm.	1933-36/46-52
40	13403BD	Tail light assembly	RH Stainless blue dot	pass & comm.	1933-36/46-52
48	13402	Tail light assembly	LH Black	comm.	1942-56
48	13402BD	Tail light assembly	LH Black blue dot	pass & comm.	1933-36/46-52
48	13403	Tail light assembly	RH Black	comm.	1942-56
48	13403BD	Tail light assembly	RH Black blue dot	pass & comm.	1933-36/46-52
78	13402	Tail light assembly	LH Stainless	pass	1937
78	13402BD	Tail light assembly	LH Stainless blue dot	pass	1937
78	13403	Tail light assembly	RH Stainless	pass	1937
78	13403BD	Tail light assembly	RH Stainless blue dot	pass	1937
81A	13405	Tail light assembly	S/S rim Economy	pass	1938-39
81A	13405BD	Tail light assembly	S/S rim black blue dot	pass	1938-39
O1A	13405	Tail light assembly	S/S rim black	pass	1940
O1A	13405BD	Tail light assembly	S/S rim black blue dot	pass	1940
21A	13405	Tail light assembly	S/S rim black	pass	1942-48
21A	13405BD	Tail light assembly	S/S rim black blue dot	pass	1942-48
B5C	13402	Tail light assembly	S/S rim black	comm.	1953-56
B5C	13402BD	Tail light assembly	S/S rim black blue dot	comm.	1953-56

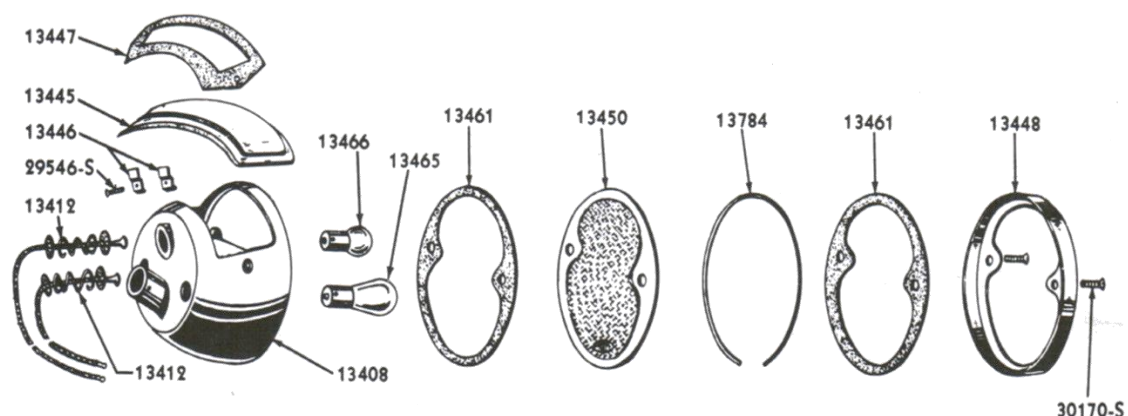


**LICENCE PLATE BRACKETS**

B	5034	Front licence plate bracket	black	pass	1932
40	5034	Front licence plate bracket	black	pass & comm.	1933-36
40	5034	Front licence plate bracket	stainless	pass & comm.	1933-36
78	5034	Front licence plate bracket	stainless	pass & comm.	1937-39
91A	5034	Front licence plate bracket	black	pass & comm.	1939-41
91A	5034	Front licence plate bracket	stainless	pass & comm.	1939-41
21A	5038	Front licence plate bracket up right only	black	pass & comm.	1942-48
8A	5039	Licence plate bracket pad		pass	1955-56
A	13406	Rear licence plate bracket	black	pass & comm.	1928-31/2947
A	13406	Rear licence plate bracket	stainless	pass & comm.	1928-31/29-47
B	13406	Rear licence plate bracket	black	pass & comm.	1932/48-66
B	13406	Rear licence plate bracket	stainless	pass & comm.	1932/48-66
40	13406	Rear licence plate bracket	black	pass & comm.	1933-36/46-52
40	13406	Rear licence plate bracket	stainless	pass & comm.	1933-36/46-52
40	13406/70	Licence plate & Tail light bracket S/S		comm.	1936-56
78	13406	Rear licence plate bracket	black	pass	1937
O1A	13406	Rear licence plate bracket	black	pass	1938-48
O1A	13406	Rear licence plate bracket	stainless	pass	1938-48

**LICENCE PLATE LENSES**

B	13445	Licence plate light lens		pass & comm.	1928-32/33-42
40	13445	Licence plate light lens		pass & comm.	1933-36/46-52
78	13445	Licence plate light lens		pass	1937
91A	13564	Licence plate light lens		pass	1938-39
99A	13564	Licence plate light lens		pass & Mercury	1941-48/39
7RA	13564	Licence plate light lens		pass	1949-52
C1TB	13564	Licence plate light lens		pass	1952-58
B7A	13564	Licence plate light lens		pass	1957-59
C4AZ	13564	Licence plate light lens		pass	1962-69
40	13446	Licence plate lens retainer clip set		pass & comm.	1933-36/46-47
40	13447	Gasket licence plate light lens		pass & comm.	1933-36/42-52
81A	13446	Licence plate to body gasket		pass	1938-48
81A	13568	Gasket set licence plate light lens		pass	1938-39
O1A	13568	Gasket set licence plate light lens		pass	1940-48
7RA	13568	Gasket set licence plate light lens		pass	1949-51



**TAIL LAMP RIMS**

A	13448	Tail light lens rim			1928
B	13448	Tail light lens rim	black	pass & comm.	1932/32-42
B	13448	Tail light lens rim	Stainless	pass & comm.	1932/32-42
40	13448	Tail light lens rim	black	comm.	1946-52
40	13448	Tail light lens rim	stainless	pass & comm.	1933-36/46-52
78	13448	Tail light lens rim	stainless	pass	1937
81A	13448	Tail light lens rim	stainless	pass	1938-39
21A	13448	Tail light lens rim	stainless	pass	1942-48

**TAIL LAMP GASKETS**

B	13461	Gasket tail light lens	each	pass & comm.	1932/32-42
40	13461	Gasket tail light lens	pair	pass & comm.	1933-36/46-52
78	13461	Gasket tail light lens	pair	pass	1937
81A	13461	Gasket tail light lens	pair	pass	1938-39
O1A	13461	Gasket tail light lens	pair	pass	1940
21A	13461	Gasket tail light lens	each	pass	1942-48
8A	13461	Gasket tail light lens	pair	pass	1949-51
1A	13461	Gasket tail light lens	pair	pass	1951
1A	13453	Gasket tail light to body	pair	pass	1951
FAE	13461	Gasket tail light lens	pair	pass	1953-54
B5A	13461	Gasket tail light lens	pair	pass	1955
B6A	13461	Gasket tail light lens	each	pass	1956
B7A	13461	Gasket tail light lens	pair	pass	1957
B8A	13461	Gasket tail light lens	set	pass	1958
B9A	13461	Gasket tail light lens	pair	pass	1959
C2AB	13461	Gasket tail light lens	pair	pass	1962
C2OZ	13461	Gasket tail light lens	pair	pass	1962-68
BAAA	13461	Gasket tail light lens	each	comm.	1953-56

**TAIL LAMP LENSES**

A	13450	Tail light lens	glass	Model A	1930-31
B	13450	Tail light lens	glass	pass & comm.	1932/32-41
B	13450BD	Tail light lens	glass with blue dot	pass & comm.	1932/32-41
40	13450	Tail light lens	glass	pass & comm.	1933-36/42-52
40	13450BD	Tail light lens	glass with blue dot	pass & comm.	1933-36/42-52
78	13450	Tail light lens	glass	pass	1937
78	13450BD	Tail light lens	glass with blue dot	pass	1937
81A	13450	Tail light lens	glass	pass	1938-39
81A	13450BD	Tail light lens	glass with blue dot	pass	1938-39
99A	13450	Tail light lens	glass	Mercury	1939
O1A	13450	Tail light lens	glass	pass	1940
21A	13450	Tail light lens	glass	pass	1942-48
21A	13450BD	Tail light lens	glass with blue dot	pass	1942-48
29A	13450	Tail light lens	glass	Mercury	1942-48
8A	13450	Tail light lens	glass	pass	1949-50
8A	13450	Tail light lens	glass with blue dot	pass	1949-50
1A	13450	Tail light lens	plastic	pass	1951
1A	13450BD	Tail light lens	plastic with blue dot	pass	1951
FDA	13450	Tail light lens	plastic	pass	1953-54
B5A	13450	Tail light lens	plastic	pass	1955
B5C	13450	Tail light lens	plastic	comm.	1953-56
B5C	13450FS	Tail light lens	plastic <i>Ford Script</i>	comm.	1953-56
B5C	13450BL	Tail light lens	plastic "FORD" moulded	comm.	1953-56

**TAIL LAMP LENSES CONT.**

B6A	13450	Tail light lens	plastic	pass	1956
B7A	13450	Tail light lens	plastic	pass	1957
B7A	13450 B	Tail light lens	plastic with reverse	pass	1957
B8A	13450	Tail light lens	plastic	pass	1958
B9A	13450	Tail light lens	plastic	pass	1959
COAF	13450 C	Tail light lens	plastic	pass	1960
C1AB	13450 A	Tail light lens	plastic with reverse	pass	1961
C2AZ	13450 B	Tail light lens	plastic	pass	1962
C3AZ	13450 A	Tail light lens	plastic	pass	1963
C3AZ	13450 C	Tail light lens	plastic with reverse	pass	1963
B3C	13450FS	Tail light lens	plastic <i>Ford</i> with chrome	comm.	1953-54
BD	13450	Blue dot	glass with S/S rim		

**BULBS STOP, TAIL, LICENCE PLATE & REVERSE**

B	13465	Blub 6 volt	Stop, reverse or indicator	pass & comm.	1928-32
B	13465	Bulb 12 volt	Stop, reverse or indicator	pass & comm.	1928-32
B	13465	Bulb 6 volt	Reverse	pass	1942-51
B	13465	Bulb 12 volt	Reverse	pass	1942-
40	13465	Bulb 6 volt	Stop, tail, indicator or park	pass	1933-37
40	13465	Bulb 12 volt	Stop, tail, indicator or park	pass	1933-37
11A	13465	Bulb 6 volt	Stop, tail, indicator or park	pass	1938-48
11A	13465	Bulb 12 volt	Stop, tail, indicator or park	pass	1938-48
HR	13465	Bulb 6 volt	Stop, tail, indicator or park		
HR	13465	Bulb 12 volt	Stop, tail, indicator or park		

B	13466	Bulb 6 volt	Park, tail, dash or dome	pass & comm.	1928-36
B	13466	Bulb 6 volt	Park, tail, dash or dome	comm. & truck	1937-49
B	13466	Bulb 6 volt	Licence plate light	pass & comm.	1938-49
B	13466	Bulb 12 volt	as above		
78	13466	Bulb 6 volt	Park & dash light	pass & comm.	1937-55
78	13466	Bulb 12 volt	Park & dash light	pass & comm.	1937-55
09B	13466	Bulb 12 volt	Licence plate light	pass	1956-59

**Quartz Halogen Bulbs**

B	13465 Q	Bulb 6 volt	Stop, reverse or indicator	pass & comm.	1928-32
40	13465 Q	Bulb 6 volt	Stop, tail, indicator or park	pass	1933-37
11A	13465 Q	Bulb 6 volt	Stop, tail, indicator or park	pass	1938-48
E2C	13465 Q	Bulb 12 volt	Tail, reverse or indicator		

**TAIL LAMP PARTS**

A	13410	Tail light	socket & wire cotton braid	pass & comm.	1928-32/32-42
A	13410	Tail light	socket & wire PVC coated	pass & comm.	1928-32/32-42
B	13410	Tail light cowl &	stop wire cotton braid	pass & comm.	1932-34
O1C	13410	Tail light	socket & wire cotton braid	pass & comm.	1933-36/42-52
O1C	13410	Tail light	socket & wire PVC coated	pass & comm.	1933-36/42-52
8A	13410 B	Tail light	socket & wire cotton braid	pass	1949-50
1A	13415	Tail light	housing to body rubber bumpers	pass	1951
BD	13450	Tail light	Blue dot glass with S/S rim		
A	13467 B	Tail light	wire shield black	comm. & truck	1928-66
A	13467 SS	Tail light	wire shield stainless	comm. & truck	1928-66
21A	13476	Tail light	housing trim stainless pair	pass	1946-47
B7A	13489 A	Tail light	lens retainer/surround	pass	1957
A	14407	Electrical wire	conduit tar cloth	5/16 & 1/2"	/meter
PU	14578	Tail light	conduit set		Pick up
91A	16606	Tail light Emblem	<i>Ford Script</i> change from plain F100		1956

**TAIL LAMP BRACKETS**

A	13470	Tail light bracket	right hand stalk	pass & comm.	1928-31
A	13470 C	Tail light bracket	right hand stalk chrome	pass & comm.	1928-31
B	13470 B	Tail light bracket	right hand stalk black	comm.	1930-37
B	13470 C	Tail light bracket	right hand stalk chrome	pass	1932
B	13471 B	Tail light bracket	left hand stalk black	pass	1932
B	13471 C	Tail light bracket	left hand stalk chrome	pass	1932
40*	13470	Tail light bracket	RH or LH stalk black	pass	1933-34
40*	13470 C	Tail light bracket	RH or LH stalk chrome	pass	1933-34
		*Holes to use with step plates			
40*	13471	Tail light bracket	RH or LH stalk black	pass	1933-34
		*No holes			
78	13470	Tail light bracket	right hand stalk	pass	1937
78	13471	Tail light bracket	left hand stalk	pass	1937
81C	13470 S	Tail light bracket	stainless	comm.	1938-41
81Y	13470 B	Tail light bracket	right hand stalk black	comm.	1936-56
81Y	13470 S	Tail light bracket	right hand stalk stainless	comm.	1936-56
81Y	13471 B	Tail light bracket	left hand stalk black	comm.	1936-56
81Y	13471 S	Tail light bracket	left hand stalk stainless	comm.	1936-56
91C	13470 B	Tail light bracket	right hand stalk black	comm.	1942-56
91C	13470 S	Tail light bracket	right hand stalk stainless	comm.	1942-56
91C	13471 B	Tail light bracket	left hand stalk black	comm.	1942-56
91C	13471 S	Tail light bracket	left hand stalk stainless	comm.	1942-56

**TAIL LAMP PADS**

40	13520	Tail light stalk to body	pair	pass	1933-34
48	13520	Tail light stalk to body	pair	pass	1935
68	13520	Tail light stalk to body	pair	pass	1936
78	13520	Tail light stalk to body	pair	pass	1937
81A	13520	Tail light to fender	pair	pass	1938-39
21A	13520	Tail light to body pad	pair	pass & comm.	1942-48
O1A	13420	Tail light to body pad	pair	pass	1940
21A	13420	Tail light to body pad	pair	pass	1942-48
99A	13420	Tail light to body pad	pair	Mercury	1939
29A	13420	Tail light to body pad	pair	Mercury	1942-48
8A	13420	Tail light to body pad	pair	pass	1949-50
1A	13420	Tail light to body pad	pair	pass	1951
FAA	13420	Tail light to body pad	pair	pass	1952-54
B6A	13420 A	Tail light to body pad	pair	pass	1955-56
B7A	13420	Tail light to body pad	pair	pass	1957
B8A	13420 E	Tail light to body pad	pair	pass	1958
B9A	13420 A	Tail light to body pad	pair	pass	1959
B9A	13420 B	Reverse light to body pad	pair	pass	1959

**STOP LIGHT & DIP SWITCHES**

SR	13613	High Stop light LED 7"			
A	13480	Stop/Brake light switch		pass & comm.	1928-29
B	13480	Stop/Brake light switch		pass & comm.	1932
40	13480	Stop/Brake light switch		pass & comm.	1933-34
48	13480	Stop/Brake light switch		pass & comm.	1935-38
91A	13480	Stop/Brake light switch		pass & comm.	1939-48
11A	13480	Stop/Brake light switch		pass & comm.	1941-64
81A	13532	Head light dip switch		pass & comm.	1938-48
8A	13532	Head light dip switch		pass & comm.	1949-56
B7A	13532	Head light dip switch		pass	1957-58
B9A	13532	Head light dip switch		pass	1959-64



## INTERIOR LIGHTS & JEWELS

### HIGH BEAM JEWELS

81A	13583	High beam jewel	pass & comm.	1938-40/47
O1C	13583	High beam jewel (light on dash)	comm.	1940-47

### INTERIOR LIGHT PARTS

8M	13713	Courtesy, interior, dome light switch Door activated button	pass & comm.	1949-57
40	13740	Dash instrument light switch	pass & comm.	1933-34/33-51
O1A	13740	Dash instrument light dimmer switch	pass	1940
21C	13740	Dash instrument light switch	comm.	1941-51
51A	13740	Dash instrument light dimmer switch tan	pass	1946-48
FAA	13740	Dash instrument light dimmer switch	pass	1950-54
A	13769	Interior dome light switch	pass	1928-48
OA	13752	Interior dome light	pass	1950
A	13770	Interior dome light switch plate/bezel		1928-48
8A	13770 B	Interior dome light assembly	pass	1949-50
A	13771ws	Interior dome light with switch	pass & comm.	1932-48
A	13771 G	Interior dome light glass lens	pass & comm.	1932-48
A	13780	Interior dome light lens retainer	pass & comm.	1932-48
81A	13783	Interior dome light lens	pass	1937-48
8A	13783	Interior dome light lens	pass	1949-50
1A	13783 C	Interior dome light lens	pass	1951
8M	13783	Interior dome light lens	comm.	1953-56
FDA	13783	Interior dome light lens	pass	1954-56/57-58
B8A	13783	Interior dome light lens	pass	1957-58
B8S	13783	Interior dome light lens	pass	1959
COAF	13783	Interior dome light lens	Fairlane	1962-64

### INTERIOR LIGHTBULBS

B	13466	Bulb 6 volt	Park, tail, dash or dome	pass & comm.	1928-36
B	13466	Bulb 6 volt	Park, tail, dash or dome	comm. & truck	1937-49
B	13466	Bulb 12 volt	as above		
78	13466	Bulb 6 volt	Park & dash light	pass & comm.	1937-55
78	13466	Bulb 12 volt	Park & dash light	pass & comm.	1937-55
			Also clock, High beam & glove box		
B6A	13466	Bulb 12 volt	High beam, glove box & instrument panel		1956-59
B6A	13730	Bulb 12 volt	Interior dome light	comm.	1956-66
48	15021	Bulb	Clock, Hot air & turn indicator		1935-48
			High beam indicator & cigar lighter		

Please Contact Ajay's Ford V8 Parts for up to date Prices

[info@fordv8parts.com](mailto:info@fordv8parts.com)

07 212 8742

## HORN, BATTERY & GROMMETS

### HORN & PARTS

HR	13802	Ah-Ooh-Gaa horn Great sound		
40	13802	Horn assembly Left or Right		pass & comm. 1933-34
18	13809	Horn bell cover chrome		pass & comm. 1933-35
XX	13809	Horn button ring index retainer		selected
7C	13809	Horn button kit		comm. & truck 1948-52
B & 40	13829 S	Horn mounting bracket spring		pass & comm. 1932-40
40	13840	Horn screen		pass 1933-34
48	13840	Horn screen		pass & comm. 1935-37
91A	13842	Horn relay 12 volt		pass & comm. 1935-55
11A	13853	Horn relay & bracket assembly		pass & truck 1941-48
7RA	13853	Horn relay 6 volt		pass & comm. 1937-56
B7A	13852	Horn relay		pass & comm. 1957
B8A	13853	Horn relay		pass & comm. 1958-63
91A	13912	Grommet horn bell to mounting bracket		pass 1939-48
68	16156	Horn grill pad		pass 1936
68	16156	Horn grill stainless		pass 1936



40 13802



8A 14300



A 14300 C

### BATTERY CABLES

A	14300 C	Battery terminal disconnection switch		
48	14300	Cable battery to starter	27.5" long	pass & comm. 1935-36
48	14300 C	Cable battery to starter w. cable bracket		pass & comm. 1935-26
78	14300	Cable battery to solenoid	17.5" long	pass & comm. 1937-39
91A	14300	Cable battery to solenoid	13.5" long	pass & comm. 1940-47
8A	14300	Cable battery to solenoid	18" long	pass 1949-51
40	14301	Battery to earth strap	17.5" long	pass & comm. 1932-36/42-48
78	14301	Battery to earth strap	9.6" long	pass & comm. 1937-48
91A	14301	Battery to earth strap	7.4" long	pass & Deluxe 1928-30/39-48
48	14301	Battery to earth strap	12.5" long	pass & comm. 1932-36/42-47
8BA	14301	Battery to earth strap	24.5" long	pass 1949-53
78	14303	Battery engine to firewall strap	8.25" long	pass 1937-48
91A	14303	Battery engine to firewall strap	10 5/8" long	pass 1940-48
B	14431	Starter switch to starter cable	32.5" long	pass & comm. 1932-34
18	14431	Starter switch to starter cable	32.5" long	pass & comm. 1932-36
78	14431	Solenoid to starter cable	18" long	pass & comm. 1937-48
8A	14431	Solenoid to starter cable	48.5" long	pass 1949-51

**BATTERY BRACKETS**

40	5165	Battery hold down frame	pass & comm.	1933-48
91A	5171	Battery clamp	pass & comm.	1939
O1A	5171	Battery clamp	pass & comm.	1940-41

**GROMMETS & WIRING CLIPS**

18	14548	Grommet starter cable	pass & comm.	1932-36/48-56
B	14585 S	Clips wire to chassis clips small kit	pass & comm.	1928-48
B	14585 L	Clips wire to chassis clips large kit	pass & comm.	1928-48
B	14605	Grommet firewall choke & throttle cable	pass & comm.	1932-48/56
B	14603	Grommet main loom to fire wall	pass & comm.	1932
40	14603	Grommet main loom to fire wall	pass & comm.	1933-34
48	14603	Grommet main loom to fire wall	pass & comm.	1935-47/48
8A	14603 B	Grommet main loom to fire wall	pass & Merc.	1949-51
1A	14603 B	Grommet main loom to fire wall	pass & comm.	1951-59/48-56
40	14600 S	Grommet kit for firewall	pass & comm.	1933-34

**FENDER & RUNNING BOARD****MUDGUARD MOULDINGS & EMBLEMS**

	16007	FENDER HARDWARE SEE HARDWARE SECTION		
68	16000	Fender moulding set mudguard to horn grille S/S set		1936
6A	16003/4	Fender moulding front R/H	pass	1947-48
6A	16004	Fender moulding front L/H	pass	1947-48
6A	16196A	Fender moulding rear R/H	pass	1947-48
6A	16197A	Fender moulding rear L/H	pass	1947-48
6A	16168/9	Fender mouldings lower front guard L/H R/H	pass	1947-48
51A	16079	Front fender script super Deluxe	pass	1946-47
1BA	16237PRV8	emblem side of front mudguard	pass	1951-53
BM	16237PRV8	emblem side of front mudguard except 56 Fairlane	pass	1954-56

**MUDGUARD RELATED PARTS**

21C	16068	Seal rear of front mudguard to cowl moulded rubber	comm.	1942-47
B & 40	16070	Fender welt black grained vinyl 1/4 "or 3/16" sold per meter		
40	16088	Clamp front fender spacer painted	pass	1933-34
51A	16349	Rear fender boots moulded black rubber as original		1942-48
7C	16068	Seal rear of front mudguard to cowl moulded rubber	comm.	1948-52
BAAA	16126	Seal rear of front mudguard to cowl moulded rubber	comm.	1953-56
B7A	16126	Pad to rear of front guard to cowl	pass	1957-59
B5A	16170A	Anti squeak seal front guard	pass	1955-60
B5A	16172	Pad back center of front guard	pass	1955-58
B7A	16254	Seal front guard splash apron to frame	set pass	1957-58

**PETROL FILLER DOOR PARTS**

11A 16377C	Spring gas tank filler door	pass	1941-48
11A 16378	Bumpers gas tank filler door	pass	1941-48

**RUNNING BOARD STEP PLATES**

NE 16400 D	Deluxe step plate with rubber insert & emblem		1909-48
18 16400 AS	Step plates L/H & R/H with Ford oval	pair	1932
8C 16400 S	Step plates L/H & R/H with F100 logo	pair comm.	1948-56



**RUNNING BOARD COVERS**

B 16450/51	Running board covers exactly like original		1932
40 16450/51	Running board covers exactly like original		1933-34
48 16450/51	Running board covers exactly like original		1935-36
78 16450/51	Running board covers exactly like original also 1939 std.		1937-38
91A 16450/51	Running board covers exactly like original deluxe		1939
21A 16450/51	Running board covers exactly like original Ford & Mercury		1942-48

**RUNNING BOARD BOLTS**

BAAA 16540A	Seal bottom of cab to running board	pair comm.	1953-55
B6C 16540	Seal bottom of cab to running board	pair comm.	1956

**RUNNING BOARDS**

The classic car industry is constantly reproducing more and more product lines. These Running Boards are no exception, reproduced to the highest quality & standard with modern technology, they will take your breath away. Please enquire for availability and price to suit your car.



40 16450/1 1933-34 Vulcanized Rubber Running Boards
--

## BONNET

### BONNET EMBLEM & RELATED

81A	16605/6	Emblem Bonnet sides		deluxe pass	1938
46	16606	Emblem Bonnet sides	Ford oval	comm.	1934
50	16606	Emblem Bonnet	Ford V8	comm.	1935-36
59A	16606	Emblem Bonnet	Number 8	pass	1946
81A	16606	Emblem Bonnet	85	comm	1938
81C	16606	Emblem Bonnet	Ford 85	comm.	1938-39
91A	16606	Emblem Bonnet & boot lid	Ford Script	deluxe pass	1939
11A	16606	Emblem Bonnet	V8 oval	pass	1941
11C	16606	Emblem Bonnet	Ford Script	comm.	1941
91A	16607	Emblem Bonnet	deluxe script	deluxe pass	1939
46	16608	Emblem Bonnet	V8	comm.	1934
B7A	16604	Fairlane script on bonnet above grille		Fairlane	1957
8C	16605	Emblem side of cab chrome plated ea.		F1 comm.	1948-60
OA	16637B	Emblem Bonnet		pass	1950-51
BAAA	16637A	Emblem Bonnet		comm.	1953-56
BAAA	16638	Pad bonnet emblem		comm.	1953-56
OA	16644B	Retainer for bonnet emblem		pass	1950-51
OA	16675	Pads for bonnet & boot emblem rubber		pass	1950-54
B5A	16675	Pad for bonnet		pass	1955-56
B8A	16675	Pad for bonnet		pass	1958
BAAA	16721	Emblem bonnet side chrome plated pair		comm.	1953-54
B5C	16720/21	Emblem bonnet side chrome plated pair		comm.	1955
B6C	16720/21	Emblem bonnet side pair		comm.	1956



11A 16606



91A 16606



81A 16605/6



59A 16606

### BONNET PARTS

8A	16852	Plastic Insert bonnet ornament		pass	1949
OA	16852	Plastic Insert bonnet ornament		pass	1950
1A	16852	Plastic Insert bonnet ornament		pass	1951
7C	16614	Seal bonnet to air deflector		comm.	1948-52
B	14605	Grommet – bonnet pull cable			1942-48



B6C  
16720/1



**RADIATOR / GRILLE MOUNTING**

40	16628C	Radiator to grille mounting brackets		4pcs	1933
40	16628C	Radiator to grille mounting brackets		4pcs	1934
A	8200BSL	Radiator to shell mounting screw set			1928-35

**BONNET HANDLES & LATCHES**

B	16609	Handle bonnet side stainless steel		pass	1932
B	16609	Handle bonnet side stainless steel		comm.	1932-34
40	16636A	Handle bonnet side front		pass	1933
40	16636B	Handle bonnet side front	pair	pass	1934
40	16636BR	Handle bonnet side rear	pair	pass	1934
B	16750	Bonnet latch	Black	pass & comm	1932/-34
B	16750	Bonnet latch	Stainless	pass & comm.	1932/-34
91A	16892	Bonnet safety catch		deluxe	1939
01A	16892A	Bonnet safety catch		comm.	1940-41
01T	16892	Bonnet safety catch		large truck	1940-41

**BONNET CENTRE STRIPS**

18	16632	Bonnet hinge centre hood strip - stainless		32"long	1932
40	16632	Bonnet hinge centre hood strip - stainless		33"long	1933-36
91A	16736	Centre bonnet strip stainless clips nt included		deluxe pass	1939
01C	16736	Centre bonnet strip stainless clips nt included		comm.	1940-41
21C	16736	Centre bonnet strip stainless clips nt included		comm.	1942-47
U	16632	Bonnet hinge centre strip	Special	48"long	
8A	16736	Centre bonnet strip stainless clips not incl		pass	1949-51

**COWL LACING KITS**

B	16740	Lacing kit cowl	-also 1932-34 comm.	pass	1932
40	16740	Lacing kit cowl		pass	1932-34
48	16740	Lacing kit cowl		pass	1935
48	16740	Lacing kit cowl		comm.	1935-37
68	16740	Lacing kit cowl		pass	1936
78	16740	Lacing kit cowl		pass	1937-40
78	16740	Lacing kit cowl		comm.	1938-41
11A	16740	Lacing kit cowl		pass	1941-48
21C	16740	Lacing kit cowl		comm.	1942-56
8A	16740	Lacing kit cowl		pass	1949-51
BA	16740	Lacing kit cowl		pass	1952-54
B5A	16740	Lacing kit cowl		pass	1955-56
B7A	16740	Lacing kit cowl		pass	1957-58
B9A	16740	Lacing kit cowl		pass	1959
C20Z	16740	Lacing kit cowl		Fairlane	1962
C30Z	16740	Lacing kit cowl		Fairlane	1963-65
C50Z	16740	Lacing kit cowl		Fairlane	1965
C5ZZ	16740S	Lacing kit		Mustang	1964-66
C7ZZ	16740S	Lacing kit		Mustang	1967-68
C9ZZ	16740S	Lacing kit		Mustang	1969-70

**RADIATOR LACING**

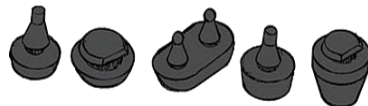
B	16739	Lacing kit	radiator shell	pass	1932
40	16739	Lacing kit	radiator shell	pass	1933-34
48	16739	Lacing kit	radiator shell	pass	1935
68	16739	Lacing kit	radiator shell	pass	1936
50	16739	Lacing kit	radiator shell	comm.	1932-37
81C	16739	Lacing kit	radiator shell	comm.	1938-39

**BONNET RUBBER BUMPER KITS**

B	16761	Hood bumper kit		1933-34	comm.	1932
40	16761	Hood bumper kit				1933-34
48	16761	Hood bumper kit		1935-37	comm.	1935
68	16761	Hood bumper kit				1936
78	16761	Hood bumper kit				1937
81A	16761	Hood bumper kit	also 1939 stud		comm.	1938-39
91A	16761	Hood bumper kit			deluxe	1939-40
11A	16761	Hood bumper kit				1941-48
01C	16761	Hood bumper kit			comm.	1940-41
21C	16761	Hood bumper kit			comm.	1942-47
8A	16761	Hood bumper kit	4 piece		pass.	1949
0A	16761	Hood bumper kit	8 piece		pass	1950-51
BA	16761	Hood bumper kit			pass	1952-54
B5A	16761	Hood bumper kit			pass	1955-56
7C	16761	Hood bumper kit			comm.	1948-52
BAAA	16761	Hood bumper kit			comm.	1953-56
B5A	16769	Hood bumpers -	front of hood		pass	1955-56
B5A	16769	Hood bumpers -	top of cowl		pass	1957-59
BAAA	16770A	Seal - bonnet front	- top of radiator		comm.	1953-56
B7A	16758A	Hood bumper	- side of hood to fender		pass	1957-59
B9A	16769	Radiator support	to hood bumper		Fairlane	1962-64
C20Z	16758	Fender to hood bumper			Fairlane	1962-65
C30Z	16763	Hood bumper rear	- goes on cowl		Fairlane	1963-64
C4DZ	16758ST	Hood bumper set	4 piece		Mustang	1964-66
C7WY	16758ST	Hood bumper set	4 piece		Mustang	1967-68
C60Z	16758ST	Hood bumper set	4 piece		Mustang	1969-70
C5ZZ	16763B	Radiator support	hood bumper			1965-73



B 16750



- 91A 16761



91A 16802

**BONNET HINGES & RELATED**

18	16632	Bonnet hinge centre hood strip	stainless	32"long	1932
40	16632	Bonnet hinge centre hood strip	stainless	33"long	1933-36
78	16746/7	Pads – bonnet hinge			1937-41
01C	16783/3	Bonnet hinges all trucks & comm.	also 1939 Mercury		1940-47
91A	16789	Spring bonnet arm			1939-48
78	16796/7s	Bonnet hinges			1937
91A	16796/7	Bonnet hinges	pair	pass	1939-40
01C	16796/7	Bonnet hinges	pair	comm.	1940-47
21A	16796/7	Bonnet hinges	pair		1942-48
91A	16802/3	Bonnet arm & spring support	pair	pass & comm.	1939-47
91A	16789	Spring bonnet arm			1939-48

**BONNET PROP**

A	16613SS	Bonnet prop kit			1928-36/39
		This all stainless steel kit includes prop, brackets and nylon washers (to prevent rattles). Eliminates resting your bonnet on the cowl and scratching expensive paint jobs.			
B	14605	Hood release cable grommet	pair	pass	1942-48



## SPEEDO & WIPERS

### SPEEDO PARTS

B	17265	Grommet speedo cable		1932
40	17265	Grommet speedo cable and wiper hose		1933-39
11A	17265	Grommet firewall speedo	pass	1942-48
21C	17265	Grommet speedo cable and wiper hose	comm.	1940-47
B	17270B	Gear & housing speedo 21 teeth driveshaft end	pass & comm.	1941-48
C59A	17270	Gear & housing speedo 14 teeth driveshaft end	Mercury only	1946-48
01Y	17271A	Gear speedo driven 18 teeth	comm. to 1 ton	1942-47
21C	17285B	Gear speedo driving on main shaft	comm.	1942-47
A	17260	Speedo cable complete	pass & comm.	1932-48
B	17290	Speedo gear thrust washer		1928-48
B	17275	Gasket speedo gear case		1928-48
A	17286	Speedo gear snap ring		1928-48
7C	17265	Grommet speedo cable	comm.	1948-52
7C	17265	Grommet speedo cable also choke & throttle	comm.	1951-52
01T	17285A	Speedo drive gear on main shaft	large truck	1948-56
B5A	17322A	Gear speedo driven 20 teeth	comm.	1948-56

### SPEEDO CABLES

99A	17260	Speedo cable complete 70"long	pass & comm.	1932-48
8C	17260A	Speedo cable 3 speed	comm.	1948-52
8C	17260A	Speedo cable 4 speed	comm.	1948-56
A9A	17260	Speedo cable complete	pass	1949-51
A9A	17260	Speedo cable complete	comm.	1953-60
C3TZ	17260ED	Speedo cable complete 69.8"long		1952-56

### WIPER ARMS & BLADES

01C	17526	Wiper arm right hand	comm.	1940-47
01C	17527	Wiper arm left hand	comm.	1940-47
7C	17527	Wiper arm left & right hand	comm.	1948-52
B6C	17527	Wiper arm left & right hand	comm.	1953-55
B6C	17526	Wiper arm right hand	comm.	1956
B6C	17527	Wiper arm left hand	comm.	1956-60
8A	17526	Wiper arm right hand	pass	1949-51
8A	17527	Wiper arm left hand	pass	1949-51
68	17528	Wiper blade hook type 81/4"		1932-36
78	17528	Wiper blade wrist type 81/4"		1936-38
7C	17528	Wiper blade hook type		1942-48
7C	17528	Wiper blade wrist type		1942-48
8A	17528	Wiper blade 10"	pass	1949-51
B6C	17528	Wiper blade	pass	1952-54
C30Z	17528A	Wiper blade	Fairlane	1962-69
B6C	17528	Wiper blade	comm.	1952-60
7C	17528	Wiper blade	comm.	1948-52
UNI	17528	Wiper blade 6mm narrow refill 610mm long		
UNI	17528	Wiper blade 8mm wide refill 610mm long		
B	17529	Wiper arm s/s		1932-36
78	17529	Wiper arm s/s		1937-39
78	17529	Wiper arm wrist type fitting RH & LH		1937-39
01C	17526/7	Wiper arm right hand & left hand	comm.	1940-47

**WIPER ARMS & BLADES CONT.**

11A	17526/7	Wiper arm s/s right hand & left hand	pass	1941-48
11A	17526/7	Wiper arm wrist type fitting RH & LH	pass	1941-48
U	17529	Wiper arm universal 6" extends to 8" CHP		
U	17529	Wiper arm universal 8" extends to 12" SS		

**WIPER KNOBS & NUTS**

78	17481	Nut wiper arm	pass & comm.	1937-47
B	17513	Wiper knob screw on closed car		1932-36
78	17513B	Wiper knob push on	pass	1937
81A	17513A	Wiper knob screw on	pass	1938
91A	17513A	Wiper knob	pass	1939
01A	17513A	Wiper knob push on	comm.	1940-41
11A	17513	Wiper knob push on	pass	1941-48

**WIPER PARTS**

68	17574	Tandem wiper arm assemble		1932-36
78	17450	Wiper clip & spring holds arm to motor		1937-40
A	17520	Hose vacuum wipers 6 foot roll		ALL
11A	17541	Grommet wiper shaft roof pr except 1940		1937-48
01A	17545	Grommet wiper hose in firewall		1940-56
B	14605	Electric wiper motor grommet pr	comm.	1956
A	17520	Hose vacuum wipers 6 foot roll		
7C	17541	Gasket wiper pivot to cowl pr	comm.	1948-52
BAAA	17545	Grommet wiper hose	comm.	1949-56
01A	17545	Grommet wiper hose in firewall	pass & comm.	1940-48
8A	17545	Grommet wiper hose in firewall	pass	1949-51

**WIPER MOTORS**

A	17508 E	Wiper motor	6v or 12v with built in switch	black body
A	17508 S	Wiper motor	6v or 12 v with built in switch	stainless steel
A	17508	Wiper motor kit	6v or 12v with arm & blade	stainless steel
A	17508	Wiper motor	6v or 12v remote switch	black body
01A	17508	Wiper motor conversion kit	6v or 12v 2 speed	to replace vacuum





## MIRRORS

### INTERIOR MIRRORS

M	1003	Universal	2.5" x 6" adjustable		
B	17682	Interior mirror	closed car & pick up		1933-34
B	17682	Interior mirror	bevel glass s/s closed	pass & comm.	1932-36
78	17682	Interior mirror	oval s/s	pass & comm.	1937-39
11A	17682	Interior mirror	rectangular s/s	pass & comm.	1941-48/52
68	17682	Interior mirror	head only brown oval	pass & comm.	1937-40/35-47

### EXTERIOR MIRRORS

18	17700P	Mirror exterior post for open car			1932
B	17741	Mirror hinge pin type for closed car			1932
50	17741	Mirror hinge pin type chrome straight arm L/R H		comm.	1935-47
68	17741	Mirror hinge pin type chrome curved arm L/R H		pass	1935-40
68	17441	Mirror hinge pin type chrome curved L & R H		comm.	1948-51
68	17741	Mirror head		pass	1935-40
68	17741	Mirror head		pass	1935-40
21A	18402	Mirror cowl mounted right hand		pass	1942-46
21A	18403	Mirror cowl mounted left hand		pass	1942-46
HR	18414	Peep mirror 3" head non Ford script right & left hand			
B	18414	Peep mirror 4" head non Ford script right & left hand			
BAAA	17696/7	Mirror exterior orig accessories left & right hand		comm.	1953-66
8A	18402A	Mirror door mounted left & right hand		pass	1949-51
B5A	18402	Mirror exterior fender/mudguard mounted		pass	1952-56
HR	18414	Peep mirror 3" head non Ford script L & R H			
B	18414	Peep mirror 4" head non Ford script L & R H			



B 17741



18 17700 P



B 18414



B 18414



68 17741



## BUMPER RELATED

### BUMPER BOLTS

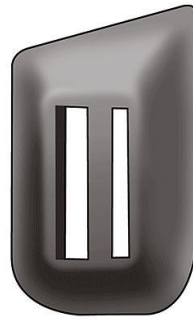
B	17758	Bumper bolt		1932
B	17760	Plug bumper end		1932
40	17758	Bumper bolt round head		1933-34
48	17758	Bumper bolt oval s/s covered head	pass & comm.	1935-40
BB	17758	Bumper bolt s/s round head	comm.	1941-47
11A	17758	Bumper bolt s/s covered sq head outer 1-1/4"long	pass	1941-48
11A	17908	Bumper bolt s/s covered sq head inner 2-1/2"long	pass	1941-48
B9A	17958	Bumper bolt s/s covered universal round head		1933-80
11A	17758	Bumper bolt stainless covered square head	comm.	1941-47
B9A	17758	Bumper bolt	pass	1949-69
B9A	17758	Bumper bolt	comm. truck	1957-59



48 17758



11A 17758



68 17772/3



91A 17772/3

### BUMPER IRON RUBBERS

48	17772/3	Bumper iron rubbers front	pair	pass	1935
50	17772/3	Bumper iron rubbers front	pair	comm.	1935-37
68	17772/3	Bumper iron rubbers front	pair	also 1938 std.	1936-37
81A	17772/3	Bumper iron rubbers front	pair	also 1939 std.	1938
81C	17772/3	Bumper iron rubbers front	pair	comm.	1938-39
91A	17772/3	Bumper iron rubbers front	pair	deluxe pass	1939
91A	17772/3	Bumper iron rubbers front	pair	comm.	1940-41
78	17792/3	Bumper iron rubbers rear	pair	pass sedan	1937
78	17772/3	Bumper iron rubbers rear	pair	coupe & convertible	1938-40
81A	17792/3	Bumper iron rubbers rear	pair	pass sedan	1938-40

**BUMPERS**

40	17750A	Bumper front or rear chrome	pass	1934	POA
B	17757A	Bumper front or rear chrome	pass	1932	POA
48	17757	Bumper front or rear chrome	pass	1935	POA
68	17757	Bumper front or rear chrome	pass	1936	POA
78	17757	Bumper front chrome also rear 1938-39 comm.	pass & comm.	1937	POA
81A	17757A	Bumper front or rear chrome	std. pass	1938	POA
81A	17757A	Bumper front chrome	comm.	1938-39	POA
81A	17757B	Bumper front or rear chrome 38 deluxe/39 std.	pass	1938-39	POA
91A	17757	Bumper front or rear chrome	deluxe pass	1939	POA
01A	17757F	Bumper front or rear Ford script	comm	1940-41	POA
7C	17750A	Bumper front with brackets unpainted	comm.	1948-52	POA
7C	17750B	Bumper front with brackets stainless steel	comm.	1948-52	POA
TAAA	17750A	Bumper front with brackets unpainted	comm.	1953-56	POA
TAAA	17750B	Bumper front with brackets stainless	comm.	1953-56	POA
BAAA	17906	Bumper rear with brackets stainless	comm.	1948-56	POA

**BUMPER OVERRIDERS**

40	17795	Bumper over- rider	pass	1933-34	POA
68	17796	Bumper over- rider		1935-36	POA
78	17796	Bumper over- rider		1937	POA
81A	17796	Bumper over- rider 1938 deluxe & 1939 std.		1938-39	POA
91A	17796	Bumper over- rider	deluxe pass	1939	POA

**BUMPER SEALS & ANTI RATTLER**

21A	17749A	Anti-rattler bumper arm to stone deflector	pass	1942-48
6A	17832	Seal rear bumper to body	pass	1942-48

**STONE DEFLECTOR SEALS**

8A	17832	Rear stone deflector to bumper seal	pass	1949
0A	17832	Rear stone deflector to bumper seal	pass	1950-51
B5A	17832	Rear stone deflector to bumper seal	pass	1955-56
B7A	17832	Rear stone deflector to bumper seal	pass	1957-58

## SHOCK ABSORBERS

Shock absorbers available new	1932-36
Shock absorbers rebuilt must have rebuildable exchange	1932-48
Shock replacement core fee	

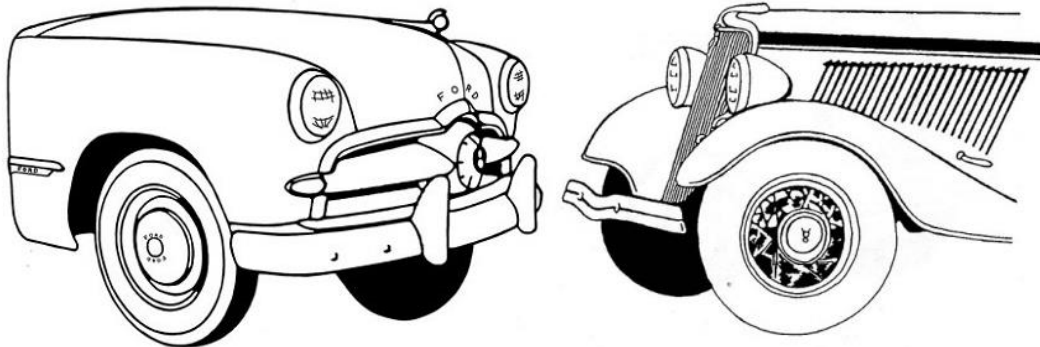
At Ajay's we can have your shocks rebuilt to amazing quality. Using the latest technology your shocks will be better the new. As these are a limited item, we require you shocks for rebuilding. If you shocks are not able to be rebuilt or you do not have any, a core fee will apply.

## SHOCK ABSORBER ARMS

40	18052A	Shock arm rear links having openings opp. Side	pass & comm.	1933-34
40	19052B	Shock arm rear links having openings same side	pass & comm.	1934
48	18052B	Shock arm rear	pass & comm.	1935-36

## SHOCK ABSORBER LINKS

B	18055	Shock absorber links holes on opposite side		1928-34
40	18055	Shock absorber links holes on same side		1934
48	18055	Shock absorber links 3" between studs rear		1935-40
78	18055	Shock absorber links 4" between studs front		1938-39
99A	18055	Shock absorber links 4-3/4" between studs	also 1939 Mercury	1941-48
01Y	18055	Shock absorber links front	comm.	1942-48
B	18060	Shock link bush set		1932-35
21A	18055	Torison bar links 2.38 between studs		1942-48
11A	18060	Bushings shock rear		1942-48
C8AZ	18198	Bush shock absorber		1949



Please Contact Ajay's Ford V8 Parts for up to date Prices

[info@fordv8parts.com](mailto:info@fordv8parts.com)

07 212 8742

## DASH RELATED & SUN VISORS

### DASH KNOB SETS

DASH SETS VARY UPON ACCESSORIES IN CAR SUCH AS RADIO, HEATER INDICATORS ETC  
SET PRICES ALSO VARY DEPENDING ON YEAR, MAKE AND MODEL RANGING \$50 TO \$100.  
DASH KNOBS ARE AVAILABLE INDIVIDUALLY.

	11804	Instrument panel holes		1932
	11804	Instrument panel no holes		1932
B	9270	Dash knob set	4 cylinder	1932
18	9270	Dash knob set	V8	1932
40	9270A	Dash knob set		1933
40	9270	Dash knob set		1934
48	9270A	Dash knob set	standard	1935
48	9207B	Dash knob set	deluxe	1935
68	9270A	Dash knob set dark brown	early standard	1936
68	9270B	Dash knob set light grey	earlydeluxe	1936
68	9270C	Dash knob set grey marble	standard & deluxe late	1936
78	9270A	Dash knob set	standard	1937
78	9270B	Dash knob set	deluxe	1937
81A	9270	Dash knob set	all models	1938
91A	9270	Dash knob set	all models	1939
99A	9270	Dash knob set Mercury		1939
01A	9270	Dash knob set sand	comm.	1940-41
11A	9270	Dash knob set light tan	pass	1942-46
21A	9270	Dash knob set butterscotch		1946-48
11C	9270	Dash knob set	comm.	1941-47
11A	15055	Replacement cigar lighter element 6v		
0A	9270BS	Dash knob set except convertible	pass	1950
B7A	9270	Dash knob set	pass	1957
B8A	9270	Dash knob set	pass	1958
B9A	9270	Dash knob set	pass	1959
C20Z	9270	Dash knob set	pass	1962-64
7C	9270	Dash knob set	comm.	1948-50
BAAA	9270	Dash knob set	comm.	1953-56
BAAA	10852	Dash knob bezels	comm.	1953-56

### RADIO PARTS

78	18803	Knobs radio pair		1937
81A	18803	Knobs radio pair		1938
78	18813D	Antenna radio		1937
81A	18813	Antenna radio		1938
91A	18813	Antenna radio		1939
HR	18813	Antenna radio mounts to side of cowl		
78	18815A	Knob antenna	standard	1937
78	18815B	Knob antenna	deluxe	1937
81A	18815	Knob antenna		1938
91A	18815	Knob antenna Ford & Mercury		1939
7C	8104352	Radio speaker grille plastic beige with screws	comm.	1948-52
7C	8104371	Radio hole cover plastic beige with screws	comm.	1948-50



**GLOVE BOX PARTS**

40	43000 RK	Repair kit glove box door latch		1933-34
48	701674	Spring clip glove box door		1935-36
78	701674	Spring clip glove box door		1937-39
01A	7006117	Glove box door stops pair	pass	1940-48
40	701662	Glove box door hinge	pass	1933-34
48	701671	Rubber stops glove box lid for gaps sm/lg	pair	1935-48
0A	16378	Glove box door bumpers specify year & model	pair	1952-65
8A	7006122	Glove box arm grommet	pass	1949-55
B7A	7006122	Glove box arm	pass	1957-63
8C	8106068	Glove box spring	comm.	1948-52
B5A	7004460 A	Glove box door name plate FORD	comm.	1955-56
B6A	7004407 A	Glove box door emblem Red V8	comm.	1955-56
B7A	7004407 A	Glove box door emblem FORD on crest	comm.	1957-59
B5A	7006064 B	Glove box latch striker plate	comm.	1955

**GLOVE BOX LINERS**

Please specify LH/RH as some boxes will only fit LHD.

40	43000	Glove box		1932-34
48	43000	Glove box closed car		1935-36
67	43000	Glove box	comm.	1935-37
77	43000	Glove box	comm.	1938-39
01C	43000	Glove box	comm.	1940-47
11A	43000	Glove box	pass	1941-48
19A	43000	Glove box LHD only	Mercury	1941-48
81A	43000	Glove box RHD only		1938-39
7C	43000	Glove box	comm.	1948-52
BAAA	43000	Glove box	comm.	1953-55
B6C	43000	Glove box	comm.	1956
8A	7006010	Glove box	pass	1949-50
1A	7006010	Glove box	pass	1951
B5A	7006010	Glove box	pass	1955
B6A	7006010	Glove box	pass	1956
B7A	7006010	Glove box LHD	pass	1957-58
B7A	7006010	Glove box RHD	pass	1957-58
B9A	7006010	Glove box	pass	1959
C20Z	6206010	Glove box	pass	1962-65
C5ZZ	6506010	Glove box Mustang		1964-66



48 4300



40 701662

**SUN VISORS**

B	47380/82	Sun visor kit	frame & brackets only	3 window coupe pair		1932
40	47380/82	Sun visor kit	frame & brackets only	pair	pass	1933-34
68	47380/82	Sun visor kit	frame & brackets only	pair	pass	1935-48
01C	8104104	Sun visor	no bracket	green or black	comm.	1940-47
7C	8104101	Sun visor	grey/red/black/brown	specify colour	comm.	1948-60
BAAA	8104101	Sun visor	grey	specify year	comm.	1952-56
7C	8104144PP	Sun visor	bracket & arm	chrome	specify year	comm.
7C	8104144cc	Sun visor	bracket & arm	plain	specify year	comm.

**COWL PARTS**

**COWL VENT HANDLES**

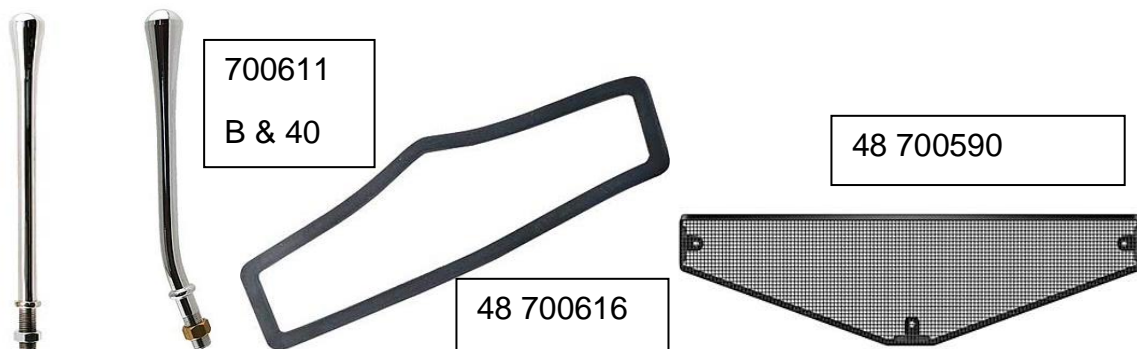
B	700611	Handle cowl vent			pass & comm.	1932-34
40	700611	Handle cowl vent			pass	1933-36
81A	7002145	Knob cowl vent			pass	1938
91A	7002145	Knob cowl vent			pass	1939
11C	8102145	Knob cowl vent			comm.	1941-47
21A	7213B	Knob cowl vent	butterscotch		pass	1941-48

**COWL VENT SEALS**

18	700616	Seal cowl vent				1932
40	700616	Seal cowl vent				1933-34
48	700616	Seal cowl vent				1935-36
51A	700616	Seal cowl vent			pass	1946-48
78	700616	Seal cowl vent			pass & comm.	1937-48
7C	8102330A	Seal cowl vent			comm.	1948-52
BAAA	8102330	Seal cowl vent			comm.	1953-56

**COWL VENT SCREENS**

48	700590	Screen cowl vent			pass	1935-36
01A	700590	Screen cowl vent			pass	1939-40
91A	700590	Screen cowl vent			comm.	1941-47



ALL PRICES ARE INDICATIVE ONLY & SUBJECT TO CHANGE WITHOUT NOTICE.  
PLEASE USE THIS CATALOGUE AS A GUIDE ONLY.

## DOOR PARTS

### DOVETAIL & REPAIR KITS

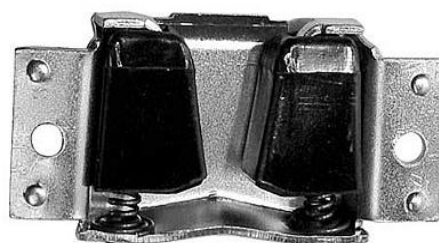
18	35577	Dovetail male	pass	1932
18	35577	Dovetail male	comm.	1932-34
40	35577A	Dovetail male closed car		1933-40
40	35577A	Dovetail male	comm.	1935-41
40	35577B	Dovetail male roadster and phaeton		1932-36
48	35577	Dovetail male offset closed car		1935-40
11A	35577A	Dovetail male	pass	1941-48
11A	35577A	Dovetail male	comm.	1942-52
B	35576BS	Dove female closed car	comm.	1932-34
11A	702570	Dove female closed car	pass & comm.	1941-48/52
B	702574RK	Dovetail repair kit female for one pillar		1932-34
48	702574RK	Dovetail repair kit female for one pillar	pass	1935-40
11A	702574RK	Dovetail repair kit female for one pillar	pass	1941-48
V	80025C	Dovetail screw kit 4 pcs		1933-48



11A 35577 A



11A 702574 RK



11A 702570



B 702340



81A 702340

### STRIKER PLATES

B	702340	Striker plate 3 window coupe		1932
40	702340	Striker plate stainless steel	pass	1932-34
81A	702340	Striker plate stainless steel	pass	1935-39
81A	702340	Striker plate stainless steel	comm.	1935-52
81A	702340	Striker plate plain closed car		1935-39
81A	702340	Striker plate plain	comm.	1935-52
21A	702340	Striker plate	pass	1942-48
BA	702340	Striker plate LH & RH	pass	1950-54
BAAA	702340	Striker plate LH & RH	comm.	1953-55
B5A	702340	Striker plate LH & RH	pass	1955
B6A	702340	Striker plate LH & RH	pass	1956
B6C	702340	Striker plate LH & RH	comm.	1956
B7A	702340	Striker plate LH & RH	pass	1957
BA	7022058	Shim striker plate	pass	1950-54
B5A	7022058	Shim striker plate	pass	1955-56
B7A	7022058	Shim striker plate	pass	1957-58
B6C	8122058	Shim striker plate	comm.	1953-56

**MISC DOOR PARTS**

A	46192B	Knob inside lock open roadster		1932-36
B	46355	Pin door hinge stainless steel	pass	1932-39
B	46355	Pin door hinge stainless steel	comm.	1932-50
B	46355L	Pin door hinge stainless steel 2-3/4"long	pass	1932-39
B	46355L	Pin door hinge stainless steel 2-3/4"long	comm.	1932-50
WRK	48105A	Repair kit window regulator small gear 5 tooth		1928-31
WRK	48105B	Repair kit window regulator small gear 6 tooth		1928-31
WAK	48105C	Repair kit window regulator small gear 6 tooth		1935-39
WAK	48105D	Repair kit window regulator small gear 6 tooth		1940-48
WRK	48105B	Repair kit window regulator small gear 10 tooth		1932-34
A	48105/6	Spring window regulator		1932-38
40	702267	Spring door latch	pass	1933-34
78	702267	Spring door latch late 1936	pass	1936-37
81A	702267	Spring door latch	pass	1938-40
11A	702267/8	Spring door latch	pass	1942-48
B	702268	Spring remote handle		1932-40
11A	702268	Spring remote handle		1941-48
B	702828	Check strap door metal arm type		1932-48
B	162592T	Door check strap flat "T" style		1932-36

**CYLINDER KEYS**

B	7121984	Door lock cylinder and keys not original no cover over keyhole		1924-48
48	702302	Door lock cylinder and keys 100% original repro.		1935-41
21A	702302	Door lock cylinder and keys 100% original repro.		1942-48
BA	3685A	Key blank ignition		1952-64
BA	3685A	Key blank door and boot lid		1952-64
BAAA	7022050S	Cylinder and keys matching door & ign. set	pass & comm.	1952-60
51AB	7121984	Door cylinder and keys all pick-ups and closed car		1935-48
B7A	7121984A	Door cylinder and keys right hand	comm.	1953-60
B7A	7121985	Door cylinder and keys left hand	comm.	1953-60



**EXTERIOR DOOR HANDLES**

B	702350	Handle exterior RH & LH except 3 window coupe		1932
40	702350/1 L	Handle exterior RH & LH 3 window coupe	pair	1932
40	702350/1 L	Handle exterior RH & LH closed car	pair	1933-34
40	702350/1 L	Handle exterior RH & LH all closed cars locking	pair	1933-34
46	702350	Handle exterior	comm.	1932-34
48	702350	Handle exterior	pass.	1935
50	702350	Handle exterior	comm.	1935-36
68	702350A	Handle exterior straight	pass std.	1936
68	702350B	Handle exterior curved	deluxe pass	1936
68	702350B	Handle exterior	comm.	1937
78	702350	Handle exterior	pass	1937
81A	702350A	Handle exterior trucks also 1938 std.	pass & comm.	1938-47
81A	702350B	Handle exterior	deluxe pass	1938
91A	702350	Handle exterior	pass	1939
99A	702350/1	Handle exterior RH & LH	Mercury	1939
51A	702350	Handle exterior	pass	1946-47
6A	702350	Handle exterior	pass	1947-48
7C	8122400	Handle exterior RH	comm.	1948-52
7C	8122401	Handle exterior LH	comm.	1948-52
B5C	8122400	Handle exterior RH & LH set	comm.	1953-56
B7A	8122400	Handle exterior RH	comm.	1957-58
7C	8122401	Handle exterior LH	comm.	1957-58



40 702350/1 L



68 702350 A



81A 702350 A

B	702356A	Pads exterior door handle open car	pair	1928-34
B	702356BS	Pads exterior door handle pair	pass	1928-34
B	702356BS	Pads exterior door handle pair	comm.	1928-36
48	702356	Pads exterior door handle pair	pass	1935-37
48	702356	Pads exterior door handle pair	comm.	1937-47
81A	702356	Pads exterior door handle	all pass	1938-39
99A	702356	Pads exterior door handle pair	Mercury	1939
0A	7022428	Pads exterior door handle 4piece	pass	1950-51
BA	7222428	Pads exterior door handle 4piece	pass	1952-56
B7A	7222428	Pads exterior door handle 4piece	pass	1957-58
B9A	7222428	Pads exterior door handle 4piece	pass	1959
C20Z	6222428	Pads exterior door handle 4piece	pass	1962-64
7C	8122428	Pads exterior door handle 2 piece	comm.	1948-52
BAAA	8122428	Pads exterior door handle 4 piece set	comm.	1953-60
B9A	8122428	Pads exterior door handle 4 piece set	pass	1959
B9A	8122428	Pads exterior door handle 4 piece set	F100-1100	1961-66
B5C	8125662	Emblem door custom cab pair		1955-56
B7C	8125662	Emblem door custom cab pair		1957-60
		Emblem door custom cab pair		1961-66



**INTERIOR DOOR HANDLES**

18 A	702400 A	Handle interior chrome set	Roadster	1932
B	702400	Handle interior chrome	pass	1932
40	702400E	Handle interior chrome	pass	1933-34
46	702400E	Handle interior chrome	comm.	1932-34
48	702400E	Handle interior chrome closed car &	comm.	1935
68	702400E	Handle interior chrome closed car		1936
68	702400E	Handle interior chrome	comm.	1936-37
78	702400E	Handle interior chrome	std. pass	1937
78	702400B	Handle interior plastic coated	deluxe pass	1937
81A	702400A	Handle interior chrome	std. pass	1938
81A	702400B	Handle interior plastic coated	deluxe pass	1938
81C	702400	Handle interior chrome	comm.	1938-47
91A	7022600A	Handle interior chrome	std. pass	1939
91A	7022600B	Handle interior plastic coated	deluxe pass	1939
99A	702400	Handle interior chrome	Mercury	1939
11A	702400	Handle interior chrome	pass	1941-48
7C	8122614	Handle interior	comm.	1948-52
BAAA	8122614	Handle interior specify year	comm.	1953-55
B5A	8122614	Handle interior specify year	pass	1953-56
COAZ	6422600			



40 702400 E



68 702400 E



B5A 8122614



18 A 702400 A  
(1932 Roadster)



**WINDOW WINDERS**

B	702780E	Window winder chrome		1932
40	702780E	Window winder chrome	pass	1933-34
46	702780	Window winder chrome	comm.	1932-34
48	702780E	Window winder chrome closed car &	comm.	1935
68	702780E	Window winder chrome closed car		1936
68	702780E	Window winder chrome	comm.	1936-37
78	702780A	Window winder chrome	std. pass	1937
78	702780B	Window winder plastic coated	deluxe pass	1937
81A	702780A	Window winder chrome	std. pass	1938
81A	702780B	Window winder plastic coated	deluxe pass	1938
81C	702780	Window winder chrome	comm.	1938-40
91A	702780A	Window winder chrome	pass std.	1939
91A	702780B	Window winder plastic coated	deluxe pass	1939
99A	702780	Window winder chrome	Mercury	1939
11A	702780	Window winder chrome	pass	1942-48
11C	702780	Window winder	comm.	1941-47
7C	8123342	Window winder interior	comm.	1948-52
		Window winder interior specify year	comm.	1953-60
		Window winder interior specify year	pass	1949-62
BAAA	8123342	Window winder interior	comm.	1953-55
B6C	8123342	Window winder interior	comm.	1956
CITZ	8123342	Window winder interior		



40 702780 E (1933-34)



B5A 7023342 AR (1951-56)

**ESCUTCHEONS & SPRINGS**

7C	48139E	Escutcheon interior stainless spring loaded	comm.	1948-52
BAAA	48139	Escutcheon interior stainless	comm.	1953-55
B6C	48139	Escutcheon interior stainless	comm.	1956
A	48284	Spring for escutcheon goes behind trim		1928-48
51A	7023404C	Escutcheon vent window crank tan	pass	1946-48
B	48139A	Escutcheon interior universal style spring loaded		1932
B	48139AS	Escutcheon interior chrome closed car		1932
40	48139AS	Escutcheon interior chrome closed car also	1935-37 comm.	1933-34
46	48139AS	Escutcheon interior stainless steel	comm.	1932-34
48	48139AS	Escutcheon interior chrome closed car		1935-36
78	48139	Escutcheon interior stainless steel	pass	1937
78	48139A	Escutcheon interior light brown	std.	1937
78	48139B	Escutcheon interior yellow/ brown	deluxe	1937
81A	48139	Escutcheon interior ivory	pass	1938
91A	48139	Escutcheon interior stainless steel	std. pass	1939
91A	48139B	Escutcheon interior yellow/brown	std. & deluxe	1939
91C	48139	Escutcheon interior spring loaded s/s	comm.	1938-47
11A	48139	Escutcheon interior spring loaded light tan	pass	1941-48
51A	48139C	Escutcheon interior spring loaded grey tan	pass	1941-48

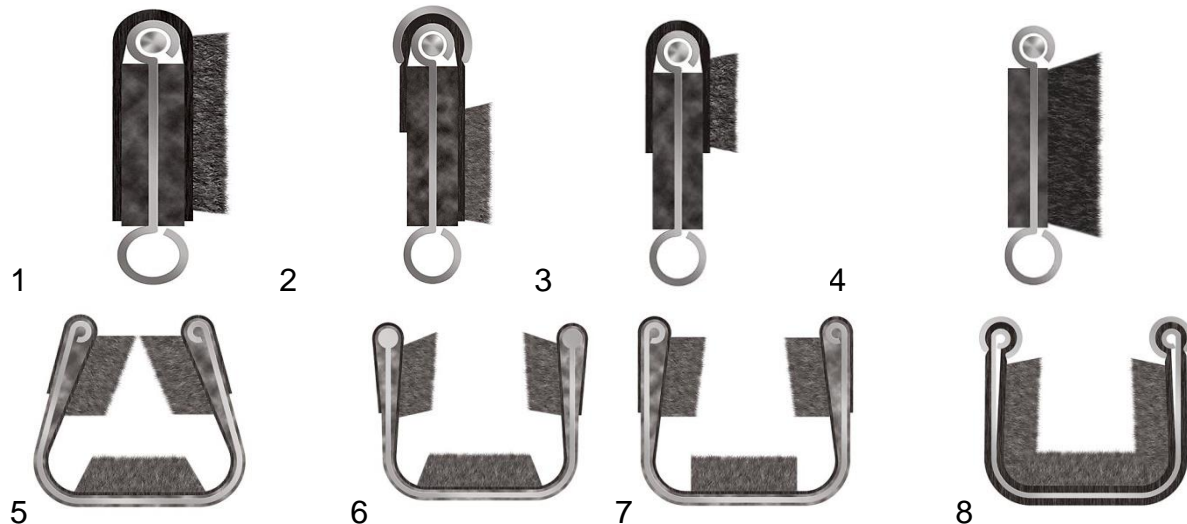
## WINDOW CHANNEL

### DOOR GARNISHES

78	7020988A	Door garnish insert fits into window surround pair		1937
78	7020988B	Door garnish insert fits into window surround	Deluxe	1937
81A	7020988	Door garnish insert fits into window surround	Deluxe	1938

### FLEXIBLE WINDOW CHANNELS

U	45983-1	Window channel flexible pile lining black bead cat whisker 2.4m lengths
U	45983-2	Window channel flexible pile lining s/s bead cat whisker 2.4m lengths
U	45983-3	Window channel flexible pile lining black bead cat whisker 2.4m lengths
U	45983-4	Window channel flexible pile lining s/s bead cat whisker 2.4m lengths
U	45983-5	Window channel flexible felt lining no bead U-shape 2.4m lengths
U	45983-8	Window channel flexible pile & lining s/s bead U-shape 2.4m lengths
U	45983-12	Window channel rigid pile lining s/s bead U-shape 2.4m lengths



### WINDOW CHANNEL SETS

All the window channel kits contain the correct channels cut to length with most fasteners installed and complete hardware provided unless noted otherwise. American made. Save time - energy - and money by using one of these ready to install kits

B	45983-5W	Window channel set	5 window coupe	1932
B	45983-4D	Window channel set	Front 4 door sedan	1932
B	56791	Window channel set	Rear 4 door sedan	1932
18	45983-5W	Window channel set	5 window coupe 2 & 4 dr front	1933
18	56791	Window channel set	Rear 4 door sedan	1933
40	45983-5W	Window channel set	5 window coupe	1934
40	45983-4D	Window channel set	Front 4 door sedan	1934
40	56791	Window channel set	Rear 4 door sedan	1934
48	45983-5W	Window channel set	5 window coupe & 4 dr front	1935-36
48	56791	Window channel set	Rear 4 door sedan	1935-36
78	45983-5W	Window channel set	5 window coupe & 4 dr front	1937-39
78	56791	Window channel set	Rear 4 door sedan	1937-38
81A	56791	Window channel set	Rear 4 door sedan	1939-40
11A	45983-5W	Window channel set	4 door front	1941-42

**WINDOW CHANNEL SETS CONT.**

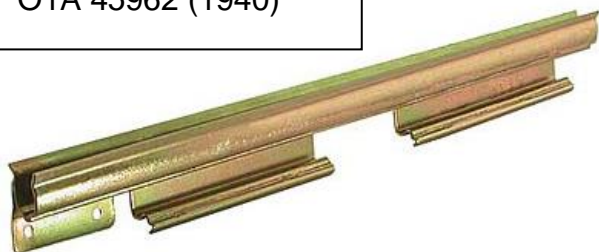
51A	56791	Window channel set	4 door rear & Mercury	1946-48
51A	45983-5W	Window channel set	Business coupe & 4 dr front	1946-48
51A	45983-2D	Window channel set	Club coupe & 2door	1946-48
50	45983-PU	Window channel set	Comm.	1935-37
81C	45983-PU	Window channel set	Comm.	1938-39
01C	45983-PU	Window channel set	Comm.	1940-41
21C	45983-PU	Window channel set	Comm.	1942-47
01C	WS407-PU	Wind lace set green	Comm.	1939-47

**METAL WINDOW CHANNELS**

SPECIFY YEAR & MODEL		FRONT OR REAR			
B	45962/3	Metal glass channel	right/left hand		1932-1-32
18	45962/3	Metal glass channel	right/left hand		1932-33
40	45962/3 A	Metal glass channel	right/left hand		1933
40	45962/3 B	Metal glass channel	right/left hand		1934
78	45962/3	Metal glass channel	right/left hand		1937-39
O1A	45962/3	Metal glass channel	right/left hand		1940
11A	45962/3	Metal glass channel	right/left hand		1941-48
A	45963 X	Glass bedding cork & rubber compound		1/16" x 10'	1932-48
7C	8121462	Channel LH or RH	specify year	comm.	1948-57
8A	7021458	Channel RH front door	specify year	pass	1949-59
8A	7021459	Channel LH front door	specify year	pass	1949-59
8A	7326228	Channel RH rear door	specify year	pass	1949-59
8A	7326229	Channel LH rear door	specify year	pass	1949-59

Metal Glass Channel

O1A 45962 (1940)



A 18200 B

**WIND WING BRACKET SETS**

A	18200 B	Wind wing bracket set diecast chrome	Open car	1930-35
A	18200 C	Wind wing bracket set diecast chrome	closed car	1928-34
68	18200	Wind wing bracket set diecast chrome	roadster	1936

## ROOF, DOOR & WINDOW SEALS

### DOOR SEAL KITS

Kit includes all door seals and door bumpers as originally fitted, except 1937-47 comm. kit includes a door jamb seal and 1942-47 comm. kit includes upper & door edge seals neither of which were originally fitted.

8A	7020530/1	Door seal kit pair		2 door	1949-51
B5A	7020530	Door seal kit pair		2 door	1955
B6A	7020530	Door seal kit pair		2 door	1956
B6A	7420530	Door seal kit pair		Mainline ute	1956
B7A	7020530	Door seal kit specify body no.		2 door	1957-58
BA	7020530	Door seal kit		2 door pass	1952-54
8A	7320530SET	Door seal kit		4 door	1949-51
B5A	7320530	Door seal kit		4 door	1955
B6A	7320530	Door seal kit set		4 door	1956
B7A	7320530	Door seal kit set		4 door	1957-58
8C	8120530/31	Door seal kit		comm.	1948-52
BAAA	8120530/31	Door seal kit		comm.	1953-55
B6C	8120530/31	Door seal kit		comm.	1956
C30Z	5420530	Door seal kit	Fairlane	4 door sedan	1962-64
C30Z	6220530	Door seal kit	Fairlane	2 door sedan	1962-64
C30Z	6520530	Door seal kit	Fairlane	2door hardtop	1963-65
C5ZZ	6520530	Door seal kit pair		Mustang	1964-66
C7ZZ	6520530	Door seal kit pair		Mustang	1967-68
C9ZZ	6520530	Door seal kit pair		Mustang	1969-70

### COMPLETE SEAL KITS

Kit includes the following if originally fitted. Door, boot handle & lock pads, front and rear window rubbers, vent window rubbers, quarter window rubbers, cowl vent seal, cowl & radiator to bonnet seals, bonnet rubber bumper kits, cowl to guard seals & fender welt, radiator shroud seals, head/tail/park light pads, floor seals, bumper arm grommets, petrol tank neck grommet, Firewall grommets, stone deflector seals.

### UNIVERSAL SEAL

Seal for doors, boot, cowl, radiator etc. on Hot Rods or where originally didn't have seals. USA made with pressure sensitive adhesive – just peel & stick

HR	701980S	Rectangular solid sponge 9.5mm x 4.75mm	6m roll/mtr
HR	701980L	Rectangular solid sponge 16mm x 9.5mm	6m roll/mtr
SR	701980S	Hollow core D 9.5mm x 5.5mm	6m roll/mtr
SR	701980L	Hollow core D 15.5mm x 9mm	6m roll/mtr



SR 701980



HR 701980



40 7043724



DOOR BUMPER RUBBERS

B	702610	Door rubber bumpers	pass	1932-36
B	702610	Door rubber bumpers	comm.	1932-52
78	702610	Door rubber bumpers	pass	1937-48
11A	702610	Door rubber bumpers uppers	pair	1941-48

LOWER DOOR SEALS

40	701980	Door seal kit lower	coupe/tudor/4 door sedan	1932-34
40	701980	Door seal kit lower	comm.	1935-36
46	701980	Door seal kit lower	comm.	1932-52
48	701980	Door seal kit lower	coupe & sedan	1935-36
78	701980	Door seal kit lower	coupe/tudor/4 door sedan	1937
81A	701980	Door seal kit lower	coupe/tudor/4 door sedan	1938-39
11A	701980	Door seal kit lower	coupe/tudor/4 door sedan	1941-48

DOOR JAMB SEALS

48	7020456/7	Door jamb seals all body styles pair		1935-36
78	7020456/7	Door jamb seals all closed cars pair		1937
81A	7020456/7	Door jamb seals all closed cars pair	also 1937-47 comm.	1938-40
11A	7020456/7	Door jamb seals all closed cars pair		1941-48

MISC DOOR RUBBERS

11A	7020548	Door edge seal lower back door edge		1941-48
11A	7020546	Door seal back door edge	2 door pass	1941-48
11A	7320546	Door seal back door edge	4 door pass	1941-48
B7A	7020580	Seal door inner dog leg	pair	1957-58
B9A	7020580	Seal door inner dog leg	pair	1959
C9ZZ	6520264	Door seal at belt	Mustang	1969-70
C5ZZ	6520588	Door seal rear upper	Mustang	1964-66
C7ZZ	6520588	Door seal rear upper	Mustang	1967-68

FRONT QUARTER WINDOW RUBBERSFront Door

11A	7021448/9	Seal vent 1/4 window pair	closed cars	1941-48
8A	7021448/9	Seal vent 1/4 window pair	closed cars	1949-51
B5A	7021448	Seal vent 1/4 window pair	pass & wagon	1955-56
B7A	7021448/9	Seal vent 1/4 window pair	specify body pass	1957-58
B9A	7021448/9	Seal vent 1/4 window pair	pass	1959
C20Z	6221448	Seal vent 1/4 window pair	Fairlane	1962-65
C5ZZ	6521448	Seal vent quarter window pair	Mustang	1964-66
C7ZZ	6521448	Seal vent quarter window pair	Mustang	1967-68
C5ZZ	6421450	Seal rear edge of vent seal pair	Mustang	1964-66

Rubber Only

7C	8121448/49	Seal front 1/4 window pair	comm.	1948-52
BAAA	8121448/9	Seal front 1/4 window pair	comm.	1953-55
B6C	8121448/9	Seal front 1/4 window pair	comm.	1956

FRONT QUARTER VENT REAR EDGE SEALRubber Only

7C	8121450/RM	Seal rear edge of vent window pair	comm.	1948-52
BAAA	7022296	Seal vent 1/4 window rear edge pair	comm.	1953-55
BAAA	8121450	Seal vent 1/4 window rear edge pair	comm.	1953-56
B6C	81211450	Seal vent 1/4 window rear edge pair	comm.	1956
8A	7021450	Seal vent 1/4 window rear edge pair	pass	1949-51
B5A	7021450	Seal vent 1/4 window rear edge pair	pass	1955-56

UPPER DOOR SEALS

40	7043724AS	Door seal kit upper pair	3 window coupe	1932
40	7043724AS	Door seal kit upper pair	coupe & tudor sedan	1933-34
40	7043724BS	Door seal kit upper pair	4 door sedan	1933-34
48	7043724AS	Door seal kit upper pair	coupe & tudor sedan	1935-36
48	7043724BS	Door seal kit upper pair	4 door sedans	1935-36
78	7043724AS	Door seal kit upper	coupe & tudor sedan	1937-48
78	7043724BS	Door seal kit upper	4 door sedan	1937-48

ROOF SEALS

B	7050920	Roof seal		1932
48	705018A	Roof seal	coupe	1935-36
48	705018B	Roof seal	sedans	1935-36

REAR WINDOW RUBBERS

B	704220	Window rubber not bonded 10' lengths	pass	1928-36
B	704220	Window rubber not bonded 10' lengths	comm.	1928-39
78	704220	Window rubber all except 1938 deluxe sedan pair		1937-38
78	704220	Window rubber coupe only	pair	1938-40
81A	704220	Window rubber deluxe & Mercury sedan	pair	1938-40
01C	704220	Window rubber	comm.	1940-47
11A	704220	Window rubber without groove for chrome Ford & Mercury		1941-48
19A	704220	Window rubber with groove for chrome Ford & Mercury		1941-48
8A	7042084D	Window rubber single groove for chrome		1949-51
0A	7042084	Window rubber double groove for chrome		1950-51
BA	7042084F	Window rubber groove for s/s 2 & 4 door	Customline	1945-52
B7A	7042084A	Window rubber custom 2 & 4 door sedan		1957-58
C20Z	6242084A	Window rubber 2 & 4 door sedan	Fairlane	1962-63
C40Z	6242084A	Window rubber 2 & 4 door sedan	Fairlane	1964-65
7C	8142084A	Window rubber	comm.	1948-50
1C	8142084	Window rubber	comm.	1951-52
BAAA	8142084	Window rubber use without wrap around back glass	comm.	1953-56
B6C	8142084	Window rubber use with wrap around back glass	comm.	1956

REAR QUARTER WINDOW SEALS

B	773540	Quarter window seal 10 ft roll			1928-41
B	773540S	Seal 1/4 window rear pair	5	window coupe	1932
40	773540S	Seal 1/4 window rear pair	5	window coupe	1933-34
48	773540S	Seal 1/4 window rear pair	5	window coupe	1935-36
78	773540S	Seal 1/4 window rear pair		coupe	1937-40
68	7329904	Seal 1/4 window rear kick out type		all pass	1936
81A	7329904	Seal 1/4 window rear opening pair		deluxe	1938-39
11A	773540S	Seal 1/4 window rear kick out type pair		all pass	1941-48
8A	73268	Rear door vent window seal		4 door	1949-51
8A	7021450	Back edge of vent window seal rear pair		4 door	1950-51
C5ZZ	6530146/7B	Seal 1/4 window front edge pair Mustang		coupe	1964-68
C5ZZ	7630146/7B	Seal 1/4 window front edge pair Mustang		conv.	1964-68

WINDSCREEN RUBBERS

46	7003110	Windscreen rubber	1928-34 comm. & closed car		1928-31
18	7003110	Windscreen rubber	closed car except 3 window coupe		1932
40	7003110	Windscreen rubber		closed car	1933-34
48	7003110	Windscreen rubber		comm. & closed car	1935-36
78	7003110	Windscreen rubber		comm. & closed car	1937-39
99A	7003110	Windscreen rubber		Mercury	1939
01C	7003110	Windscreen rubber		comm. & large trucks	1940-47
01A	7003110	Windscreen rubber		pass	1940-41
11A	7003110A	Windscreen rubber no chrome groove	kit	pass	1942-48
11A	7003110B	Windscreen rubber with chrome groove	kit	pass	1942-48
8A	7003110E	Windscreen rubber with single groove for chrome		pass	1949-50
0A	7003110	Windscreen rubber with double groove for chrome		pass	1950-51
BA	7003110F	Windscreen rubber with double groove for ch		closed car	1952-54
B5A	7003110	Windscreen rubber no groove for chrome specify body no.			1955-56
B5A	7003110H	Windscreen rubber with groove for chrome specify body no.			1955-56
B7A	7003110C	Windscreen rubber Custom 300 sedan			1957-58
B7A	6403110A	Windscreen rubber specify body no.			1957-58
B9A	7603110B	Windscreen rubber retractable & convertible			1959
B9A	6403110B	Windscreen rubber all except retractable & convertible			1959
C20Z	6203110A	Windscreen rubber all except 2 door hard top		Fairlane	1962-65
7C	8103116A	Windscreen rubber moulded like org. no ch groove		comm.	1948-50
1C	8103110	Windscreen rubber moulded like org. with ch groove		comm.	1951-52
BAAA8103110A		Windscreen rubber moulded like org.		comm.	1953-55
B6C	8103110A	Windscreen rubber moulded like org. no ch groove		comm.	1956
B6C	8103110B	Windscreen rubber moulded like org with ch groove		comm	1956
C5ZZ	6503110A	Windscreen rubber		Mustang	1965-68
BA	7003127	Seal garnish moulding to dash rubber		pass	1953-55
B6A	7003127	Seal garnish moulding to dash rubber		pass	1956
B7A	7003127	Seal garnish moulding to dash rubber		pass	1957-58
B9A	7003127	Seal garnish moulding to dash rubber		pass	1959

VENT WINDOW HANDLES

A9AZ	7022916SET	Vent window handle & button		pass	1949-56
8A	7022920	Vent window button kit only		pass	1949-56

## WINDSCREEN PARTS

### WINDSCREEN PARTS

B	37132	Pads windscreen post pair		1932
B	45463S	Slide arms windscreen pair	pass	1932
40	701348	Handle windscreen wind out	pass	1933-34
48	701348	Handle windscreen wind out	pass	1935
68	701348	Handle windscreen wind out	pass	1936
78	701348	Handle windscreen wind out	pass	1937
91A	7003120	Knob cover windscreen regulator	Ford pass & comm.	1939
40	701325	Windscreen wind out mechanism		1933-34
48	701325	Windscreen wind out mechanism		1935-36
78	701325	Windscreen wind out mechanism		1937-38
91A	701325	Windscreen wind out mechanism		1939
11A	37112SS	Windscreen division bar	pass	1941-48
01A	37112SS	Windscreen division bar	comm.	1940-47
91A	7003120B	Windscreen knob & cover	pass & comm.	1939
48	7603105	Pads windscreen post pair	open car	1935-36



40 701348



48 701348



68 701348



78 7013448

### WINDSCREEN FRAMES

A range of new reproduction windscreen frames are now being made in the USA. Please enquire as more years are becoming available. Price and availability ex USA upon request.

Windscreen frame second hand	not always available	1935-36
Windscreen frame second hand	not always available	1937-39

### WINDSCREEN GLASS

Ajay's can help you find replacement glass for your vehicle. We are now able to obtain a selection of glass windscreens so please enquire if your model type is available.

Please Contact Ajay's Ford V8 Parts for up to date Prices

[info@fordv8parts.com](mailto:info@fordv8parts.com)

07 212 8742

## BOOT & RUMBLE PARTS

### BOOT LID PADS

1A	7043531	Pad trunk handle	pass	1951
B5A	7043625B	Pad lock assemble to boot lid	pass	1955-57
C20B	6243625A	Pad boot lid lock cylinder sleeve also 1965	pass	1962-63
C40Z	6243625A	Pad boot lid lock cylinder sleeve pad	pass	1964

### BOOT LID HANDLES RELATED

B	13572	Pad boot lid handle base		1932-37
81A	13572	Pad boot lid handle base		1938-39
99A	13572	Pad boot lid handle base	Mercury	1939
11A	13572	Pad boot lid handle base		1942-48
29A	13572	Pad boot lid handle base		1942-48
B	702352C	Handle boot lid locking coupe with boot or rumble seat		1932-34
48	702352B	Handle boot lid locking coupe with boot or rumble seat		1935-36
78	702352	Handle boot lid locking all body styles		1937
11A	7043511	Handle boot lid locking all body styles		1941-48
8A	7043505A	Cylinder & keys boot handle	pass	1949



40 702352



48 702352



78 702352

### BOOT MATS

91A	700480A	Boot mat black rubber	coupe & conv.	1938-40
91A	700480B	Boot mat black rubber	sedan	1938-40
21A	700480A	Boot mat black rubber	coupe & conv.	1941-48
21A	700480B	Boot mat black rubber	sedan	1941-48
8A	7045462	Boot mat	closed car	1949-50
1A	7045462	Boot mat except 2 door hardtop	pass	1951
BA	7045462	Boot mat black rubber	pass	1952-54
B5A	7045455A	Boot mat burtex	pass	1955-56
B7A	7045455CC	Boot mat	pass	1957-58
B9A	7045455	Boot mat	pass	1959
C5ZZ	6545456	Boot mat	Mustang coupe & conv.	1964-68
C5ZZ	6345456	Boot mat	Mustang fastback	1964-68

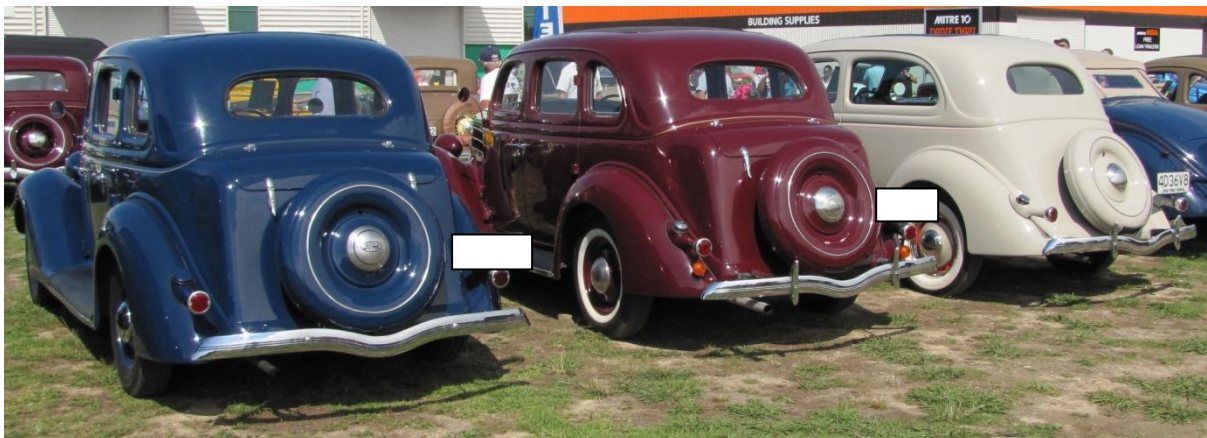


**BOOT SEALS**

40	713540	Seal boot or rumble lid		1932-34
48	713540	Seal boot coupe with boot		1935-36
48	713540A	Seal boot coupe with rumble		1935-36
48	713540B	Seal boot humpback sedan		1935-36
78	713540	Seal boot coupe		1937-48
78	713540	Seal boot sedan		1937-40
21A	7043720	Seal boot sedan		1941-48
8A	7043720	Seal boot		1949-51
8A	7043734	Seal goes on boot lid gutter lip		1949-51
BA	7043720	Seal boot		1952-59
C3AZ	6243720A	Seal boot	Fairlane	1962-64
C5ZZ	6443720	Seal boot	Mustang	coupe & conv. 1964-70
C5ZZ	6343720B	Seal boot	Mustang	fastback 1965-66
C7ZZ	6343720B	Seal boot	Mustang	fastback 1967-68
C9ZZ	6343720B	Seal boot	Mustang	fastback 1969-70
C5ZZ	6543634	Bumpers boot lid	Mustang	1965-66
C7ZZ	6543634	Bumpers boot lid	Mustang	1967-68

**BOOT & RUMBLE LID RELATED**

B	41484	Bumper kit rumble lid set		1928-34
B	41563	Step pad fits on rear fender on step plate bracket		1932-34
B	41572	Sep bracket fits on rear frame		1932
11A	7243800	Bumpers deck lid pair	coupe & conv.	1941-48
91A	7744236	Spring boot arm support		1939-48
11A	7744200	Support arm pair	coupe	1941-48
8A	3685B	Key blank boot lid lock		1949
0A	16675	Pad emblem	pass	1950-54
0A	7042514B	Emblem boot lid plastic	pass	1950-54
1A	7043500	Surround boot lid emblem	pass	1950-54
B8A	6442528	Boot lid Fairlane emblem		1958
0A	7042700/1	Pads boot hinges to body pair	pass	1950
8A	7042707	Pad boot lid hinge to body set	pass	1949
0A	7042707	Pad boot lid hinge to body set	pass	1950
8A	7043531	Pad boot lid handle to body set	pass	1949
0A	7043531	Pad boot lid handle to body	pass	1950
1A	7043531	Pad boot lid handle to body	pass	1951
BM	7043531	Pad boot lid handle to body	pass	1954
B5A	7043531	Pad boot lid handle to body	pass	1955
B5A	7043625	Pad lock assemble to boot lid pad		1955-57



## FLOOR

### FLOORBOARD SEALS & RELATED

V	80028	Floor board screw kit		state year
V	80030	Trans cover kit		state year
68	700364/5	Seal floor board pair	closed car	1935-36
78	700364/5	Seal floor board pair	closed car	1937-38
91A	7011508/SET	Seal floor board	Std. & deluxe	1939
11A	7011508	Seal floor board	pass	1941-48
78	7012125	Seal transmission cover to floor		1937-48
01C	8112125	Seal transmission cover to floor		1937-48
B	7012130	Seal trans top to trans cover		1930
40	7012130	Seal trans top to trans cover		1933-36
78	7012130	Seal trans top to trans cover		1937-39
51C	8112130	Seal trans top to trans cover	comm.	1942-47
11A	5015	Rubber floor drain plugs 4 pieces		1941-48
BAAA	8101645	Seal battery cover to floor	comm.	1953-55
B6C	8101654	Seal battery cover to floor	comm.	1956
91A	7011508/SET	Seal floor board	Ford & deluxe	1939
7C	8112125/SET	Seal transmission cover to floor	comm.	1948-52
48	700386	Bumpers brake & clutch pedal pair		1935-36
BAAA	8101645B	Seal battery hole cover to floor	comm.	1953-55
B6C	8101645	Seal battery hole cover to floor	comm.	1956

### STEERING COLUMN SEALS

40	35190	Seals pedal & steering tube	pass	1933-34
48	7001730/SET	Seals pedal & steering tube		1935-36
11A	7001730	Seal steering tube on top of floor mat	pass	1941-47
11A	7001731	Seal steering tube under floor mat	pass	1941-48
19A	7001731	Seal steering tube under floor mat	Mercury	1941-48
7C	3513	Seal steering column to floor mat	comm.	1948-52
BAAA	3513/SET	Seal steering column to floor mat	comm.	1953-56
C20Z	3513	Seal steering column to floor mat	pass	1962-65
7C	3673	Pads steering column to bracket	comm.	1948-52
TAAA	3693	Pads steering column to bracket	comm.	1953-56
19A	7001731	Seal steering tube under floor mat	Mercury	1941-48



**SCUFF PLATES**

Scuff plates are sold as pairs, please specify make, model, front & rear.

40	7713250/51	Scuff plates front 4 dr sedan & 5 window coupe	1933-34
40	7313262/63	Scuff plates rear 4 dr sedan	1933-34
48	7713250/51	Scuff plates front 4 dr sedan & 5 window coupe pair	1935-36
48	7313262/63	Scuff plates rear 4 dr sedan	1935-36
78	7313250/51	Scuff plates front 4 dr sedan & 5 window coupe pair	1937
78	7313262/63	Scuff plates rear 4 dr sedan pair	1937
81A	7713250/51	Scuff plates front 4 dr & 5 window coupe pair	1938-39
81A	7313262/63	Scuff plates rear 4 dr sedan comp. with lower seal pr	1938-39
11A	7013250	Scuff plates front club coupe Ford & Mercury pair	1941-48
11A	7713250	Scuff plates front sedan & bus. coupe Ford & Mercury	1941-48
11A	7313262	Scuff plates rear 4 dr sedan Ford & Mercury pair	1941-48
11A	7013224	Retainer lower dr seals club coupe pair	1941-48
11A	7313224	Retainer lower dr seals front 4 dr sedan & bus.coupe	1941-48
11A	7313252	Retainer lower dr seals rear 4 dr sedan pair	1941-48
8A	7313208	Scuff plates front 4 dr sedan pair	1949
8A	7313228	Scuff plates rear 4 dr sedan pair	1949
0A	7313208	Scuff plates front 4 dr sedan pair	1950
0A	7313228	Scuff plates rear 4 dr sedan pair	1950
B5A	7013208	Scuff plates all 2 dr & wagons pair	1955-56
B5A	7313208	Scuff plates front 4 dr sedans & wagons pair	1955-56
B5A	7313228	Scuff plates rear 4 dr sedan & wagons pair	1955-56
B7A	7313208	Scuff plates front 4 dr sedan specify model pair	1957-58
B7A	7313228	Scuff plates rear 4 dr sedan specify model pair	1957-58
B7A	7013208	Scuff plates 2 dr & wagons pair	1957-58
B9A	7313208	Scuff plates front 4 dr sedan pair	1959
B9A	7313228	Scuff plates rear 4 dr sedan pair	1959
C30Z	6213208	Scuff plates 2 dr	1962-64
C5ZZ	6513208	Scuff plates coupe & fastback Mustang	1964-68
C5ZZ	7613208	Scuff plates convertible Mustang	1964-68
C9ZZ	6513208	Scuff plates all Mustang	1969-70
C30Z	13212EMB	Name plate for scuff plate	1962-64
C60Z	13212EMB	Name plate for scuff plate	1966-69



## PATCH PANELS

Patch panels are now available for most make, model and year of Ford & Mercury vehicles with an ever expanding range. We have listed a range of panels, but not all. Please enquire with your specific requirements.

### SILL/ROCKER PANELS

40	41000HS	Rocker panel 5 window coupe pair		1933-34
40	41000DS	Rocker panel 4 door pair		1933-34
48	35267	Rocker panel pair	pass	1935-36
50	35267	Rocker panel pair	pickup	1935-37
78	35267	Rocker panel front only 4 dr pr	pass	1937-40
11A	35267	Rocker panel rear 4 door pair		1941-48
11A	7010110	Rocker panel pair	club coupe	1941-48
8C	8110110	Sill panels pair	comm.	1948-52
BAAA	8110110	Sill panels pair	comm.	1953-56
8A	7010130	Sill panels 2 door pair	pass	1949-51
8A	7310130	Sill panels 4 door pair	pass	1949-51
BA	7010128	Sill panels 2 door pair	pass	1952-56
BA	7310128	Sill panels 4 door pair	pass	1952-56
B7A	7610128	Sill panels 2 door pair	pass	1957-58
B7A	5810128	Sill panels 4 door pair	pass	1957-58
B9A	6310128	Sill panels 2 door pair	pass	1959
B9A	5810128	Sill panels 4 door pair	pass	1959

### BOOT RELATED

40	41000C	Patch panel below boot lid	coupe & roadster	1933-34
48	704054A	Lower boot panel outer	coupe	1935-36
48	704054B	Lower boot panel outer	humpback	1935-36
48	704054C	Lower boot panel outer	flatback	1935-36
78	704054A	Lower boot panel outer	humpback	1937-38
78	704054B	Lower boot panel outer	flatback	1937
91A	7740324	Lower boot panel	coupe	1939
91A	7040324	Lower boot panel except 38 std.	sedan	1938-40
6A	7040320	Lower boot panel	pass	1947-48
91A	7746100	Tool tray metal panel	coupe & conv.	1939-40
40	41000JS	Inner truck panel	cabriolet & coupe & roadster	1933-34
40	158	Rear trunk patch panel with hole for	tank sender unit	1933-34
40	157	Trunk patch panel 24"		1933-34
48	156	Trunk floor rumble seat riser	pass	1935-36
78	156	Trunk patch panel 2 pieces		1937-38
91A	156	Trunk patch panel	coupe & sedan	1939-40
11A	156	Trunk patch panel		1941-46

### REAR GUARD PATCH PANELS

81C	16314	Patch panel front section of rear guard R/H	comm.	1938-41
81C	16315	Patch panel front section of rear guard L/H	comm.	1938-41

**REAR CAB PANELS**

BAAA	8140302S	Patch panel cab rear lower corner R/H	comm.	1953-56
BAAA	8140303S	Patch panel cab rear lower corner L/H	comm.	1953-56
8A	70277816	1/4 patch panel wheel opening L/H R/H	pass	1949-51
B5A	40564	1/4 patch panel lower rear L/H R/H	pass 2 & 4 dr	1955-56
B5A	40567	1/4 patch panel lower front L/H R/H	pass 2 dr	1955-56
B7A	40564	1/4 patch panel lower rear L/H R/H	pass 2 & 4 dr	1957-58
B7A	40567	1/4 patch panel lower front L/H R/H	pass 2 dr	1957-58
B9A	40564	1/4 patch panel lower rear L/H R/H	pass 2 & 4 dr	1959
B9A	40567	1/4 patch panel lower front L/H R/H	pass 2 dr	1959

**REAR FENDER SKIRTS**

Fender skirts specify year	pass	1949-58
----------------------------	------	---------

**DOOR**

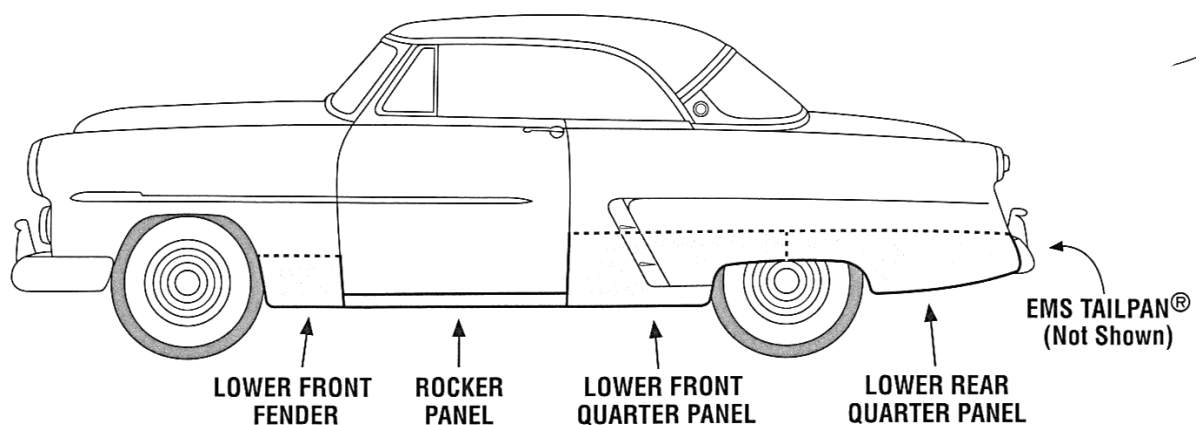
BAAA	8102042	Patch panel door pillar replacement R/H	comm.	1953-56
BAAA	8102043	Patch panel door pillar replacement L/H	comm.	1953-56
BAAA	8120124	Patch panel inner door bottom pair	comm.	1953-56
BAAA	8120200	Patch panel outer door bottom pair	comm.	1953-56
BAAA	8120712	Lower door seal retainer on door pair	comm.	1953-56

**LOWER BACK PANELS**

A9A	7040320	Lower back panel	pass	1949-51
-----	---------	------------------	------	---------

**COWL PANELS**

40	35260/61	Cowl patch panels pair	pass	1933-34
48	35260/61	Cowl patch panels pair	pass	1934-36
67	35260/61	Cowl patch panels pair	pick up	1935-37
7C	8102054	Cowl patch panel right hand	comm.	1948-52
7C	8102055	Cowl patch panel left hand	comm.	1948-52
BAAA	8102054	Cowl patch panel right hand	comm.	1953-56
BAAA	8102055	Cowl patch panel left hand	comm.	1953-56





**REAR QUARTER PANELS**

40	35265/66A	Rear 1/4 panels pair 5 window coupe	pair	1933-34
48	35265/66A	Rear 1/4 panels pair 5 window coupe	pair	1935-36
21A	35265/66A	Rear 1/4 panels	pass	1941-48

**CHAIN RUBBER**

7C	8144450S	Rubber fits over tail gate chain protects paint pr	comm.	1932-56
----	----------	--	-------	---------

**FLOOR PANELS**

APART FROM THE FULL FLOOR SECTIONS SHORTER FRONT AND REAR SECTIONS ARE AVAILABLE.

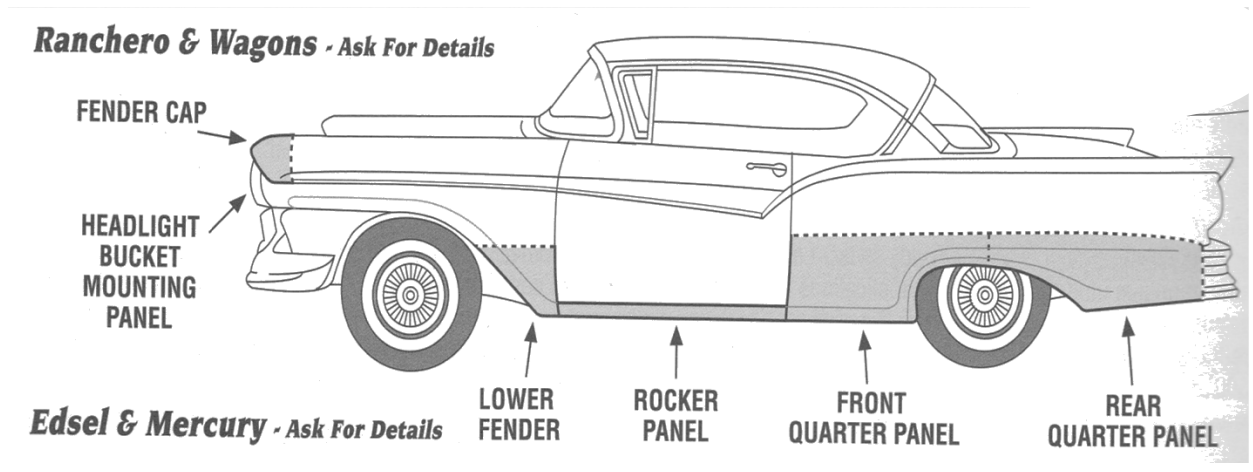
40	155	Front floor pan	pass	1933-34
40	156	Centre section L/H	pass	1933-34
40	156	Centre section R/H	pass	1933-34
48	155	Floor pan L/H 76 1/2" long	pass	1935-36
48	155	Floor pan R/H 76 1/2" long	pass	1935-36
78	155	Floor pan L/H 62" long	pass	1937-38
78	155	Floor pan R/H 62" long	pass	1937-38
91A	155	Floor pan L/H 62" long	pass	1939-40
91A	155	Floor pan R/H 62" long	pass	1939-40
01C	8111106	Floor pan R/H	comm.	1940-47
01C	8111107	Floor pan L/H	comm.	1940-41
21C	8111107	Floor pan L/H	comm.	1942-47
A9A	7011135	Floor pan full 55"longx28"wide L/H R/H	pass	1949-50
B1AZ	7011135	Floor pan front section 37"longx28"wide LH RH	pass	1951

**FRONT GUARD PATCH PANELS**

0A	16005	Front guard patch lower rear section L/H or R/H	pass	1949-51
B5A/B9A	16005	Front guard patch lower rear section 13" high		

**WINDOW SHADES**

7C	18246	Window shades specify year	comm.	1948-57
----	-------	----------------------------	-------	---------



## TRIM CLIPS

### TRIM CLIP SETS

48	20000	Trim clip set exterior 66 pieces	pass	1935
68	20000	Trim clip set exterior 46 pieces	pass	1936
81A	20000A	Trim clip set exterior full set	pass std.	1938
81A	20000B	Trim clip set exterior full set	pass deluxe	1938
91A	20000A	Trim clip set exterior full set	pass std.	1939
91A	20000B	Trim clip set exterior full set	pass deluxe	1939
11A	20000C	Trim clip set exterior full set	4 door	1941
21A	20000B	Trim clip set exterior full set	2 door	1942-46
21A	20000C	Trim clip set exterior full set	4 door	1942-46
6A	20000A	Trim clip set exterior full set	4 door	1947-48
8M	20000A	Trim clip set exterior full set	Mercury	1947-48
8C	20000A	Trim clip set exterior full set	comm.	1948-52
B	20015	Trim clip set door upholstery 50 pieces		1952-59
01A	20016	Trim screw kit interior reveals specify year	pass	1949-51
B7A	20016	Trim screw kit interior reveals specify year	pass	1952-59



11A 20000 C



21A 20000 C



21A 20000 B



81A 20000 A

### PART CLIP SET

40	20001	Trim clip set grille	pass	1934
48	20001	Trim clip set grille	pass	1935
68	20001	Trim clip set grille center		1936
6A	20001	Trim clip set front splash apron Ford only	pass	1947-48
6A	20005	Trim clip set body side trim Ford only	pass	1947-48
11A	20007	Trim clip set window reveal straight section	coupe	1942-46
11A	20008	Trim clip set window reveal curved section	coupe	1942-46
11A	20009	Trim clip set window reveal straight section	sedan 4 dr	1942-46
11A	20010	Trim clip set window reveal curved section	sedan 4 dr	1942-46
21A	20011	Trim bolt set mudguard 38 pieces		1942-46
6A	20011	Trim bolt set mudguard Ford only		1942-46
B	20015	Trim clip set door upholstery 50 pieces		1932-48

INTERIOR TRIM SCREW KITS

B	80906A	Interior trim screw kit 223 piece	sedan	1932
B	80906B	Interior trim screw kit	Victoria	1932
40	80903B	Interior trim screw kit	coupe	1932
40	80906E	Interior trim screw kit	sedan	1933-34
48	80903C	Interior trim screw kit	coupe	1935-36
48	80905C	Interior trim screw kit	sedan	1935-36
78	80902D	Interior trim screw kit	coupe	1937
78	80904C	Interior trim screw kit	sedan	1937
81A	80901E	Interior trim screw kit	coupe	1938-39
81A	80903E	Interior trim screw kit	sedan	1938-39
11A	80901H	Interior trim screw kit	coupe & Tudor	1942-48
11A	80902H	Interior trim screw kit	sedan	1942-48



## HARDWARE

### MECHANICAL HARDWARE

B	3036	Nut perch bolt	all models	1928-48
81T	3036	Nut perch bolt	large trucks	1938-39
B	4634	Nut pinion bearing retainer	pass	1928-32
18	4634	Nut pinion locking		1932-38
	352581S	Lock pin clutch thrust bearing lever		1928-50
	356074S	Nut starter rear axle shaft		1932-48
B	11382	Screw spring to shaft end pinion		1932-54
48	80003B	U bolt nut front and rear 4 piece		1935-48
B	1012	Wheel nut		1932-58
91A	2077A	Bolt master cylinder outlet fitting		1939-48
	356074S	Nut rear axle shaft		1932-48
	350816S	Stud flywheel to crankshaft		1938-53
	88393S	Stud exhaust manifold		1938-53
B	11382	Screw spring to shaft end pinion		1932-54

### BRAKE HARDWARE

91A	2133	Nut brake pipe	all models	1939-48
91A	2150	Bolt connects front brake hose to brake pipe union	pass	1939-48
91A	2150	Bolt connects front brake hose to brake pipe union	P.U	1939-41
8M	2150	Bolt connects front brake hose to brake pipe union	pass	1949-51/56-57
8M	2248	Bolt brake backing plate to rear axle	pass	1949-54
91T	2276	Bolt rear wheel brake cylinder connection trucks except 122"		1939-47

### ENGINE HARDWARE

68	6345	Stud crankshaft main bearing cap 90 & 100HP	pass	1936-48
68	6345	Stud crankshaft main bearing cap 90 & 100HP	comm. & lg tr	1936-47
B	6376	Bolt flywheel to crankshaft		1932-53
18	6212	Nut connecting rod 90 & 100HP castle type nut		1932-47
B	11377	Screw spring to head starter drive		1932-54
	74113S	Frost plugs engine lower 4 required		1932-53
	20406S	Stud inlet manifold		1932-54
	350400S	Stud cam gear to cam shaft		1939-53
	351428	Washer set flat cylinder head 48 pieces		1932-54
	350816S	Stud flywheel to crankshaft		1938-53
	88393S	Stud exhaust manifold		1938-53
7HA	6345	Stud crankshaft main bearing cap		1949-54
7HA	6212	Nut conrod V8 side valve as required require lock tabs		1948-51
	351529S	Thrust washer cluster needle bearings 4 required		1949-54
	352581S	Lock pin clutch thrust bearing		1928-50

### HEADLAMP HARDWARE

B	13119BK	Bolt head light bar to fender black	pass & comm	1932
B	13119SS	Bolt head light bar to fender stainless	pass & comm.	1932
40	13119BK	Bolt head light bar to fender black	pass & comm.	1933-34/37
40	13119BK	Bolt head light bar to fender black hollow	pass & comm.	1933-34/37
40	13119SS	Bolt head light bar to fender stainless hollow	pass & comm.	1933-34/37
40	13119BK	Bolt head light bar to fender stainless		1933-34/37

MUDGUARD & RUNNINGBOARD HARDWARE

B	16007	Bolt kit rear fender for pickup special bolts washers & nuts		1932-48
48	16007S	Bolt kit for fender mounting no washers		1935-36
48	16008SK	Washer kit for fender mounting 28 pieces		1935-36
91A	16008SK	Washer kit for fender mounting 60 pieces		1939-40
91A	16084	Bolts front inner fender apron bolts	pass deluxe	1939
78	16453S	Bolt kit running board no nuts supplied 24 pcs	pass & comm.	1935-48
7C	16455S	Bolt kit running boards 26 bolts	comm.	1948-52
21A	16458S	Running board to frame rubber grommet & washer kit 24 pcs		1942-48
BAA	16455S	Bolt kit running boards 18 bolts	comm.	1953-56
BAAA	16460S	Bolt kit rear of mudguard to running board 2 pc	comm.	1953-56

BONNET HARDWARE

91A	16610	Bolts bonnet hinge stepped like original pair	pass & comm.	1939-48
91A	16612	Bolt bonnet support arm pair	pass	1939-48
91A	16612	Bolt bonnet support arm pair	comm.	1940-47
91A	16796HK	Hardware kit bonnet hinge bracket studs & wires		1937-41
8A	16798S	Bolt bonnet hinge	pass	1949-53
8A	16798S	Bolt bonnet hinge	comm.	1953-55
B6C	16798S	Bolt bonnet hinge	comm.	1956

GENERAL HARDWARE

B	1012	Wheel nut		1932-58
A	3610	Nut steering wheel		1928-41
B	3731	Screw ignition column twist off locking screw		1932-48
B	8006A	Door hinge screws sets of 3		1932-34
B	8006D	Door hinge screws sets of 3		1935-40
B	803116C	Door hinge screws sets of 3		1935-40
A	702350SKM	Screws exterior handle set		1928-40
V	80028C	Floor board screw kit 28 piece		1933-40
B	37111SK	Screw kit windscreen frame		1928-34
48	37111SK	Screw kit windscreen frame		1935-39
A	3110A	Caged nuts 1/4" general application		
A	3110B	Caged nuts 5/16" general application		
A	3110C	Caged nuts 3/8" general application		
1A	13449S	Tail lamp lens screw kit	pass	1951
B5A	13449S	Tail lamp lens screw kit	pass	1955
B7A	13449S	Tail lamp lens screw kit	pass	1957
B8A	13449S	Tail lamp lens screw kit	pass	1958
B9A	13449S	Tail lamp lens screw kit	pass	1959
B	703536	Screws window channel cat whiskers kit		1928-48
48	703536A	Window channel clips punch in style 25 pieces		1935-40

Please Contact Ajay's Ford V8 Parts for up to date Prices

[info@fordv8parts.com](mailto:info@fordv8parts.com)

07 212 8742



## UPHOLSTERY

All items are made specific to order for you. Prices vary with your choice of fabric and your cars body type. Please allow extra time for the making of your new, high quality interior.

### HOOD LININGS

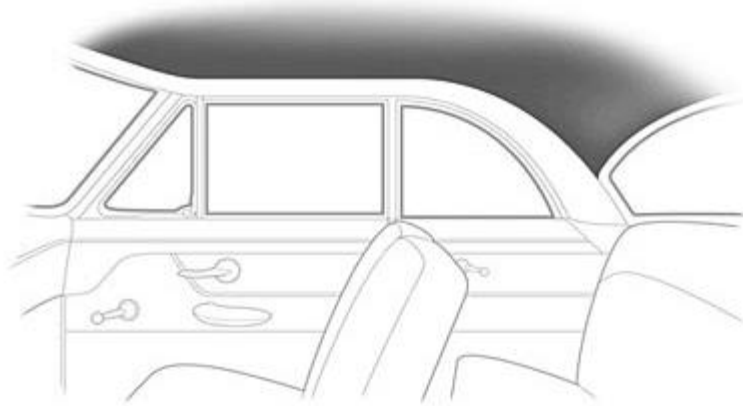
Made from original grained flexible panel board & sewn like original

PLEASE ENQUIRE ABOUT OTHER COMMERCIAL YEAR HOOD LININGS & COLOURS

HDL	1	Hood lining kit	Commercial only	Black	1938-39
HDL	2	Hood lining kit	Commercial only	Black	1940-47
HDL	2	Hood lining kit	Commercial only	Red	1940-47
81	51968	Hood lining kit Wind Lace	commercial	Grey	1953-55

Also available for your car or pick up is a range of Head/Hood liners rear window panels and kick panels in a variety of colours to suit your make & model.

1949-59 Hood liners are available in a range of fabric including perforated vinyl, cloth and textured vinyl, like original in 5 or 7 bow to suit you model and year. Your inquiry is welcome.



### INTERIOR UPHOLSTERY

Complete 1932-1948 Early V8 Ford interiors are a specialty for our supplier. Ford Early V8 upholstery kits for the restoration of a 1932-48 Ford Roadster, Phaeton, Cabriolet, Convertible Sedan and Convertible Coupe. All kits can be ordered with a variety of authentic or non-authentic fabrics and each complete antique Ford upholstery kit are created in the U.S. and feature excellent quality materials and workmanship.

New for 1949-53 Coupes, Tudors, Fordors, Convertible, Victoria & 1954 Fordor!

49-54 upholstery kits are created in the USA and are available in selected original fabrics.

All of the upholstery kits include the following: sewn seat covers, interior trim panels, windlace, headliner, arm rest covers, carriage arm covers, cotton padding, jute padding and the installation hardware.

#### Also available:

Door Trim Panels  
Sun Visors

Under Dash Cowl Kick Panels  
Rear Window parcel Tray

Heel Panels  
Upper Quarter Trim Panel Covers

If you prefer to have your new interior made by your Auto Upholstery specialist a selection of fabric is available by the yard direct from the USA. Please call to discuss your requirements.

### TRUNK PANEL SETS

All sets contain 3 panels, except 1935 and 1936, which have 5 panels. The panels have colored, embossed textured faces. They are installed with screws and washers, which are included with each set.

### CARPET

All carpets are bound, stitched & ready to install. Pedal, transmission and emergency brake positions are cut out as required for each year and body style (1932 - 1934). 1935 - 1948 Fords only had carpet in the rear of the car. Fastening hardware is not included.

Items Not Included:

Front carpets from 1935 through 1936 and rear carpets from 1935 and 1936 had fasteners that attach to the carpet and the body. These are not included but are available as individual pieces.

### FLOOR MATS

Carpet Floor Mats Sets are available in 10 colour choices to match your car. Your mats can be embroidered with a logo to suit, available are: *FORD* Script, GALAXIE, FAIRLANE, RANCHERO, V8 or FORD CREST.

### SEAT & FLOOR CONSOLES

We have consoles available to fit snugly around your gear shifter or for the floor of your V8. They have 2 drink holders & the longer designs have a storage bin, which can easily hold a box of tissue or your favorite CDs. The bottom is non-skid, so it won't slide around while you are cruisin'. Because it does not hard-mount to your vehicle, it can be removed quickly & tucked away during judging. These are available in black naugahyde only. Prices range from \$150-200.00 each.



### SPARE TYRE COVER

V	1395V18	Spare Tyre Cover 18" vinyl with FORD oval	Black or Tan	1932-34
V	1395V16	Spare Tyre Cover 16" vinyl with FORD oval	Black or Tan	1935-48

